

100x100	100x400
100x200	200x400
200x200	300x400
200x300	400x400
300x300	400x600



CAUTION: DO NOT EXCEED  
RATED LISTED WEIGHT. SERIOUS  
INJURY OR PROPERTY DAMAGE  
MAY OCCUR!

DWD520

**PART LIST**

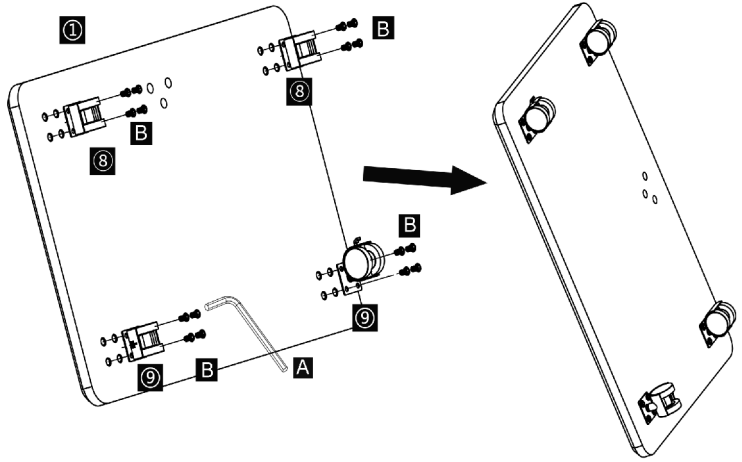
		Plastic Washer
		Steel Washer

	① X1		⑧ X2
	② X1		⑨ X2
	③ X1		⑩ X1
	④ X1		⑫ X1
	⑤ X2		⑬ X1
	⑥ X1		
	⑦ X1		

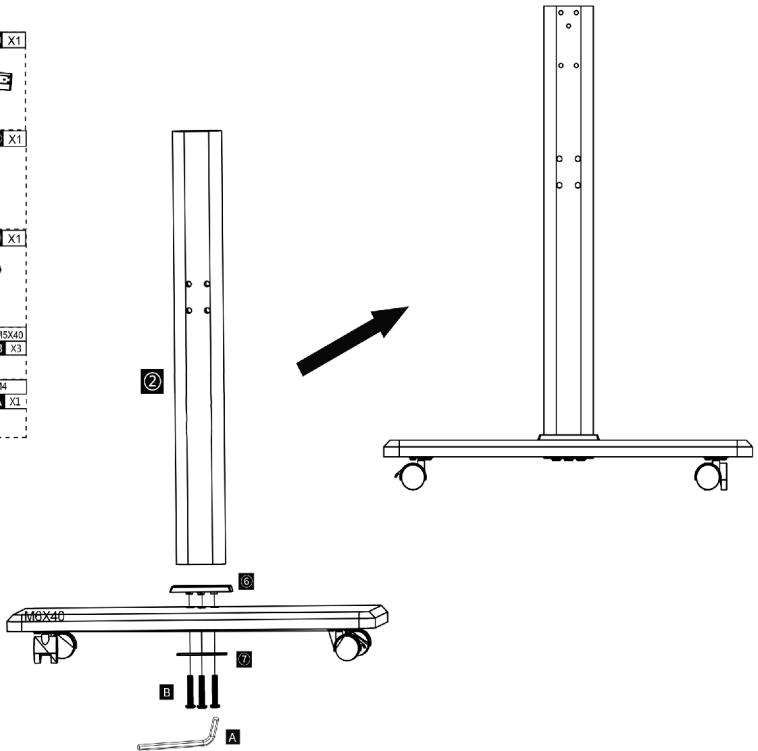
	M4 A X1		M5x40 E X2
	M5 F X1		M4x16 F X4
	A X1		M5x25 F X4
	M5x12 B X16		M6x25 F X4
	M6x40 B X3		M8x25 F X4
	M6x50 C X4		M4 C X4
	M6 C X4		M10 C X4
	M6x40 D X4		
	M6x20 D X4		

3

- ⑧ X1
- ⑧ X2
- ⑨ X2
- M5X12  
B X16
- M4  
A X1

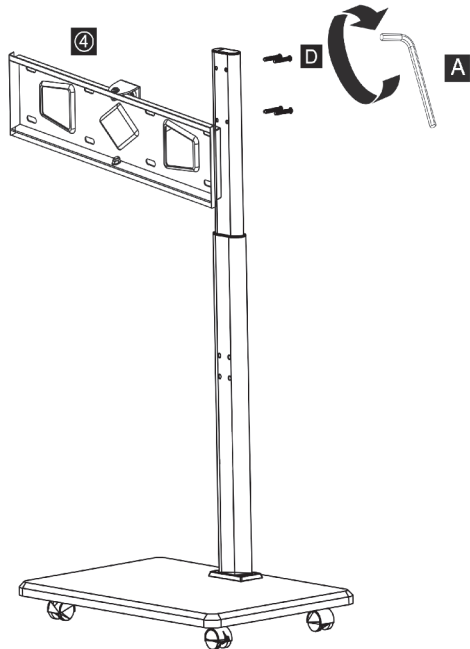
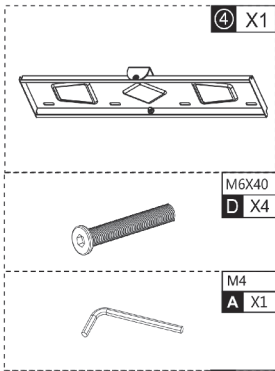
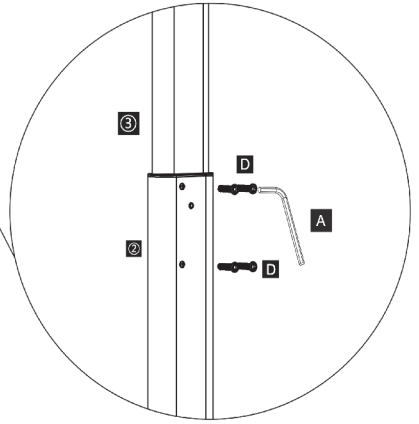
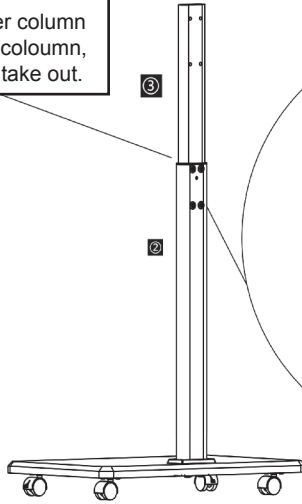
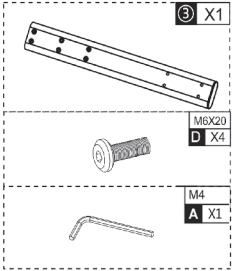


- ② X1
- ⑥ X1
- ⑦ X1
- M5X40  
B X3
- M4  
A X1

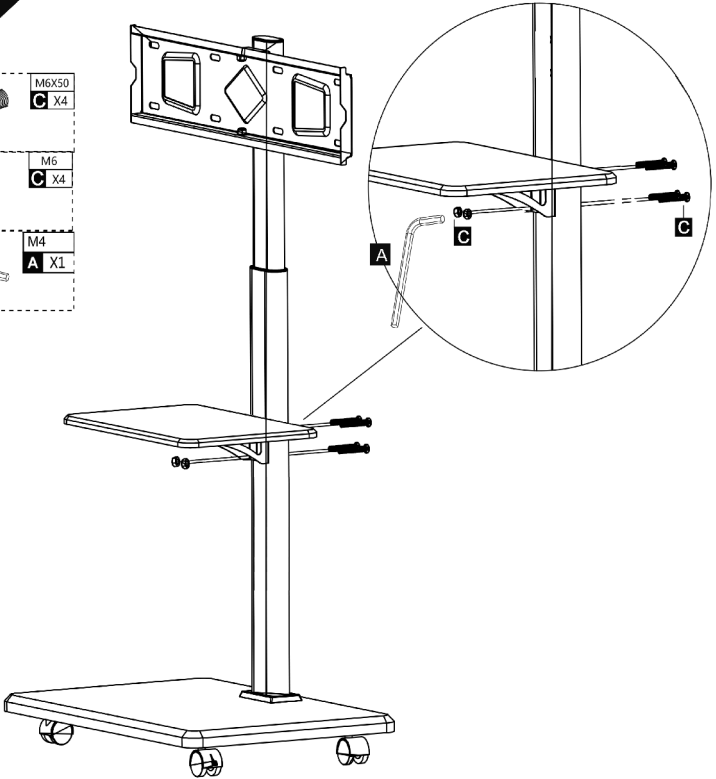
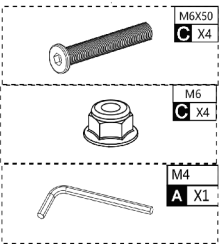
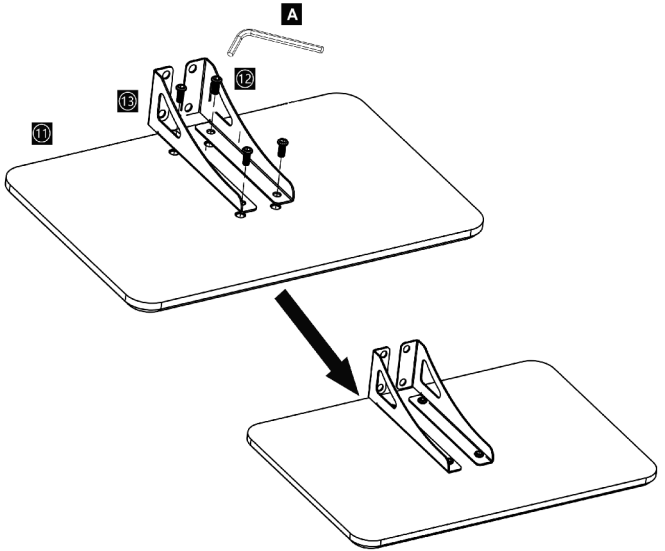
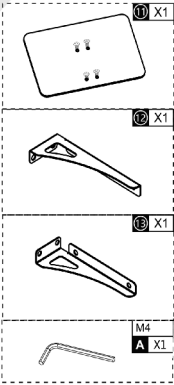


4

Caution: If the upper column falls into the lower column, it will be difficult to take out.

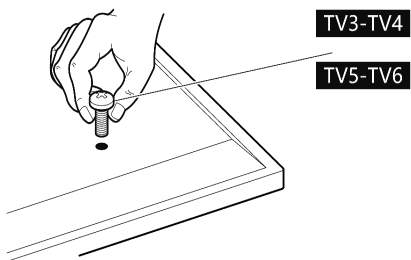
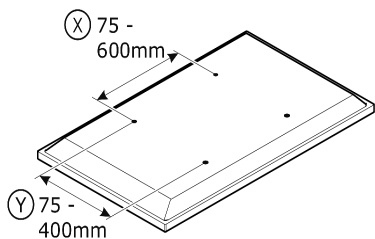


5



6

Measure the TV fixing holes Width and Height



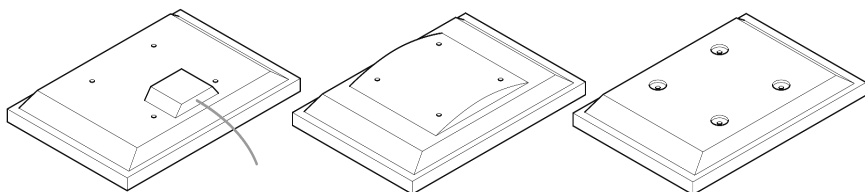
If width (X) is greater than 600mm or height (Y) greater than 400mm STOP installation now and contact the customer help line

You are provided with 4 diameters of TV fixing screws, **M6** and **M8**. Determine the screw diameter that fits.

Spacers

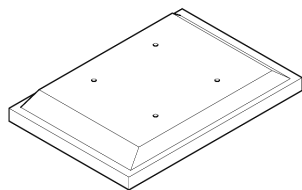
SP

For TVs with irregular/obstructed back



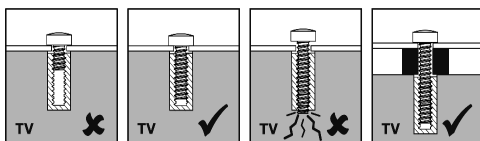
No Spacers

For TVs with flat/unobstructed back



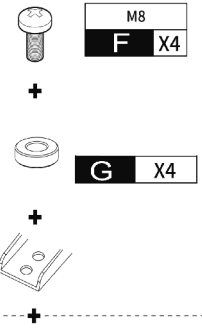
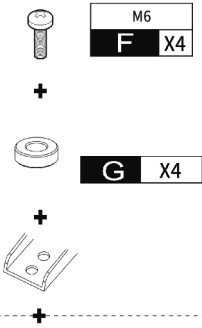
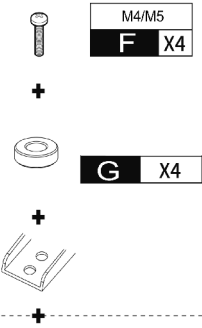
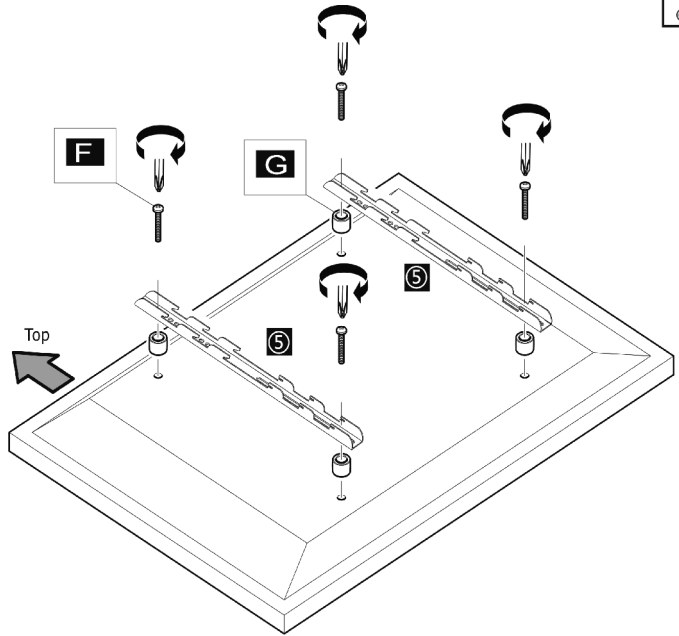
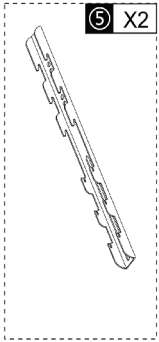
WARNING

please keep for future reference.



7

NOT INCLUDED



Attach the bracket to the back of your TV using suitable screw, reducer and spacer combinations.

8

NOT INCLUDED 

