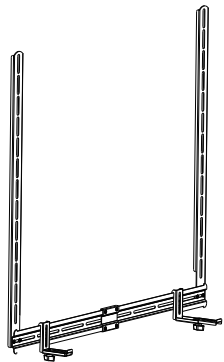
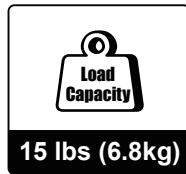


INSTALLATION INSTRUCTION

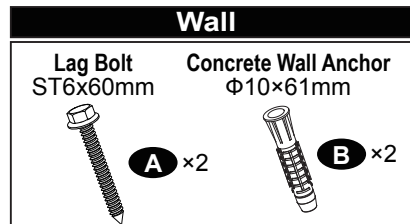
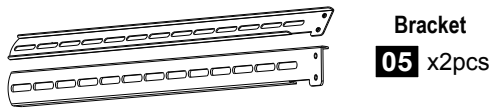
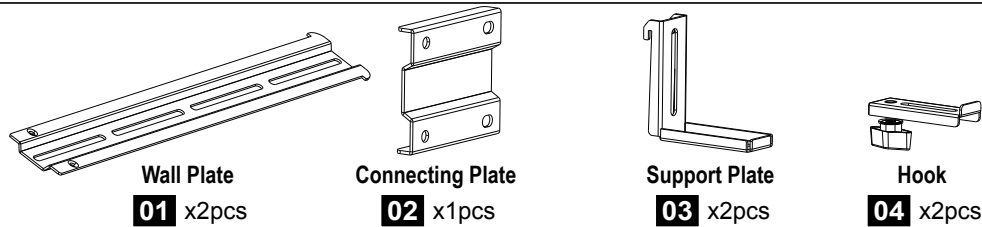


DWD715

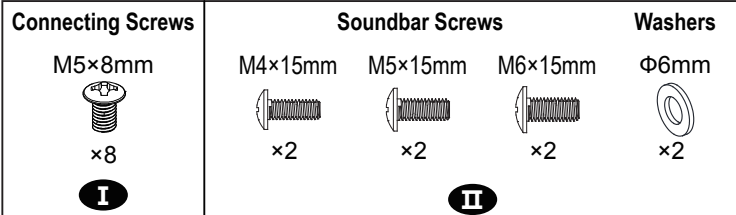


WARNING:
DO NOT exceed the maximum weight indicated.

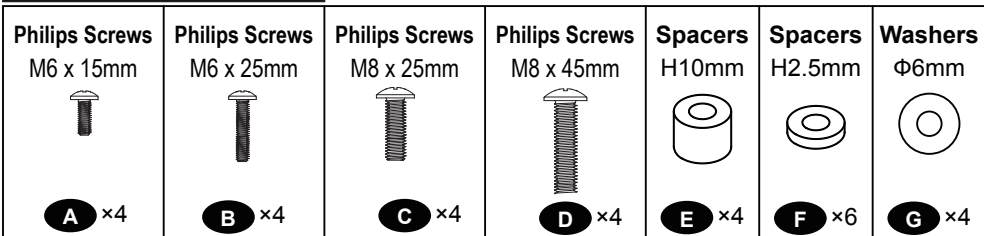
Supplied Parts and Hardware



Soundbar & Bracket

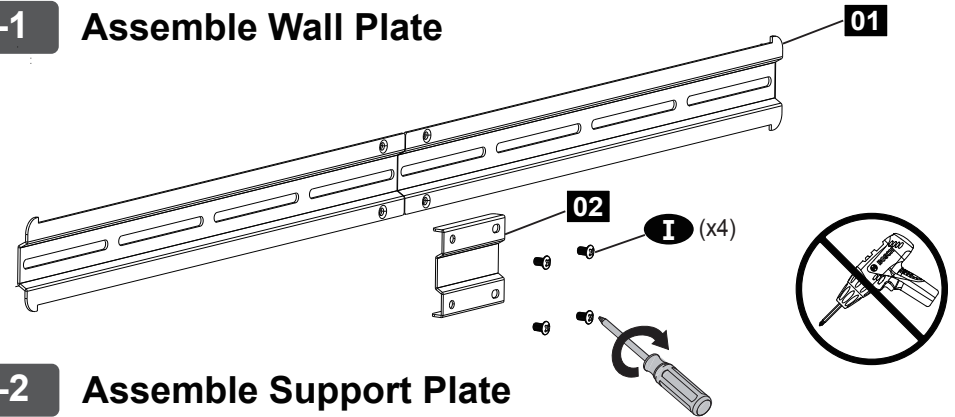


TV **NOTE:** Not all parts and hardware included will be used.

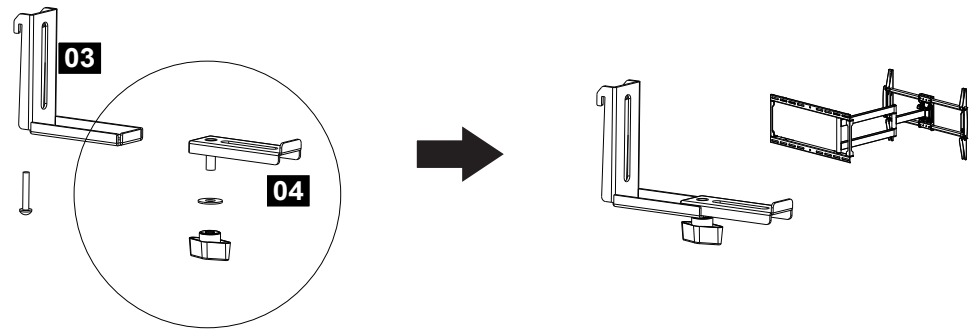


1 Assemble Wall Plate and Support Plate

1-1 Assemble Wall Plate

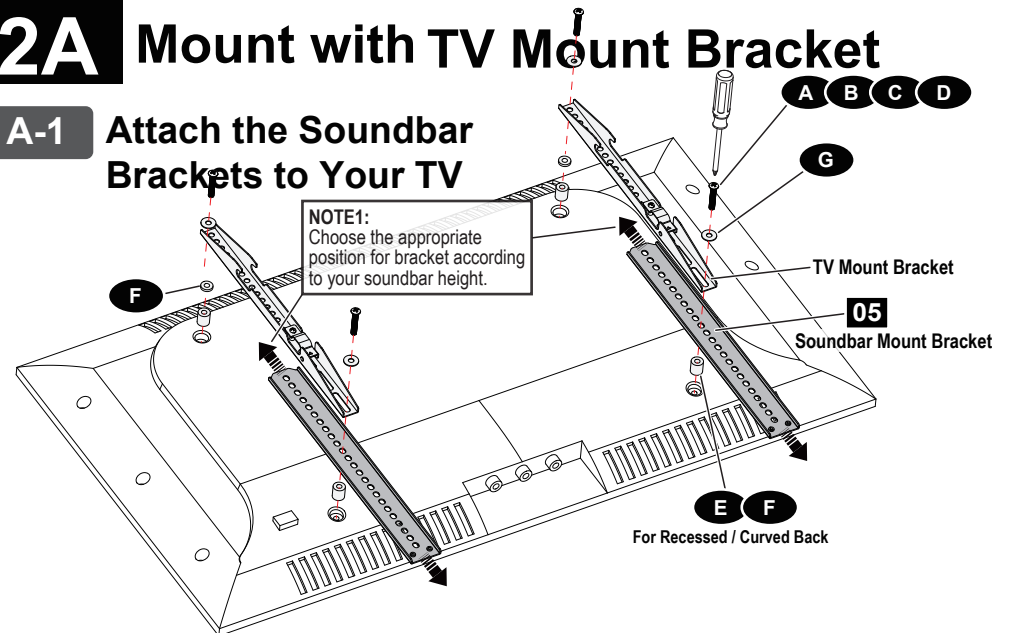


1-2 Assemble Support Plate



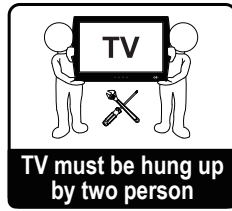
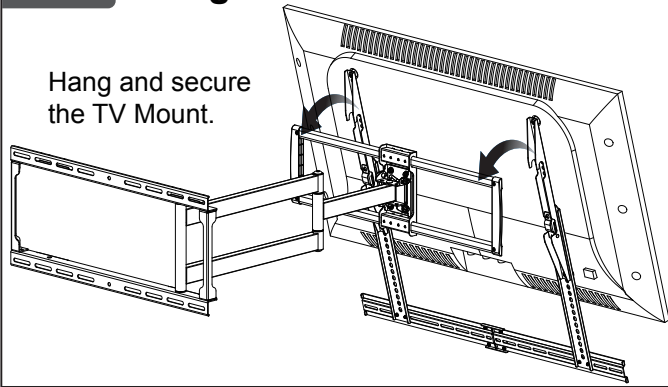
2A Mount with TV Mount Bracket

A-1 Attach the Soundbar Brackets to Your TV



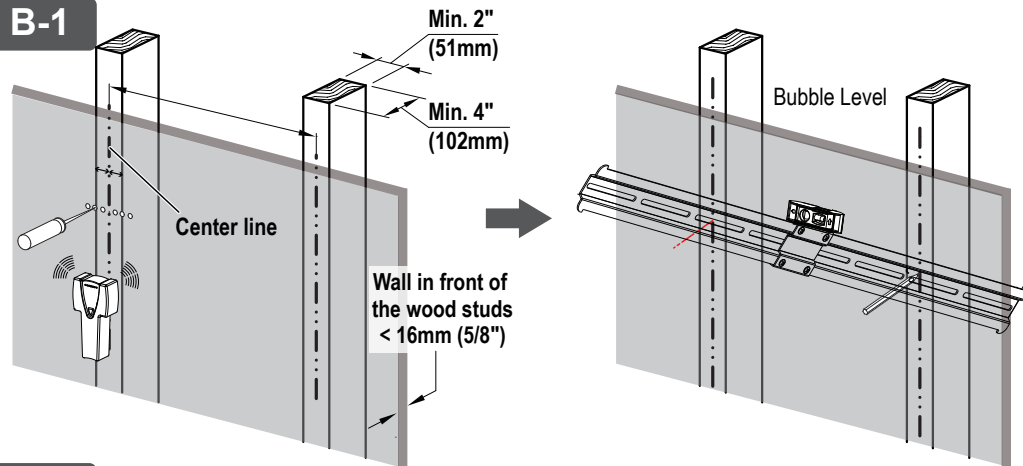
A-2 Hang the Whole Assembled Unit to the TV Mount

Hang and secure the TV Mount.

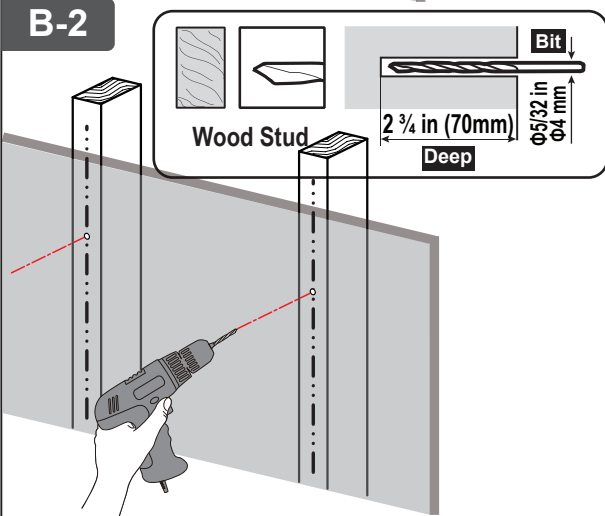


2B Mount on the Wood Stud

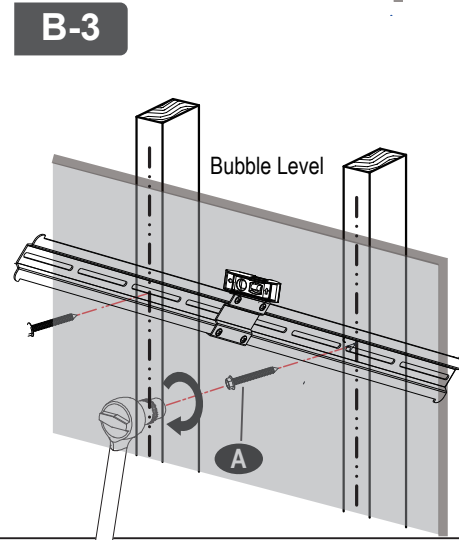
B-1



B-2

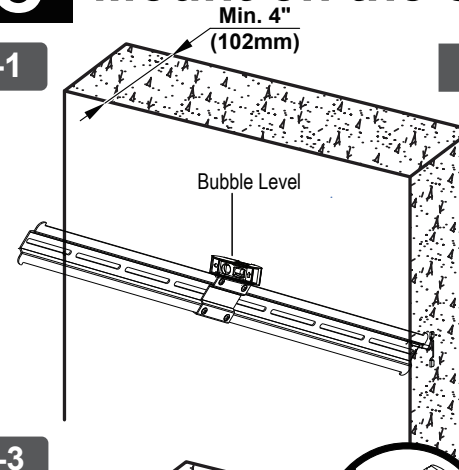


B-3

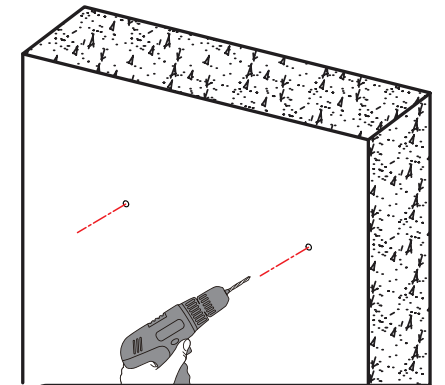


2C Mount on the Solid Concrete Wall

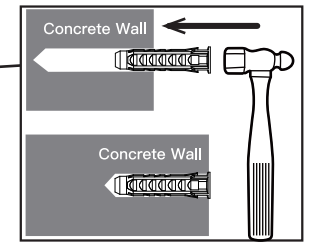
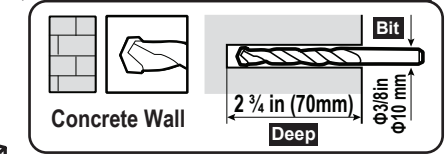
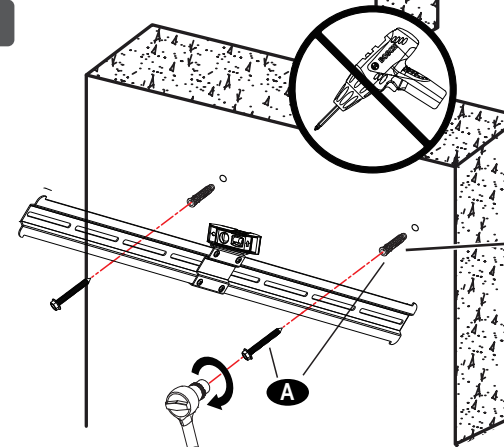
C-1



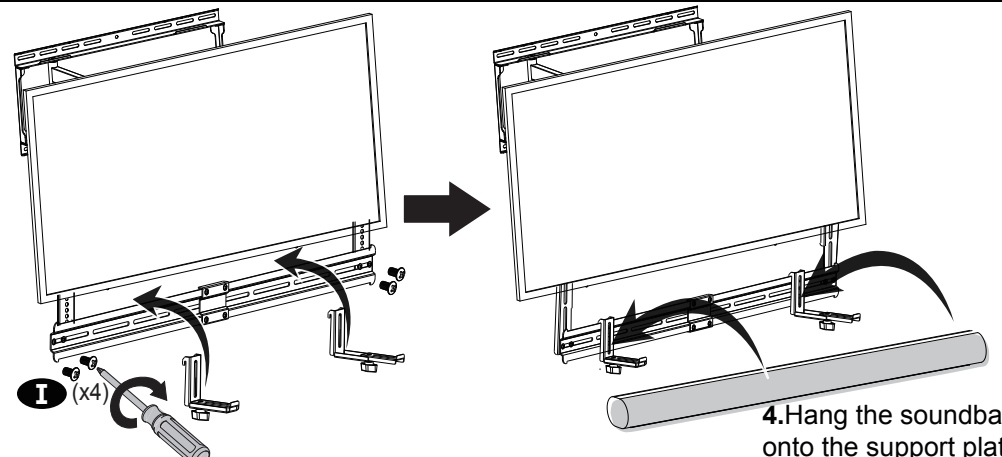
C-2



C-3



3 Hang the Soundbar to Support Plate



4. Hang the soundbar onto the support plates.