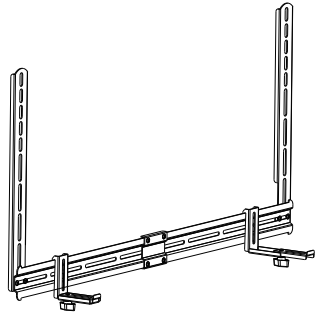
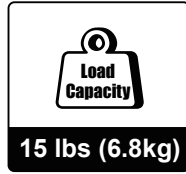


INSTALLATION INSTRUCTION

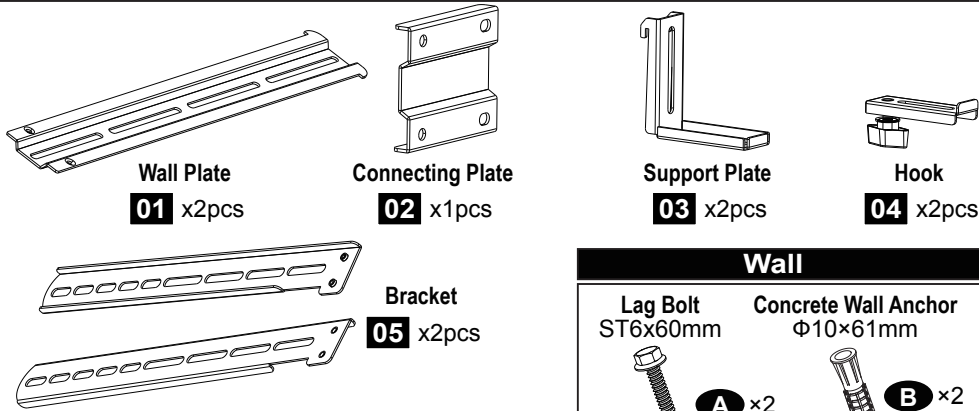


DWD714















WARNING:
DO NOT exceed the maximum weight indicated.

Supplied Parts and Hardware



Soundbar & Bracket

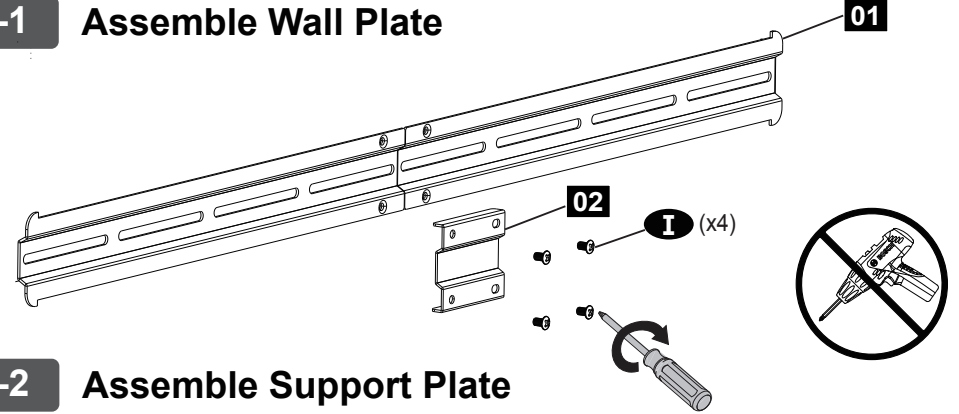
Connecting Screws	Soundbar Screws			Washers
M5×8mm	M4×15mm	M5×15mm	M6×15mm	Φ6mm
				
x8	x2	x2	x2	x2
I	II			

TV						
Philips Screws M6 x 15mm	Philips Screws M6 x 25mm	Philips Screws M8 x 25mm	Philips Screws M8 x 45mm	Spacers H10mm	Spacers H2.5mm	Washers Φ6mm
						
A x4	B x4	C x4	D x4	E x4	F x6	G x4

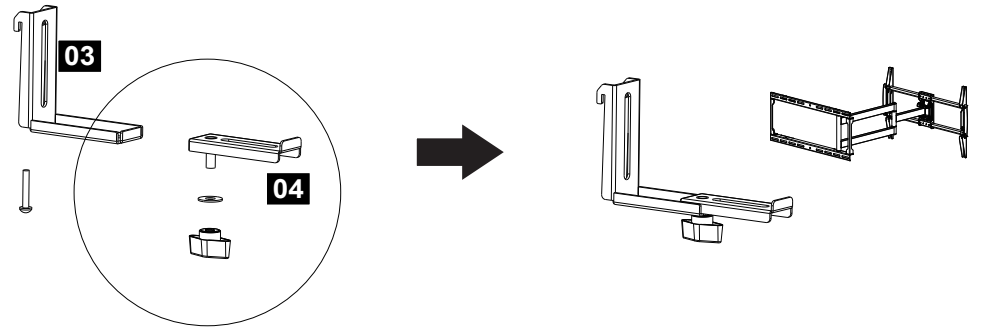
NOTE: Not all parts and hardware included will be used.

1 Assemble Wall Plate and Support Plate

1-1 Assemble Wall Plate

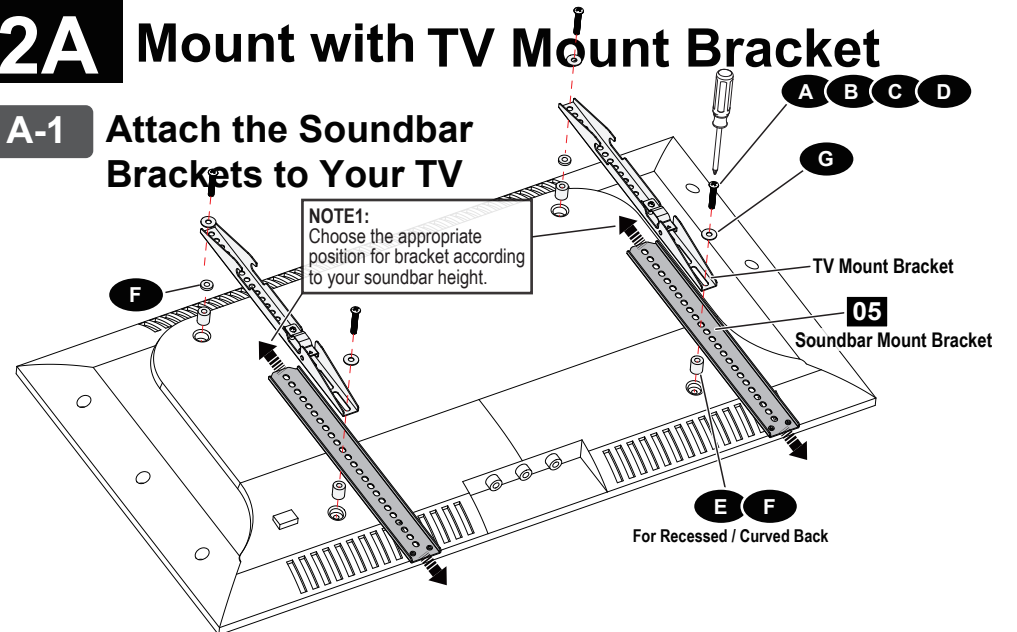


1-2 Assemble Support Plate



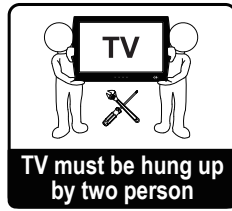
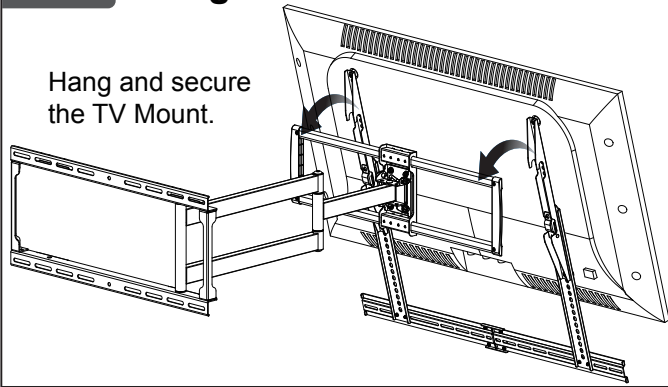
2A Mount with TV Mount Bracket

A-1 Attach the Soundbar Brackets to Your TV



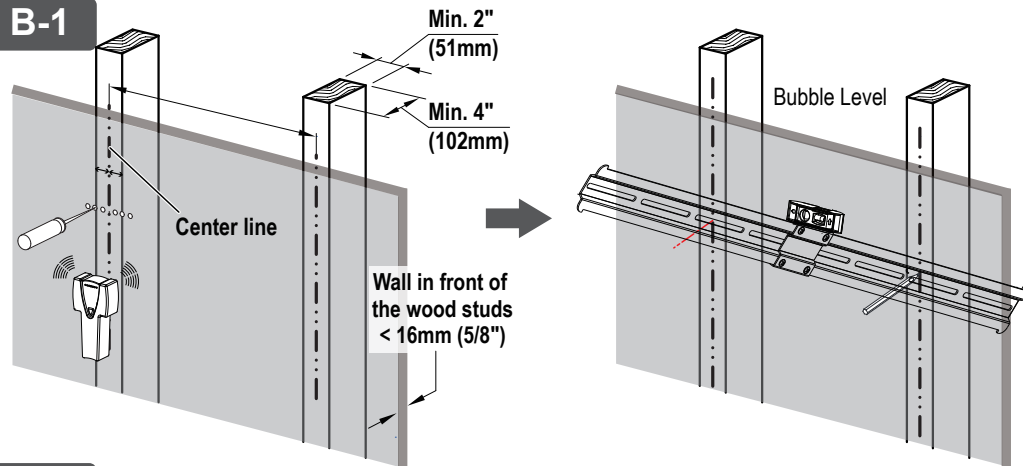
A-2 Hang the Whole Assembled Unit to the TV Mount

Hang and secure the TV Mount.

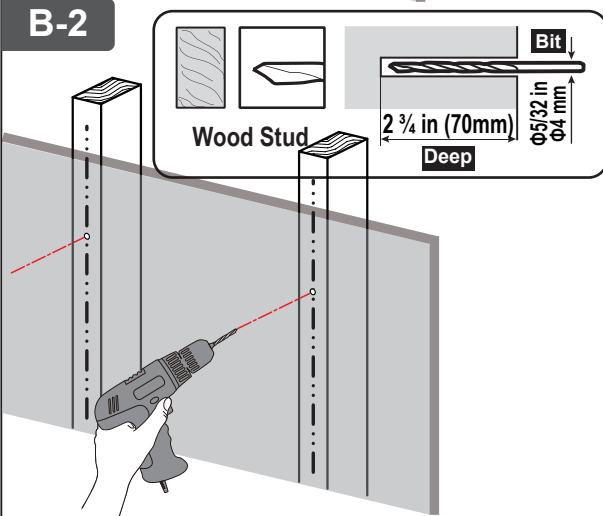


2B Mount on the Wood Stud

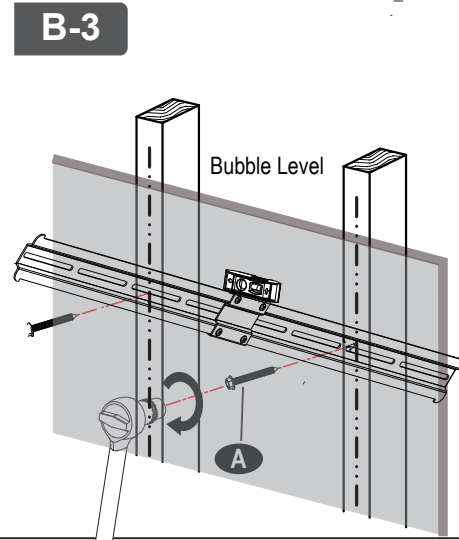
B-1



B-2

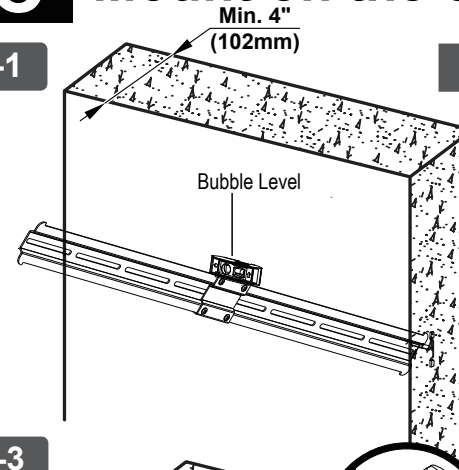


B-3

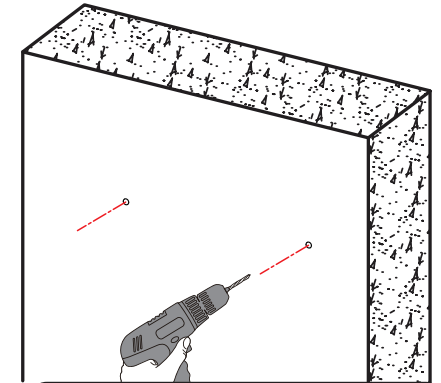


2C Mount on the Solid Concrete Wall

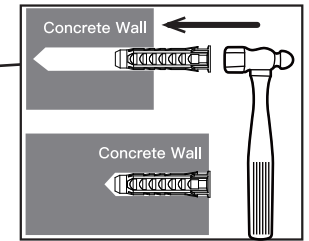
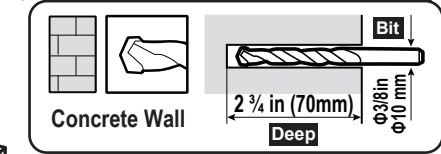
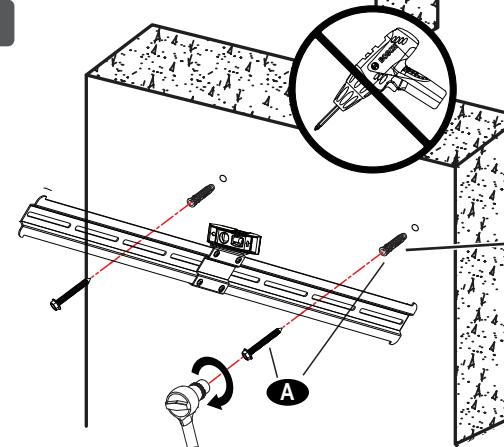
C-1



C-2



C-3



3 Hang the Soundbar to Support Plate

