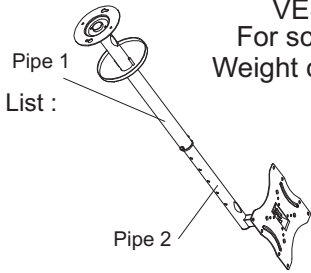


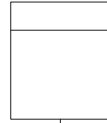
Instructions of ceiling fixed installation for panel TV

DWD1124
VESA: 200x200
For screen sizes 23"-42"
Weight capacity: 35 kg/77 lbs

1. Parts List:

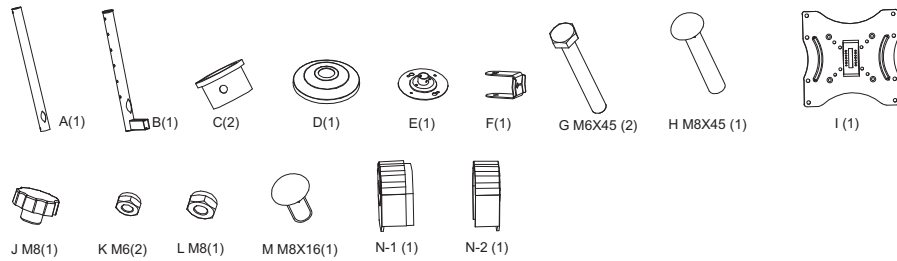


Accessories bag

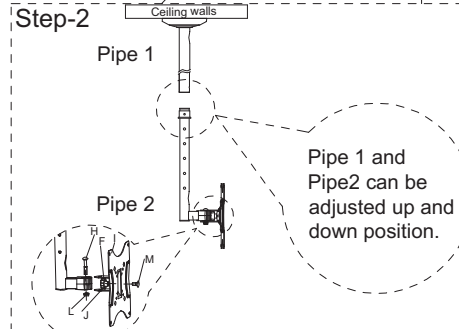
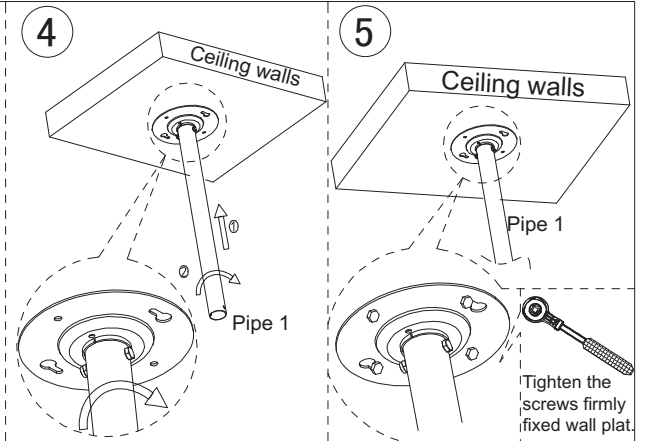
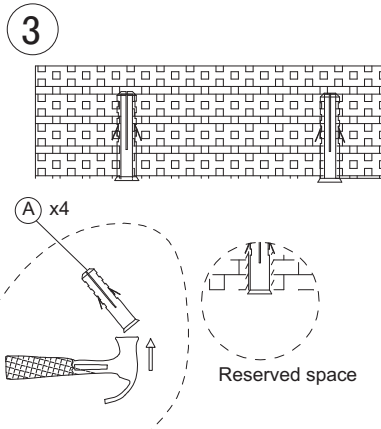
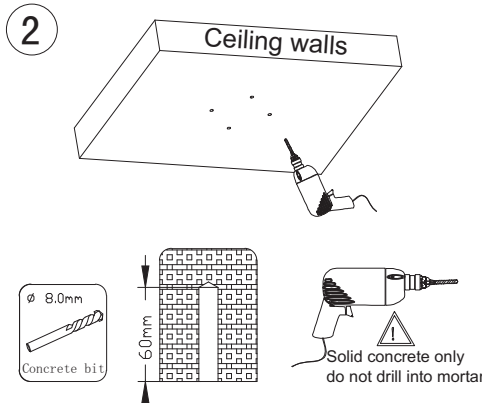
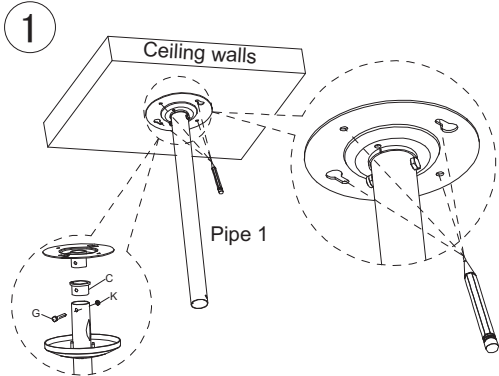


- | | | | | | |
|-----------------------------|--------------------------------|-------------------------------------|-------------------------------------|-------------------------------------|-------------------------------------|
| A x4 pcs
ST6x50mm | B x4 pcs
φ 8x φ6xL40 | C x4 pcs
φ Flat washer(4) | D x4 pcs
φ Flat washer(4) | E x4 pcs
φ Flat washer(4) | F x4 pcs
φ Flat washer(4) |
| G x4 pcs
M4x12mm | H x4 pcs
M5x12mm | I x4 pcs
M6x12mm | J x4 pcs
M8x15mm | | |

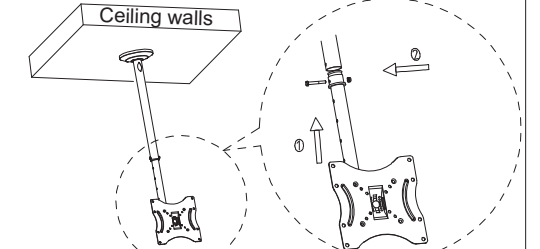
Part list:



Step-1 Mounting the wall plate:



Step-3 Select the appropriate height in the Pipe1 into Pipe2; Then lock the pin.



Step-4 The TV is installed on the bracket.

