

Model:AVA-1300  
 For screen sizes:32"-75"(most)  
 Max capacity:45.5kg(100lbs)  
 AV shelf max load:4.5kg(10lbs)  
 VESA:200x200~600x400mm

**WARNING!**

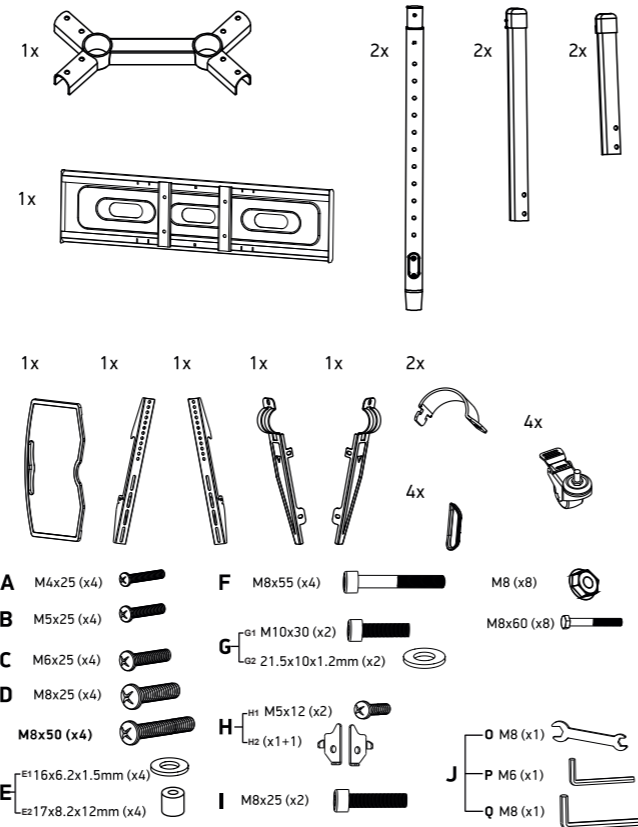
Severe personal injury and property damage can result from improper installation or assembly. Read the following warning carefully before beginning.

- If you do not understand the instructions or have any concerns or questions, please contact a qualified local installer.
  - Do not install or assemble if the product or hardware is damaged or missing, if you require replacement parts, please contact your local distributor for assistance.
  - This product fits most 32"-65" LCD/plasma screen; maximum weight of LCD/plasma screen; 100lbs/45.5kg; AV shelf max load:10lbs/4.5kg.
  - Do not use this product for anything other than the original design.
  - This product contains moving parts, please use with caution.
  - The manufacturer disclaims any liability for the modifications, improper installation, or installation over the specified weight range. The manufacturer will not be liable for any damages arising out of the use of, or inability to use, the product.
- ▶ All images are for reference, to prevail in product.

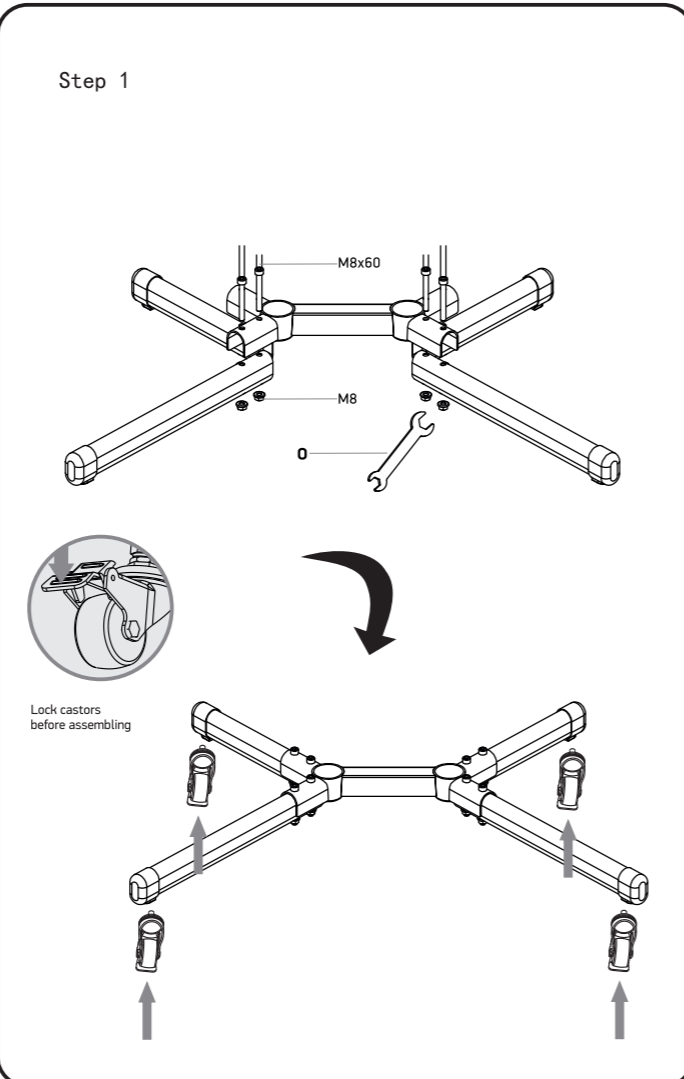
Manual

Tightening Direction	Loosening Direction	Phillips Screwdriver	Metre Rule	Adjustment	By Hand	Hex Wrench

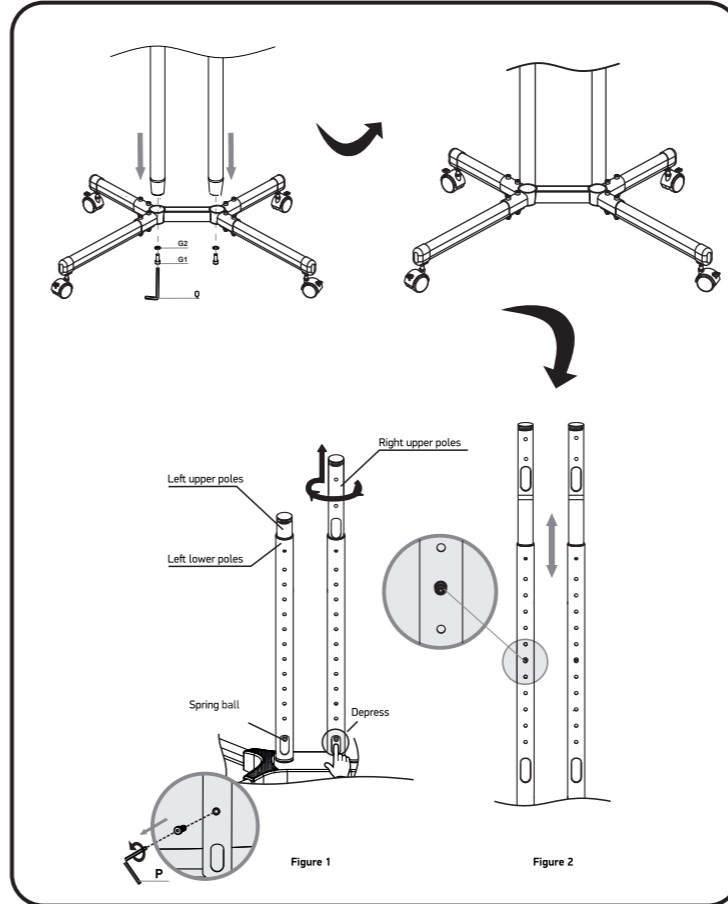
Parts List



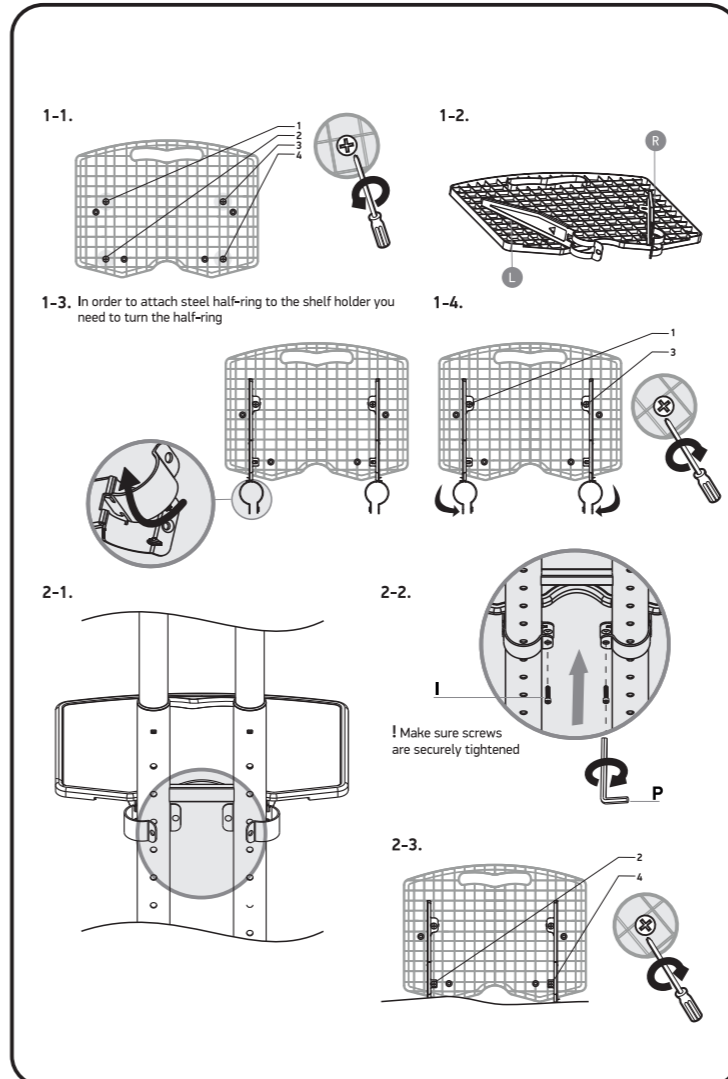
1. Castor wheels to base installation



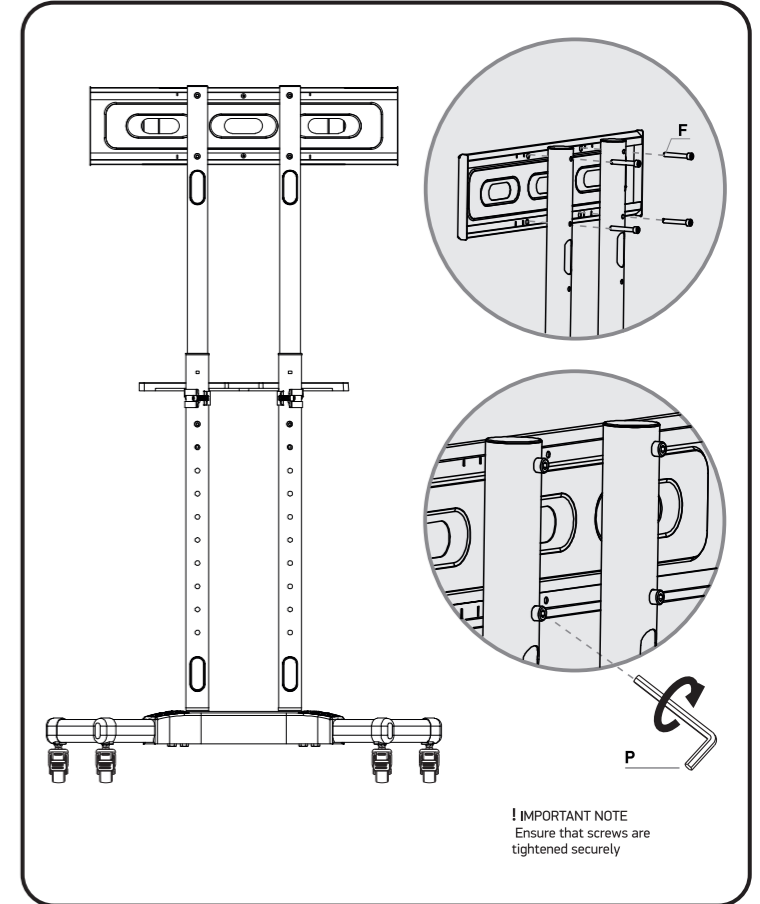
2. Post assembly to base installation



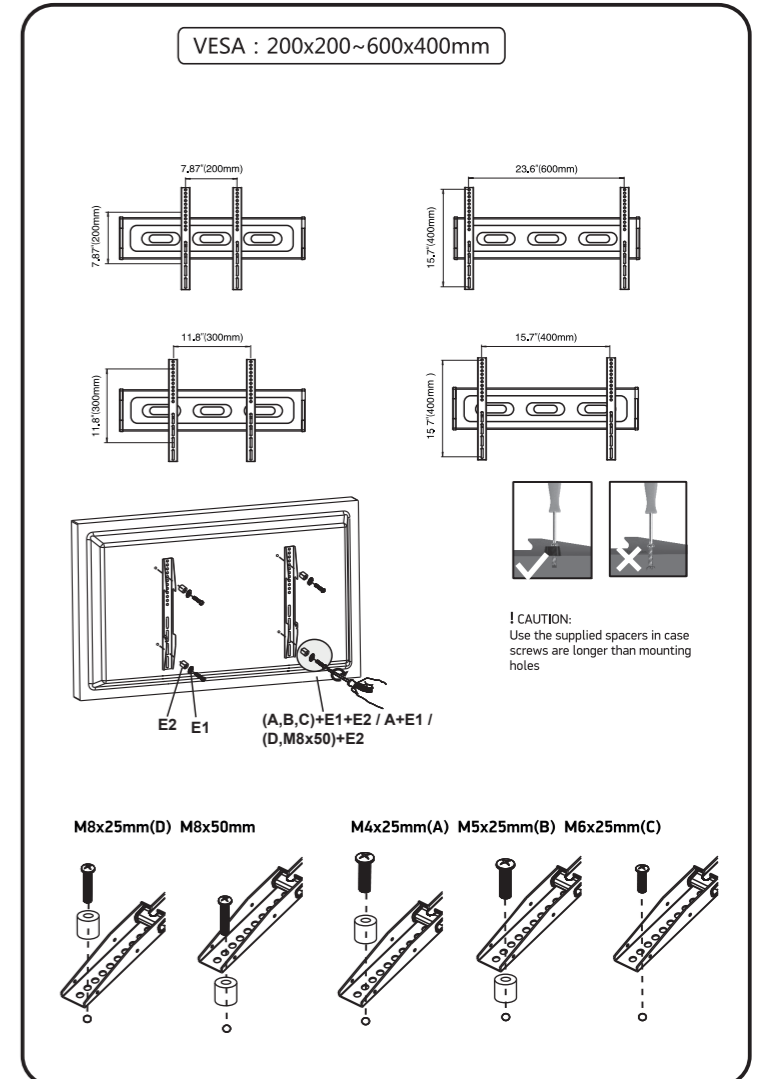
3. AV shelf assembly and installation



4. Installation of interface

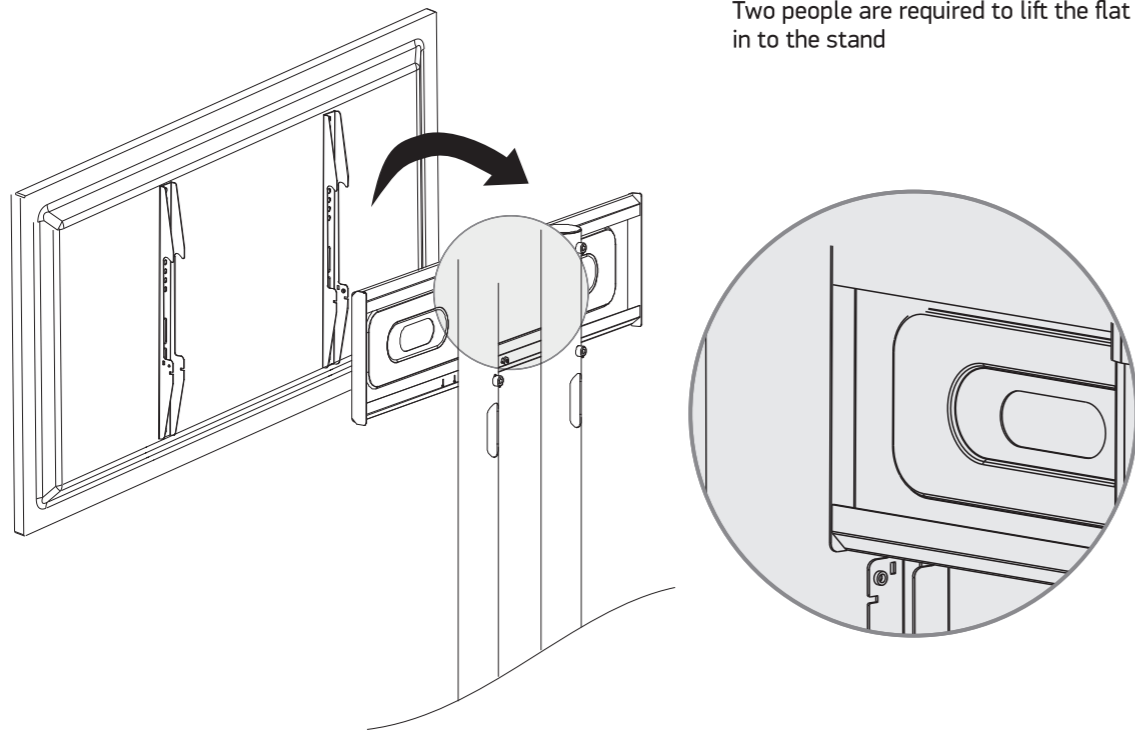


5. Selection of TV mounting patterns

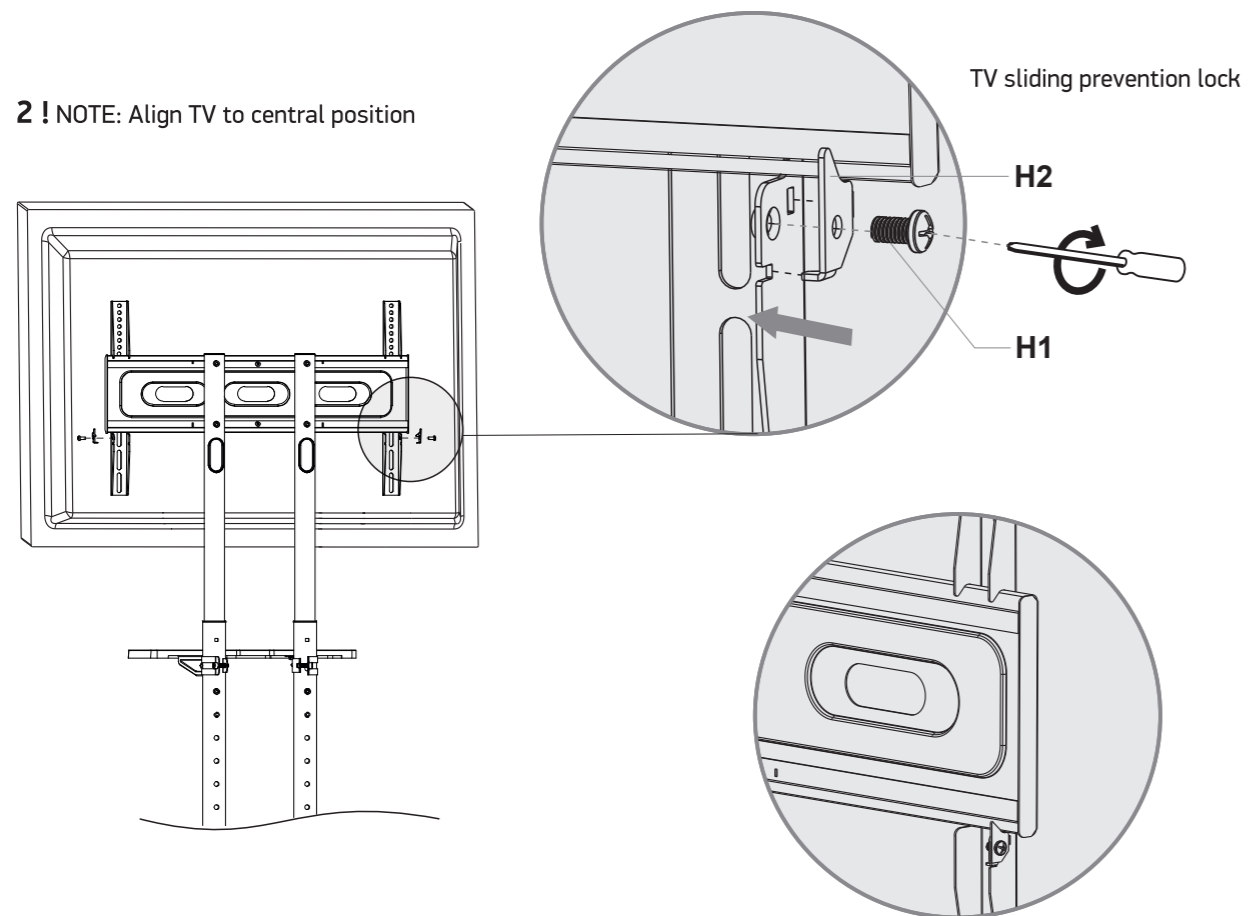


## 6. Attaching the Display to the VESA panel

**Warning:**  
Two people are required to lift the flat panel  
in to the stand



**2 ! NOTE:** Align TV to central position



## 7. Cables and wires installation

