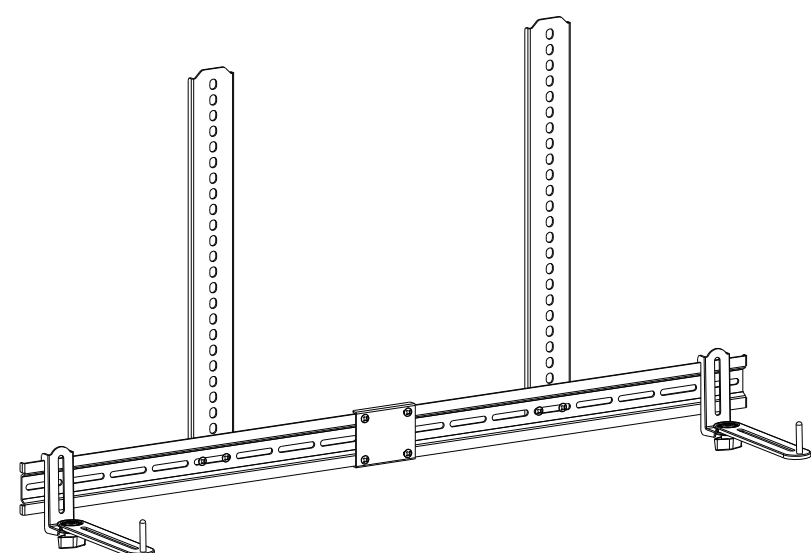
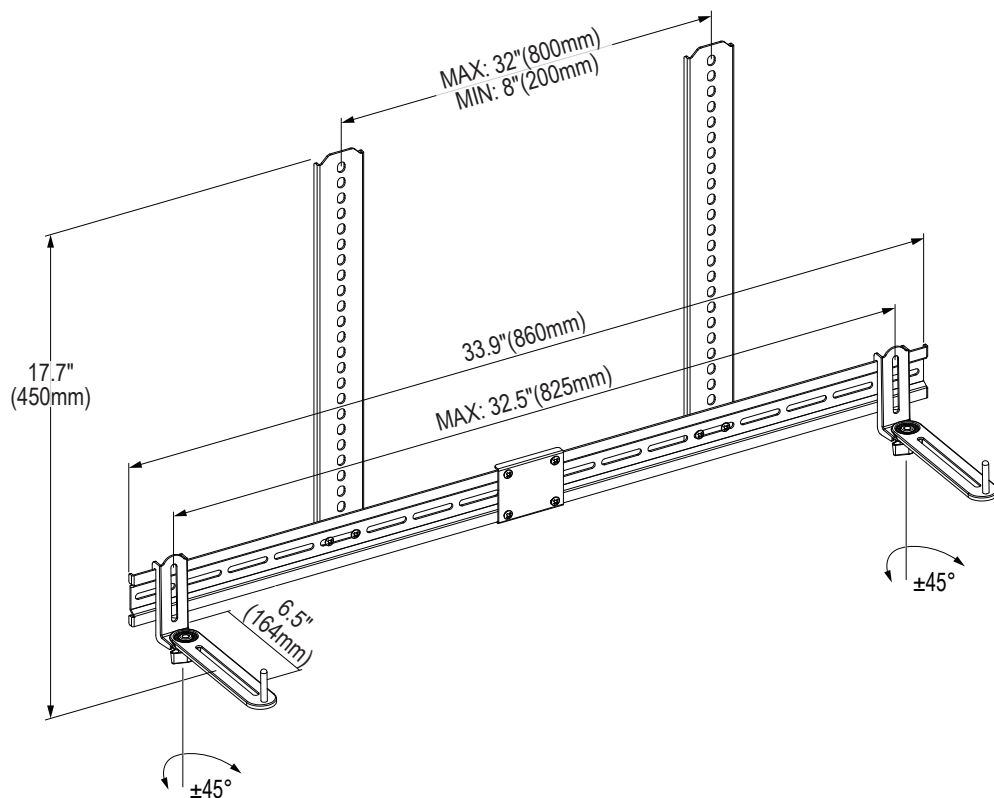


ASSEMBLY INSTRUCTION

DWD704



Product Dimensions



Safety Caution

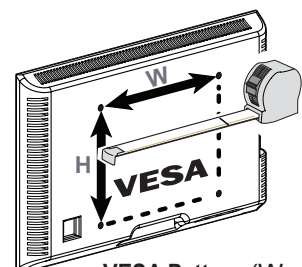
Please read this instruction carefully before installation. If you do not understand these instructions or have doubts about the safety of the installation, assembly or use of this product, please contact us.

- The weight of your soundbar **SHOULD NOT EXCEED** 10kg.
- You read through the user manuals of your TV, soundbar and TV mount for additional guidance.
- Incorrect installation may result in product damage or body injury.
- You must verify that the total weight of your TV, soundbar, soundbar mount and any accessories must be lower than the maximum weight rating of your TV mount.
- For wall mounted TVs, the wall must be capable of supporting five times the weight of the TV, mount and soundbar combined.

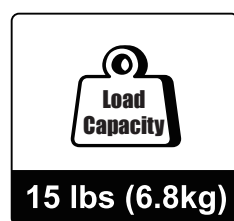
WARNING: This product contains small items that could be a choking hazard if swallowed. Before starting assembly, verify all parts are included and undamaged. If any parts are missing or damaged, do not return the damaged item to your dealer; please contact our customer service team. Never use damaged parts!

Must Check Before Getting Started

Verify Your TV Specifications:

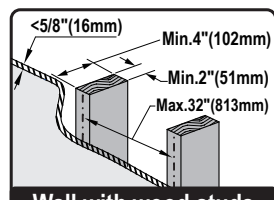


VESA Pattern (W × H):
200mm × 100mm / 4" × 3"
800mm × 300mm / 32" × 12"

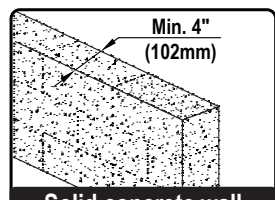


WARNING:
DO NOT exceed the maximum weight indicated.

Verify Your Wall Construction:



Wall with wood studs **Perfect!**



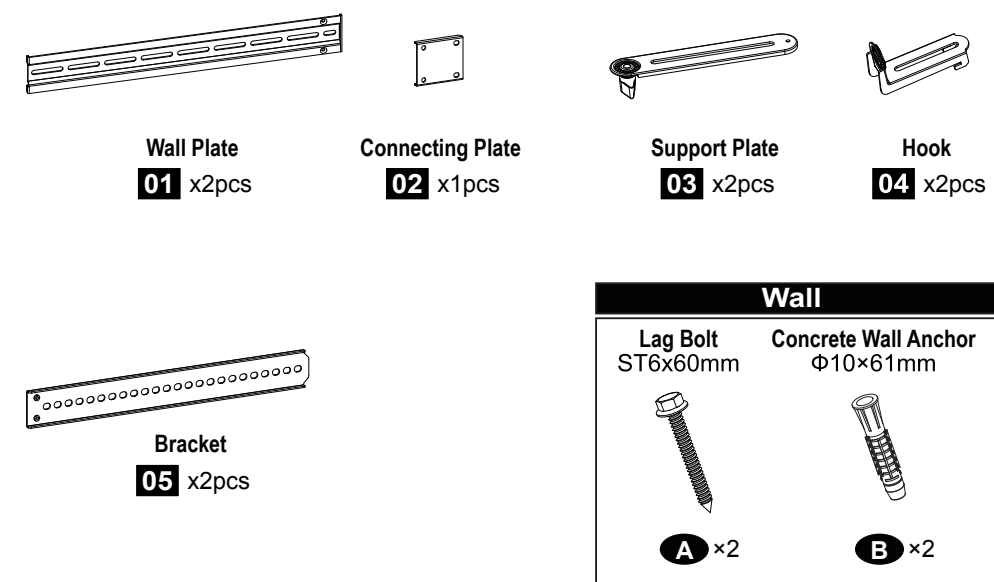
Solid concrete wall **Perfect!**

CAUTION:
Avoid potential personal injuries and property damage!
Drywall covering the wall must not exceed 5/8 in (16 mm).
Minimum wood stud size: nominal 2 x 4 in (51 x 102 mm),
actual 1 1/2 x 3 1/2 in. (38 x 89 mm).

CAUTION:
Avoid potential personal injuries and property damage!
Mount the wall plate assembly directly onto the concrete surface (no surface covering).

CAUTION: DO NOT install into drywall alone.

Supplied Parts and Hardware

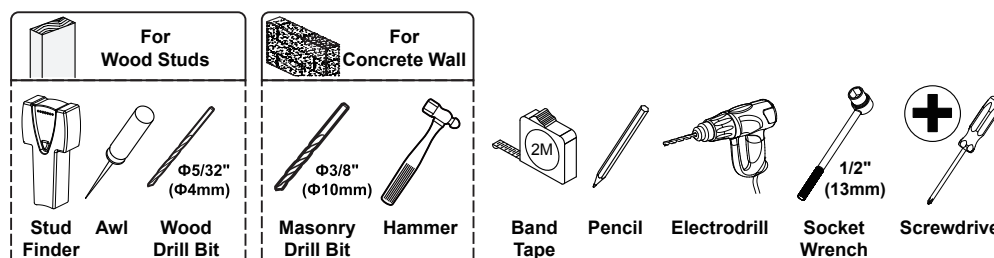


Soundbar & Bracket					
Washers Φ6mm x2 I	Soundbar Screws M4×15mm M5×15mm M6×15mm x2 II			Long Nut M3 x2 III	Screws M3×8mm x2

TV					
Philips Screws M6 x 15mm M6 x 25mm x4 MA	Philips Screws M8 x 25mm x4 MB	Philips Screws M8 x 45mm x4 MC	Spacers H10mm x4 MD	Washers Φ6mm x4 ME	Spacers H5mm x2 MF

NOTE: Not all parts and hardware included will be used.

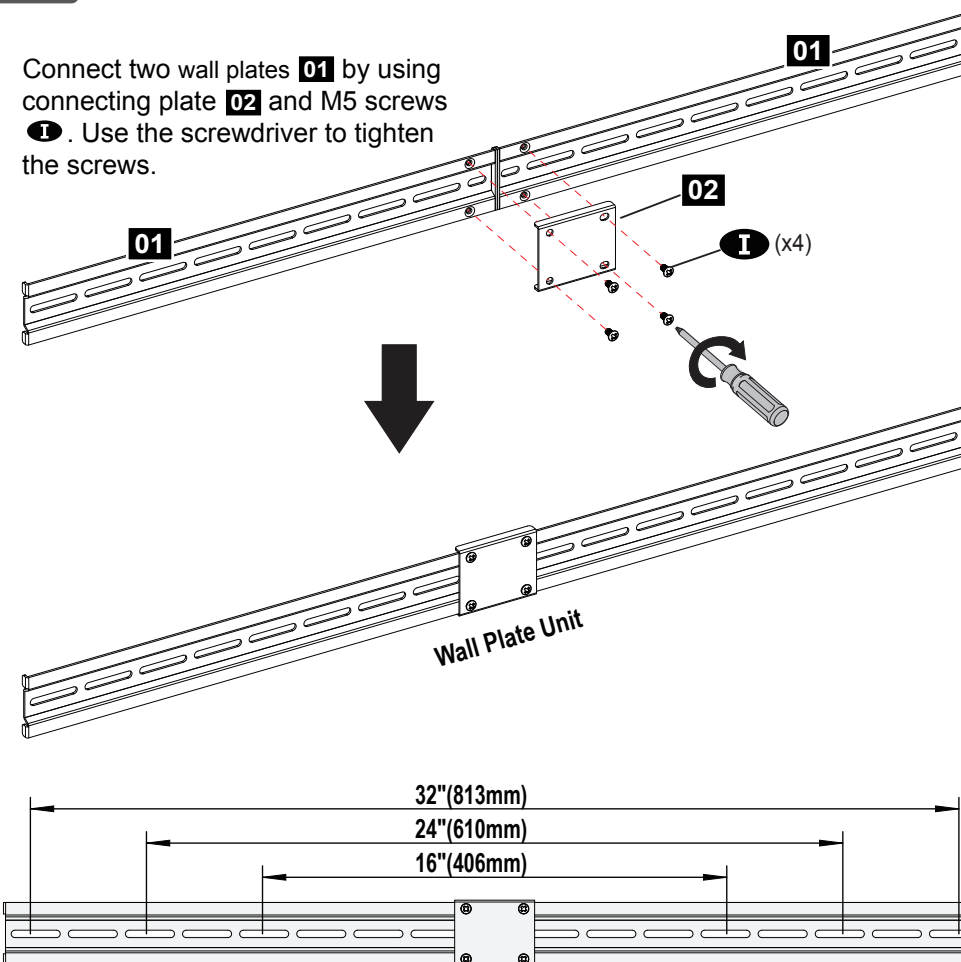
Extra Tools You Need (Not Supplied)



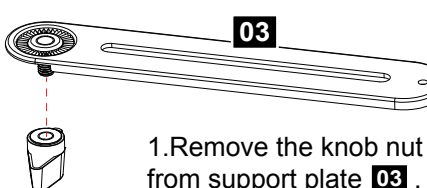
1 Assemble Wall Plate and Support Plate

1-1 Assemble Wall Plate

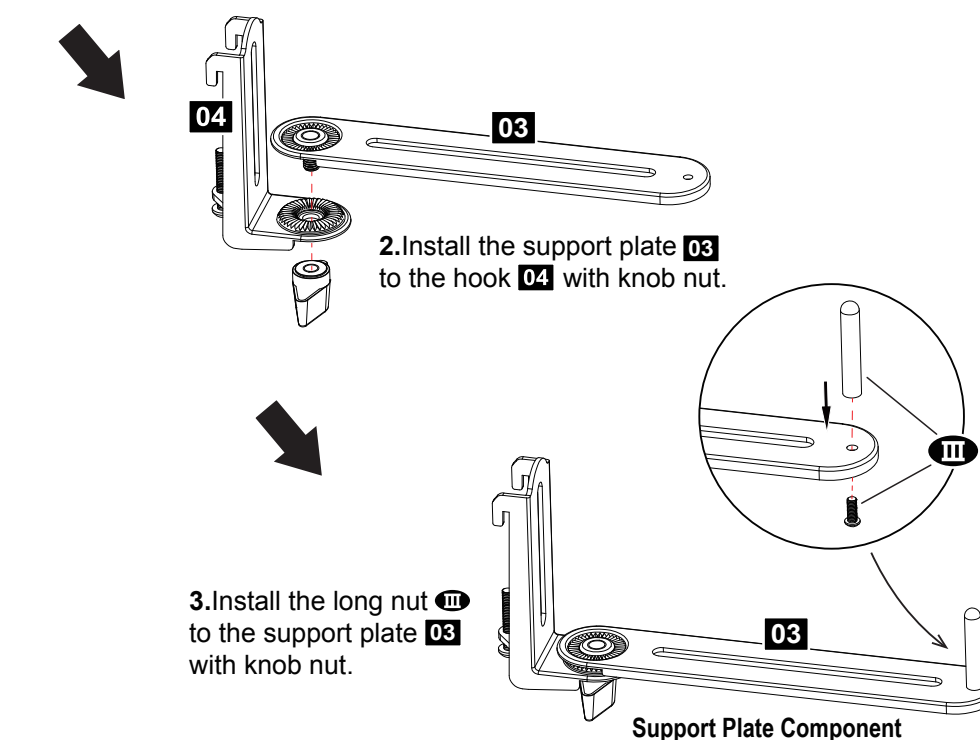
Connect two wall plates **01** by using connecting plate **02** and M5 screws **I**. Use the screwdriver to tighten the screws.



1-2 Assemble Support Plate



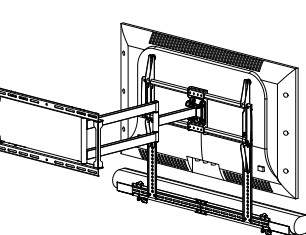
1. Remove the knob nut from support plate **03**.



2. Install the support plate **03** to the hook **04** with knob nut.

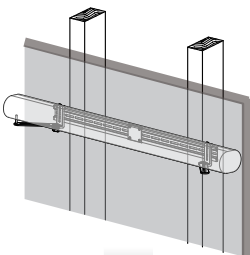
3. Install the long nut **III** to the support plate **03** with knob nut.

OPTION A Mount with TV Wall Mount



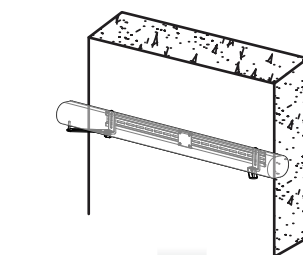
STEP 2A

OPTION B Mount on the Wood Stud



STEP 2B

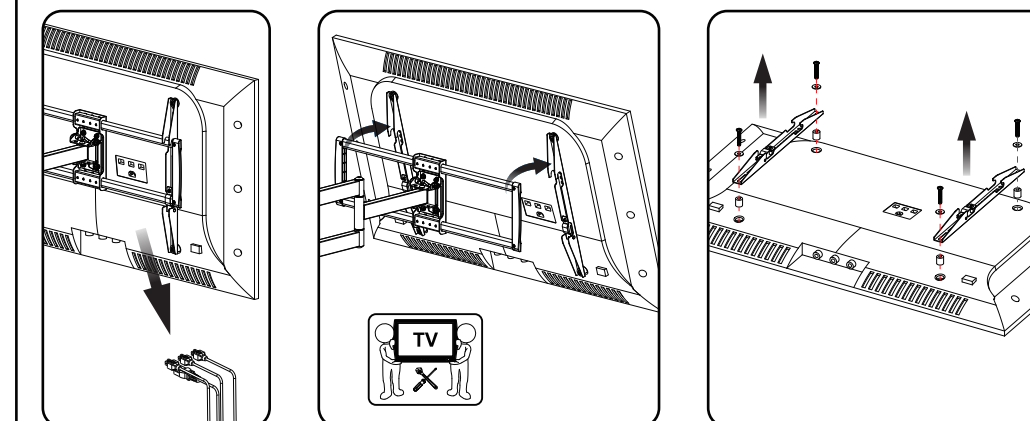
OPTION C Mount on the Solid Concrete Wall



STEP 2C

2A Mount with Wall Mount

A-1 Remove Your TV from the TV Mount

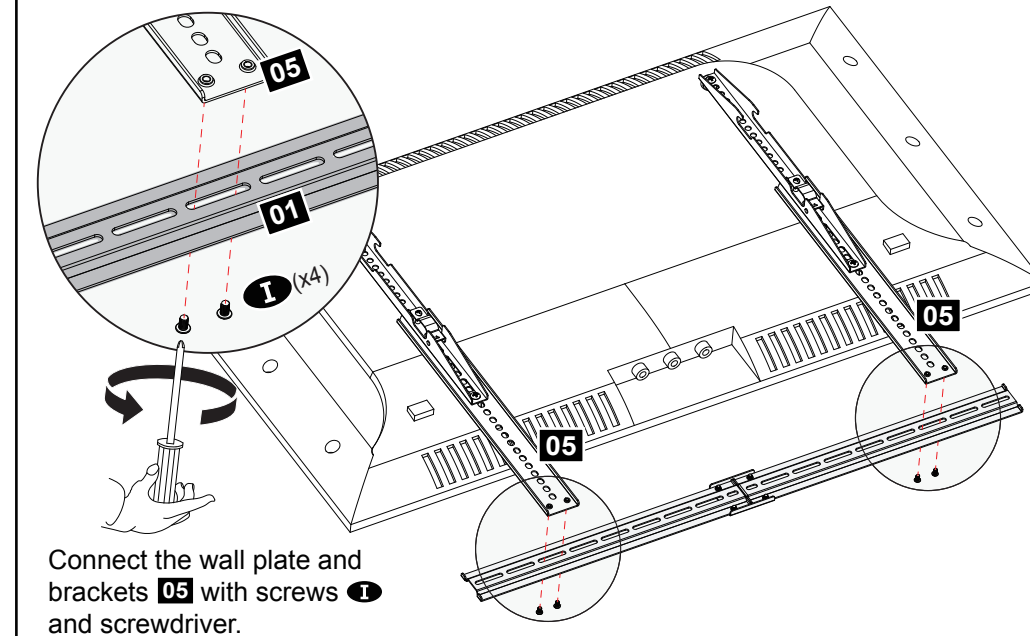
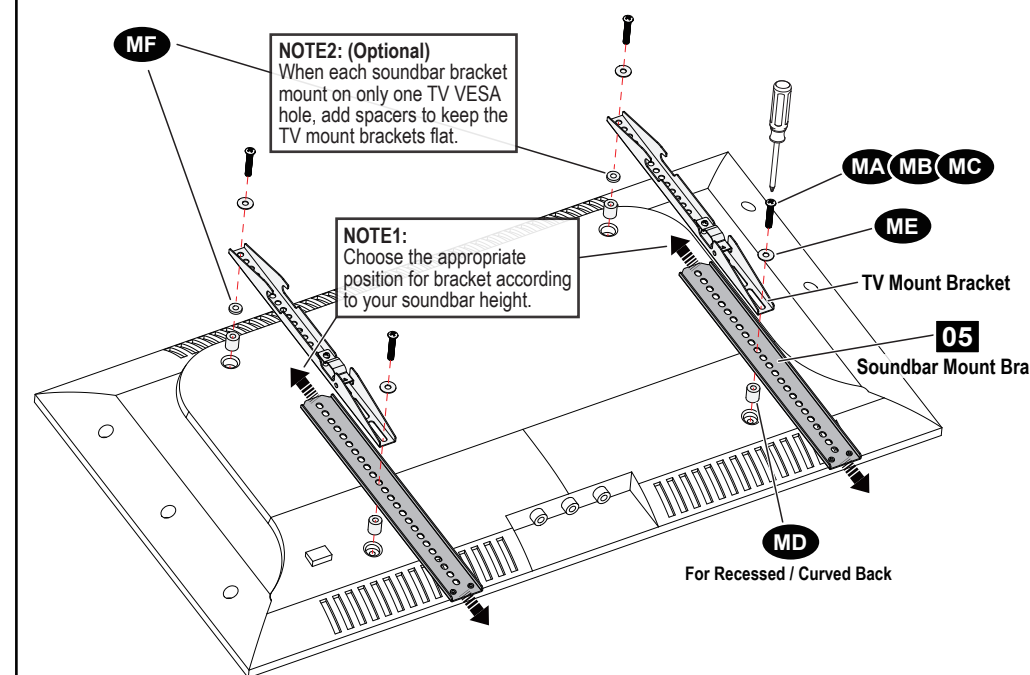


1. Remove all cables

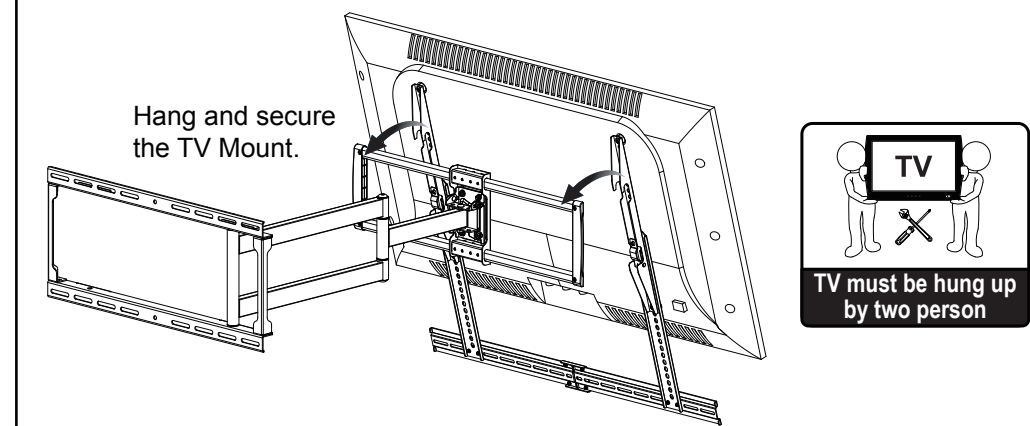
2. Remove the TV

3. Remove the TV brackets

A-2 Attach the Soundbar and Brackets to Your TV

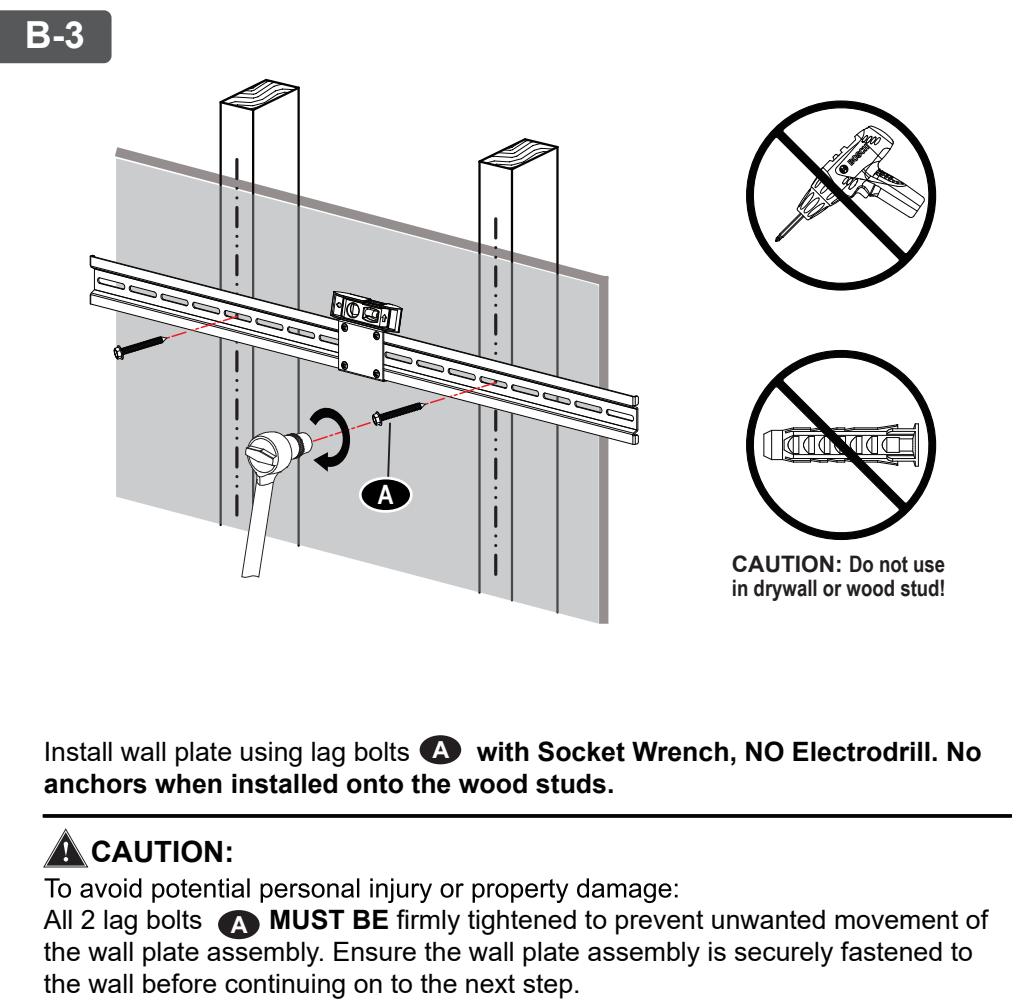
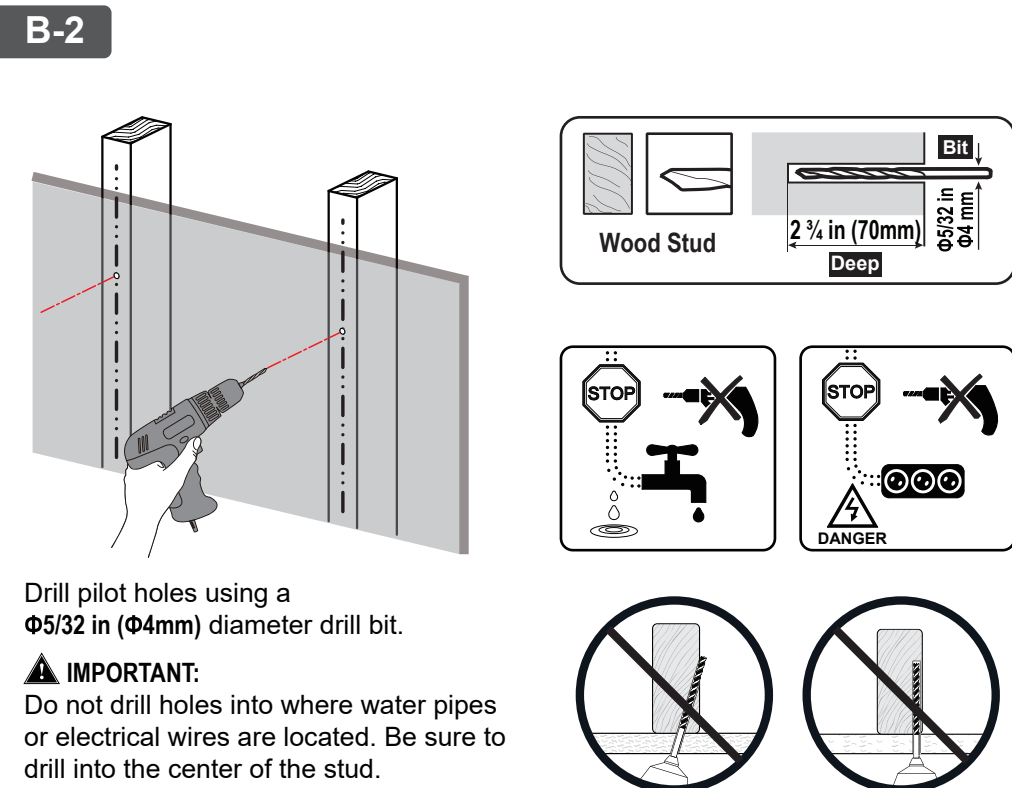
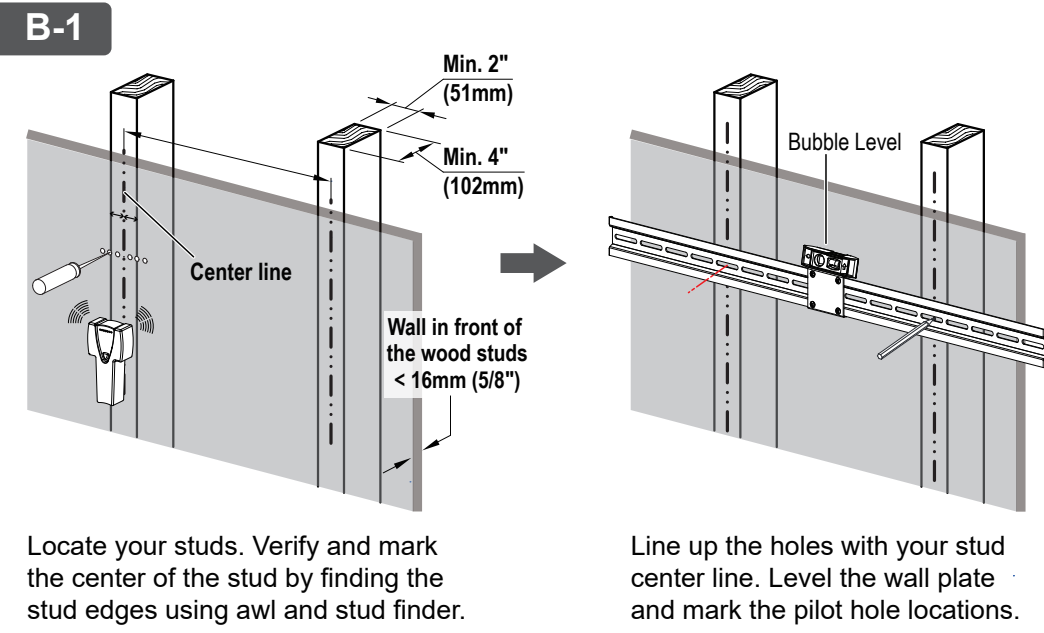


A-3 Hang the Whole Assembled Unit to the TV Mount



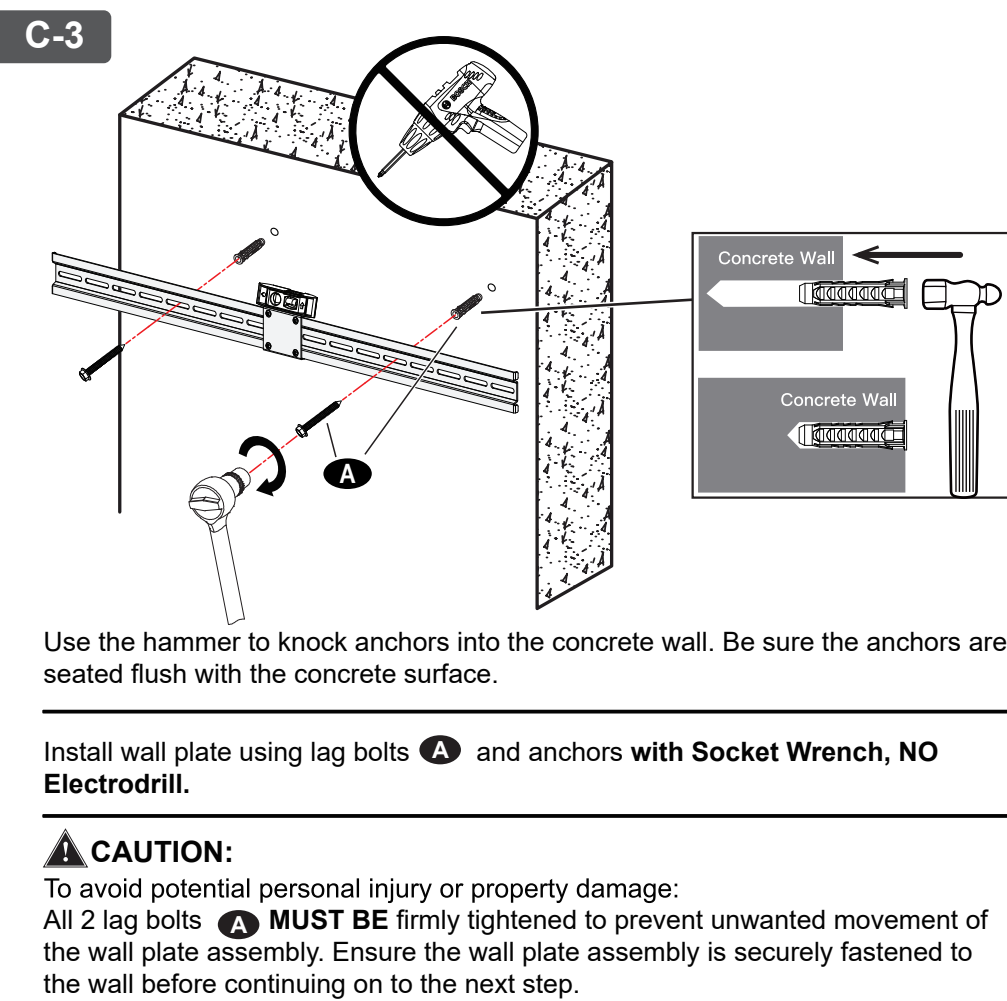
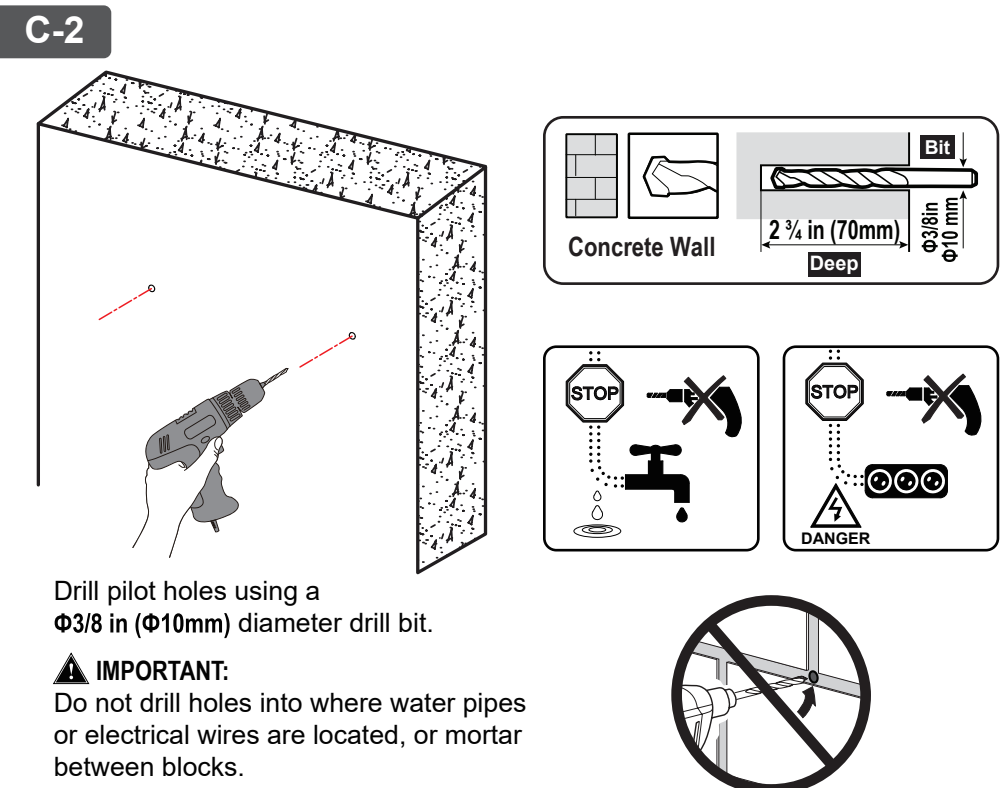
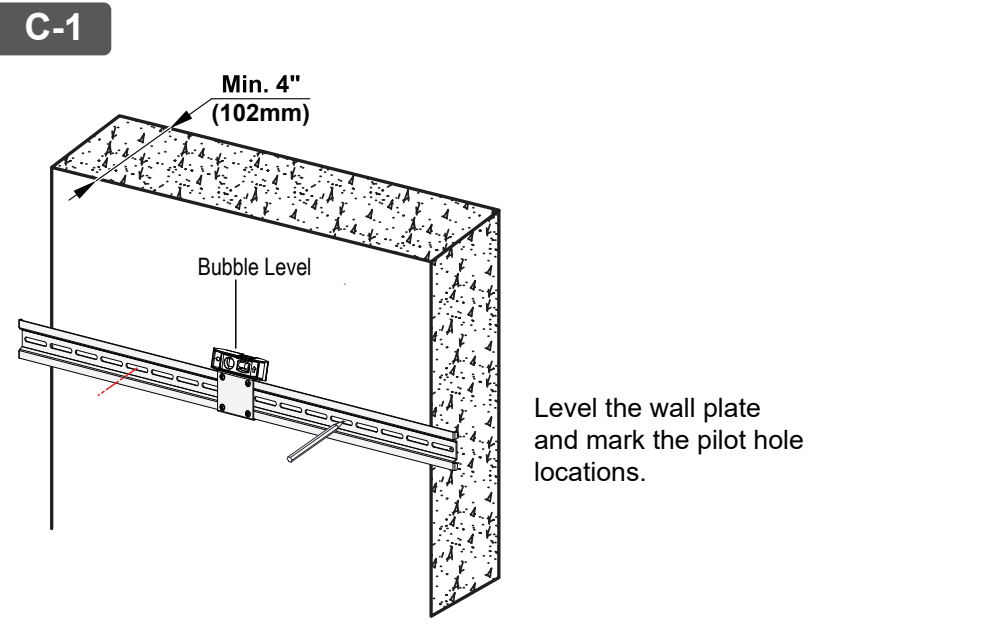
STEP 3

2B Mount on the Wood Stud



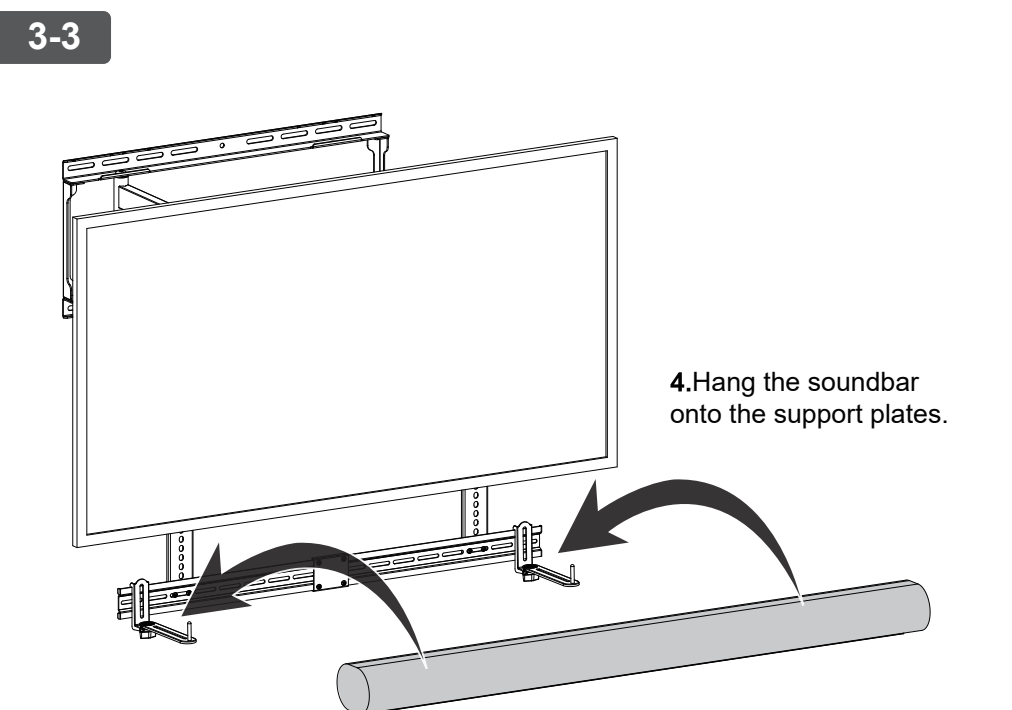
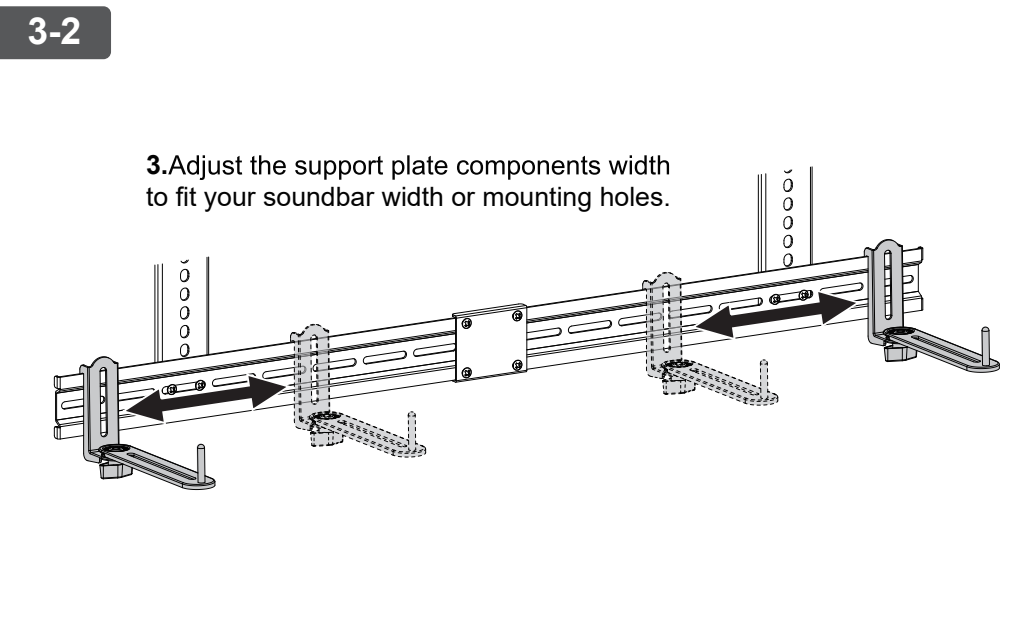
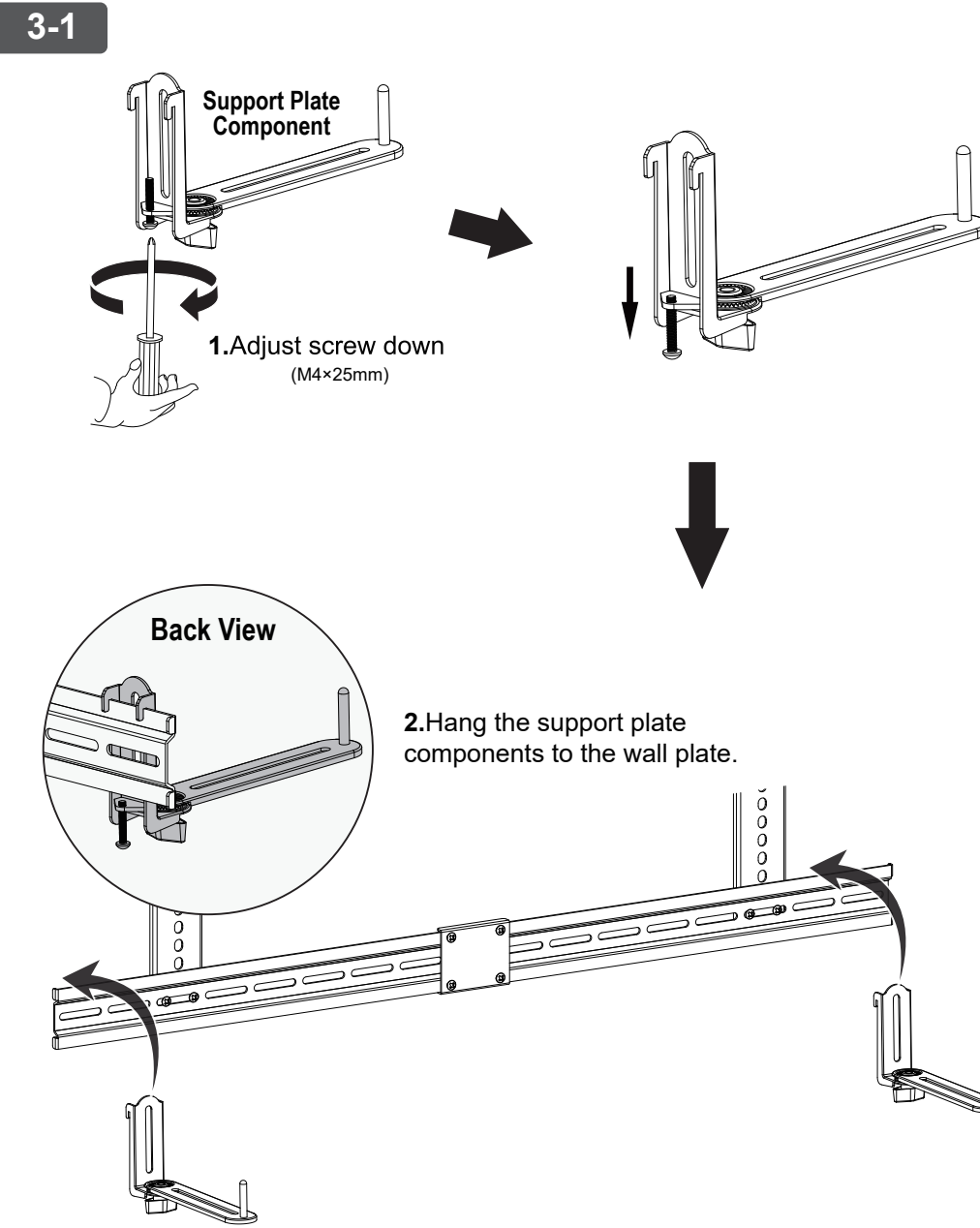
STEP 3

2C Mount on the Solid Concrete Wall



STEP 3

3 Hang the Soundbar to Support Plate



4 Secure the Soundbar

