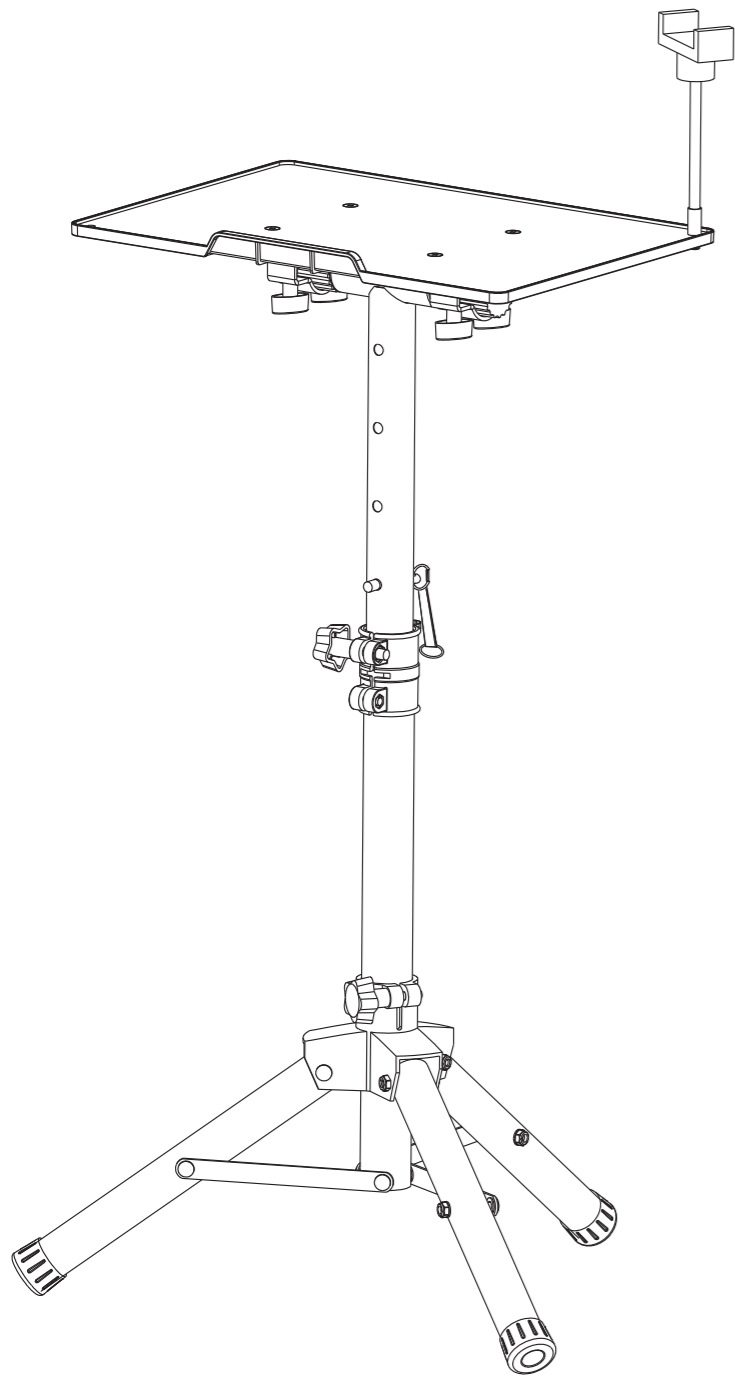


# Projector / Laptop Tripod Stand Instruction Manual



(DWD710-US2)

Thank you for choosing this product! If you have any questions, please feel free to contact us via Amazon before returning.

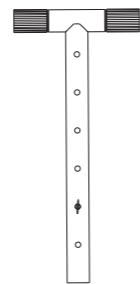
## Safety Caution

Please read this instruction carefully before installation.  
If you do not understand these instructions or have doubts about the safety of the installation, assembly or use of this product, please contact us via Amazon.

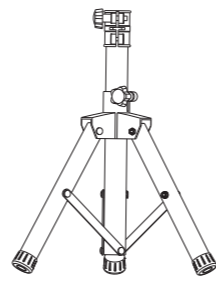
- Incorrect installation may result in product damage or body injury.
- Do not use this product for any purpose that is not explicitly specified in this manual.

**⚠ WARNING:** This product contains small items that could be a choking hazard if swallowed. Before starting assembly, verify all parts are included and undamaged. If any parts are missing or damaged, do not return the damaged item to your dealer; please contact our customer service team. Never use damaged parts!

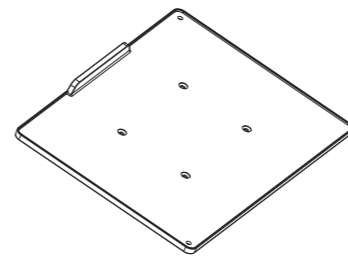
## Supplied Parts and Hardware



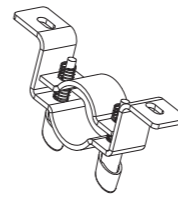
Pillar  
A (x1)



Foldable Tripod Stand  
B (x1)



Tray  
C (x1)



Connector  
D (x2)



M6x18mm  
Bolt  
E (x4)



M6  
Flange Nut  
F (x4)



Open-end Wrench  
G (x1)



1/4"-20  
Bolt  
H (x1)



Strap  
I (x2)



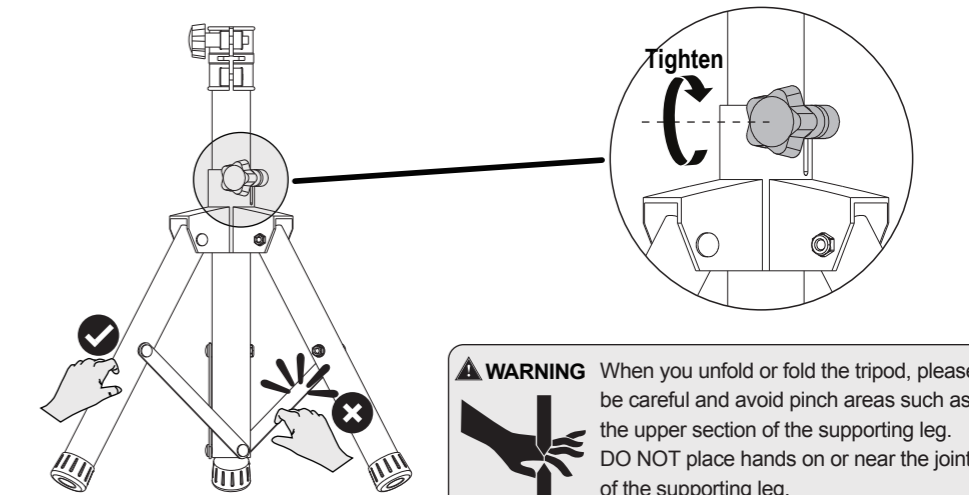
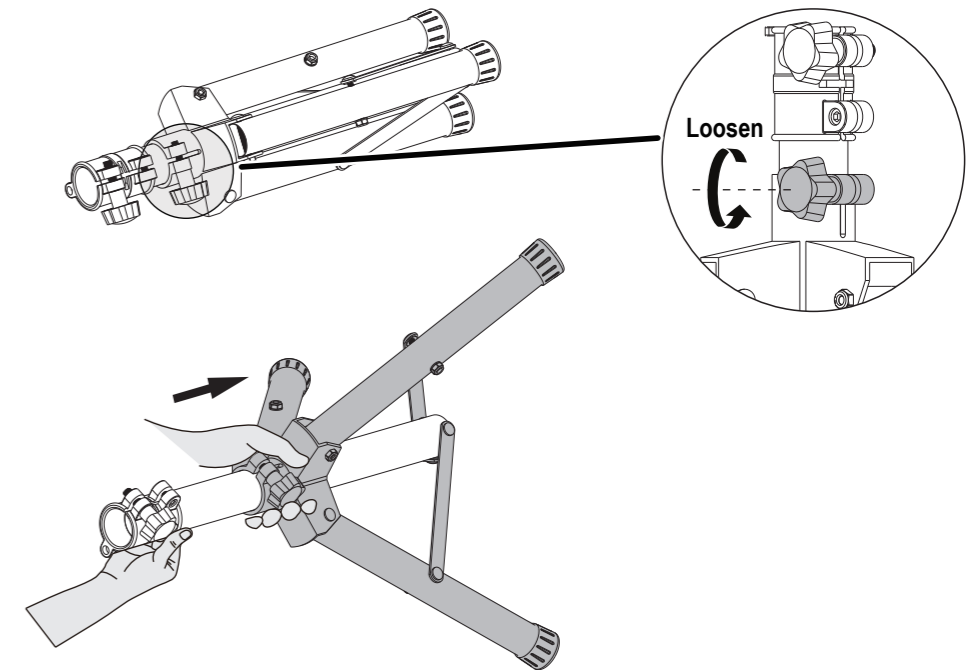
Phone Holder  
J (x1)



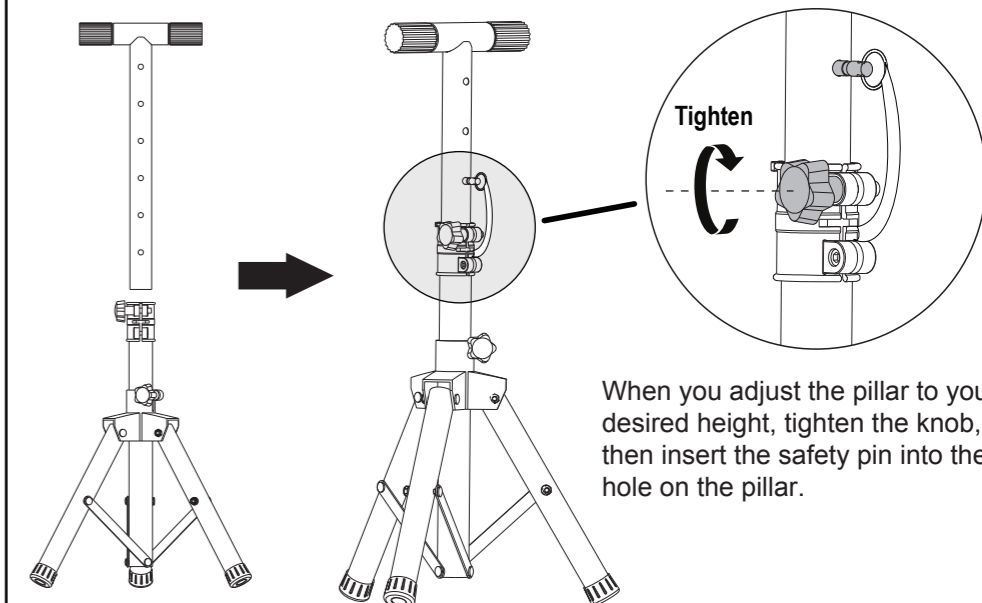
Phillips  
Screwdriver  
(Not Included)

## STEP 1: Adjust the Height of the Tripod

1-1 Unfold the tripod stand and adjust to your preferred angle, then tighten the knob.

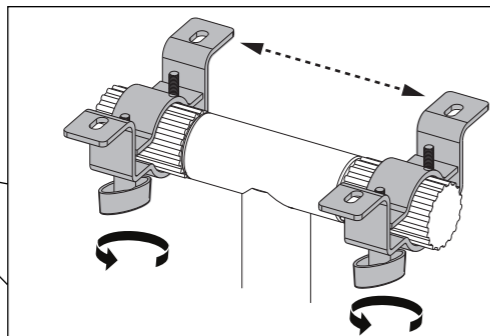
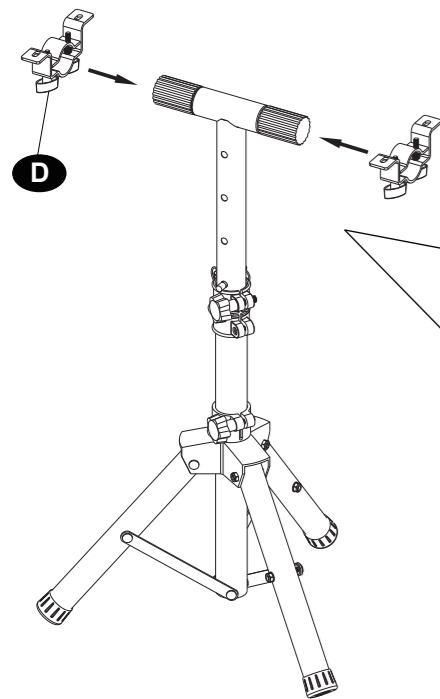


1-2



## STEP 2: Secure the Tray to the Connector

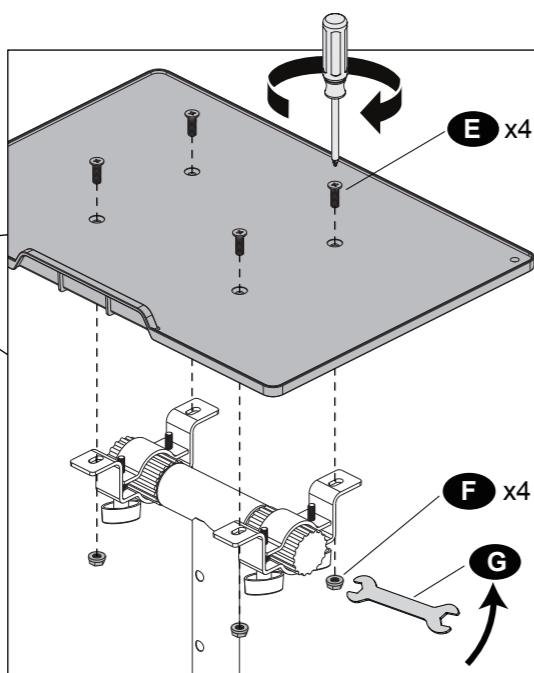
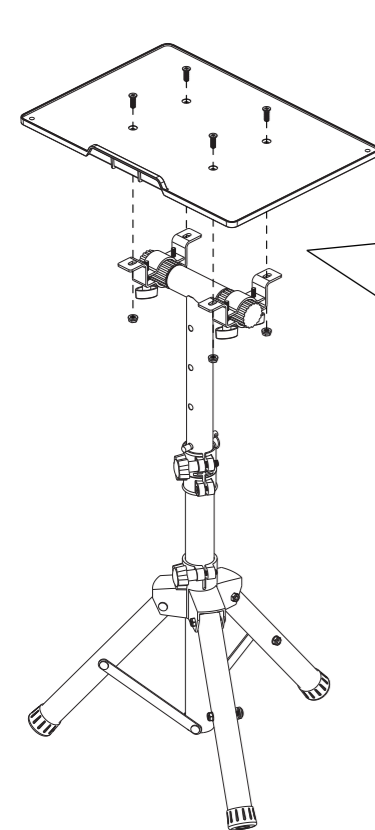
2-1



**Note:**  
The connectors should be pre-tightened but still moveable for Step 2-2 to align with the tray.

2-2

Connecting the tray and connector by using bolts (E) and flange nuts (F), tighten them with the open-end wrench (G) and phillips screwdriver.

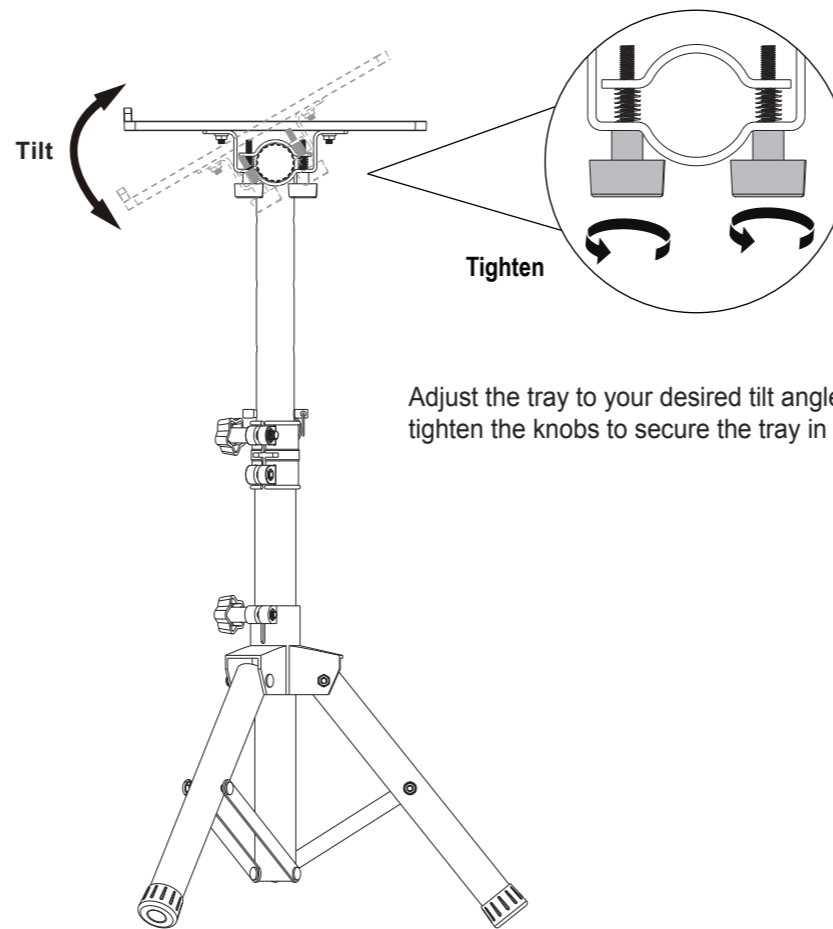


**Note:**

- The holes in the connector should be aligned with the holes on the tray.
- Do not tighten the bolts (E) until all of them are in right positions.

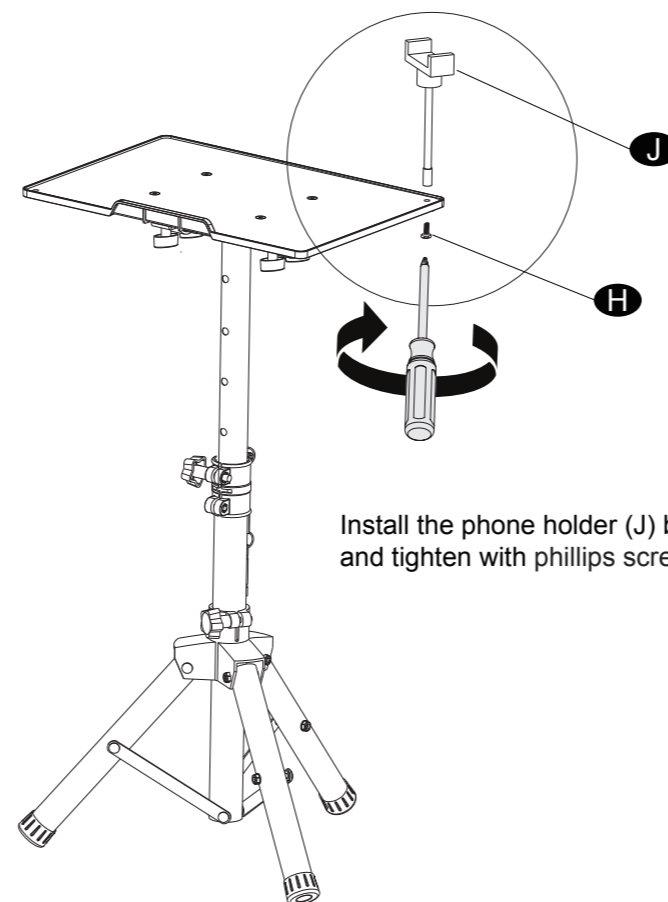
4

## STEP 3: Tilt Adjustment of Tray



Adjust the tray to your desired tilt angle, then tighten the knobs to secure the tray in place.

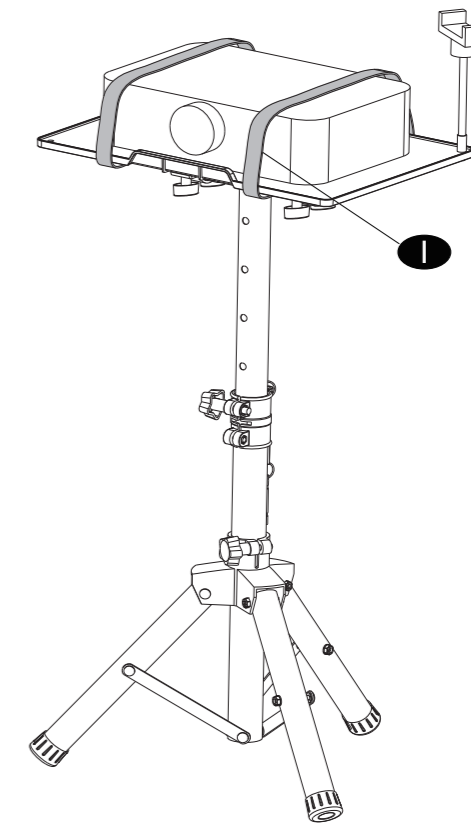
## STEP 4: Install Phone Holder



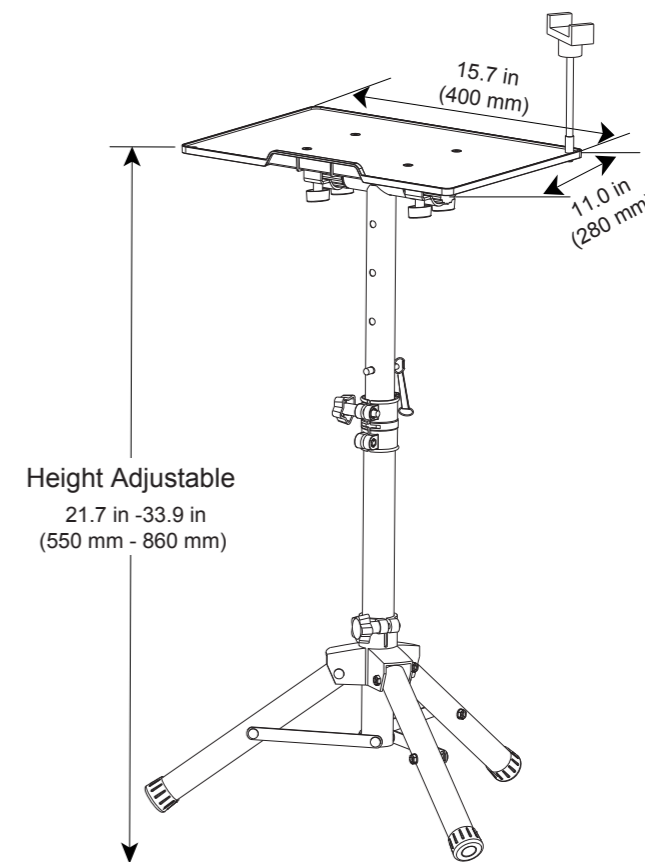
Install the phone holder (J) by using bolts (H), and tighten with phillips screwdriver.

5

## STEP 5: Secure the Device with Strap



## Specification



6