

**Note:** Read the entire instruction manual before you start installation and assembly.


The product is powered by electricity. In order to avoid burns, fire and electric shock and make sure the safe and correct use of the system and maintain the longevity of the overall construction and the built-in electronics, please read the instructions carefully.

## ⚠ WARNING

- This appliance can be used by children aged from 8 years and above if they have been given supervision or instruction concerning use of the appliance in a safe way and understand the hazards involved. Children shall not play with the appliance. Cleaning and user maintenance shall not be made by children without supervision.
- Persons with reduced physical, sensory or mental capabilities or lack of experience and knowledge must not use the appliance, unless they're under supervision, understand the hazards involved or they have been thoroughly instructed in the use of the apparatus by a person who is responsible for the safety of these persons.
- Don't leave the cords or plug unorganized in order to prevent tripping hazards.
- Any attempts to reconstruct the construction aren't allowed.
- Do not begin the installation until you have read and understood all the instructions and warnings contained in this installation sheet. If you have any questions regarding any of the instructions or warnings, please contact your local distributor.
- This mounting bracket was designed to be installed and utilised ONLY as specified in this manual. Improper installation of this product may cause damage or serious injury.
- This product should only be installed by someone with good mechanical ability who has basic building experience and fully understands this manual.
- Make sure that the supporting surface will safely support the combined weight of the equipment and all attached hardware and components.
- Always use an assistant or mechanical lifting equipment to safely lift and position the equipment.
- Tighten screws firmly, but do not over tighten. Over tightening can cause damage to the items, This greatly reduces their holding power.
- This product is intended for indoor use only. Using this product outdoors could lead to product failure and personal injury.
- Please do not disassemble or change the electronic components of the product without authorization.

## Electrical Safety Instructions

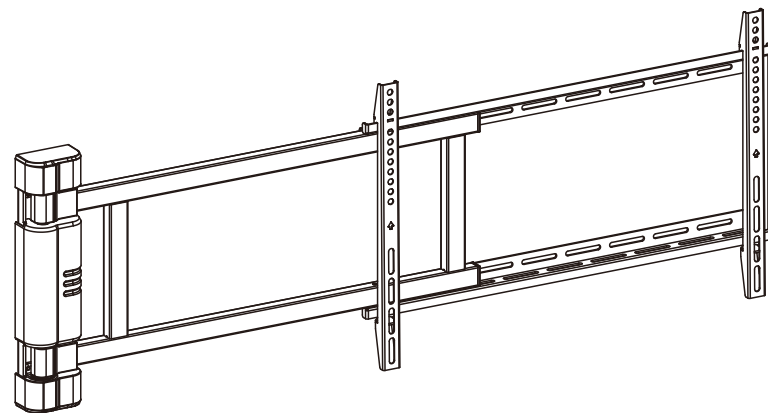
- The appliance is only to be used with the power supply unit provided with the appliance. Alterations of the given power unit aren't allowed.
- Never operate the system with a damaged power supply cord or plug. If any parts is damaged, please contact your service agent of purchase for a replacement.
- Never operate the system if it's in moist environment or its electrical components has contact with liquids.
- Don't clean the product while the power is still connected.
- Don't disassemble or replace components while the power is still connected.
- Unplug the appliance when the system isn't in use, and place the power plug out of children reach.

 **Disposal:** The product with this mark indicates that this product shouldn't be disposed with other household wastes throughout the EU. To prevent possible harm to the environment or human health from uncontrolled waste disposal, recycle it responsibly to promote the sustainable reuse of material resources. To return your used device, please use the local recycle service or contact your point of purchase to withdrawn the product.

# audio-line

## Instruction Manual

# MOTORIZED TV WALL MOUNT



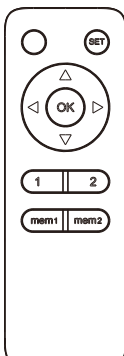
**PLB-M06 BLACK**

VESA Compatible  
200x200 200x300 200x400 300x200  
300x300 300x400 400x200 400x300  
400x400 600x200 600x300 600x400

**75"**  
MAX  
FLAT/CURVED

**50kg**  
(110lbs)  
RATED

## The Remote Control Operation Instructions



RMT-02  
remote control

### 1 Pairing the Remote to the Mount

Please see **STEP 1** on remote pairing.  
**Note:** Even if/when TV mount is unplugged after initial pairing, you will not have to pair the TV mount to the remote again.

2 Press and release , the TV wall mount will swivel to the left, press  to stop.


3 Press and release , the TV wall mount will swivel to the right, press  to stop.

### 4 Storing a TV Mount Position in Memory 1


When the TV Mount is in the desired position, press and hold  for 2 seconds - you will hear a single "beep" sound indicating the position has been successfully saved in Location 1 of the Remote Control.

### 5 Storing a TV Mount Position in Memory 2

When the TV Mount is in the desired position press and hold  for 2 seconds - you will hear a single "beep" sound indicating the position has been successfully saved in Location 2 of the Remote Control.

6 To recall the first saved position, press , the TV wall mount will automatically swivel to the location 1 position.

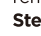
7 To recall the second saved position, press , the TV wall mount will automatically swivel to the location 2 position.

8 The TV wall mount can be installed on two directions (normal or reverse installation). When you find the swivel direction of the TV wall mount is different from the direction button you pressed, set the remote control by following the process: press and hold  for 5 seconds until you hear beep sound, the remote control is now successfully set to operate the mount.

### 9 Increase the swivel range:

The default swivel range of the TV mount is 0°-90°. If you want a swivel range more than 90°, follow the process:

**Step 1:** Use the remote control to adjust the TV wall mount to your desired position. If the remote control does not adjust the mount to your desired position, adjust it manually.

**Step 2:** Unplug and re-plug the power. Press and hold  until the buzzer sounds one beep. Repeat this step five times until you hear the buzzer make a "beep beep" (2 beeps), this new swivel range is now successfully saved.

**Note:** The max swivel range is 170°.

### Error Indications:

**Over-current Protection:** The buzzer makes a "beep beep" (2 beeps) once

**Sensor indicates the mount is over range:** The buzzer makes a "beep beep" (2 beeps) twice

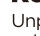
**Sensor indicates an operating fault:** The buzzer makes a "beep beep" (2 beeps) three times

**Unit senses abnormal power:** The buzzer makes a "beep beep" (2 beeps) four times

## In Front

This repair guide intends to help you identify and solve the minor problems caused by unusual operation of the electric system of our electric TV mounts. The simple procedures in this manual are easy to follow and capable of solving the most problems happened in everyday use.

### Resetting the System

Unplug and re-plug the power. Press and hold  for 5 seconds. The system will start moving automatically, the TV wall mount will move to a 0 degrees position and then stop with a beep sound, which indicates that you successfully reset the system.

**Note:** If the TV mount cannot move to a 0 degrees position when resetting, remove the TV before resetting the system again.

### Error Indication

#### 1. The Buzzer Constantly Gives Out Alarm Sound: The Error Of Positioning Signal

Reset the system by following the instruction manual. If the alarm sound continues, please contact us to replace the product.



### Remote Control Problems

#### 1. Abnormal Loss Of Power (Normally Batteries Are Out Of Power After 24hrs Without Using The Remote Control.)

Please contact us to replace remote control.



#### 2. Buttons On Remote Control Don't Work.

Please check if the batteries have power. If the problem isn't solved, please contact us to replace the remote control. If the problem is still not solved after the replacement, please contact us to replace the product.



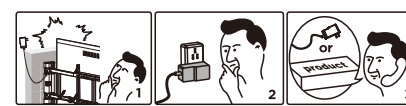
### Abnormal Operation: The TV Mount Can't Be Adjusted To 0° Or 170°

Please reset the system by following the instruction manual. If the problem is still not solved, please contact us to replace the product.



### Can't Operate

Please check if the power adaptor is properly connected to the product. If so, please turn the power on. If there is no buzzer sound or red light power indication, please check if the power adaptor works properly. If the power adaptor doesn't work, please contact us to replace the power adaptor. If the power adaptor works properly, but the TV mount doesn't work, please contact us to replace the product.



### Abnormal Noise

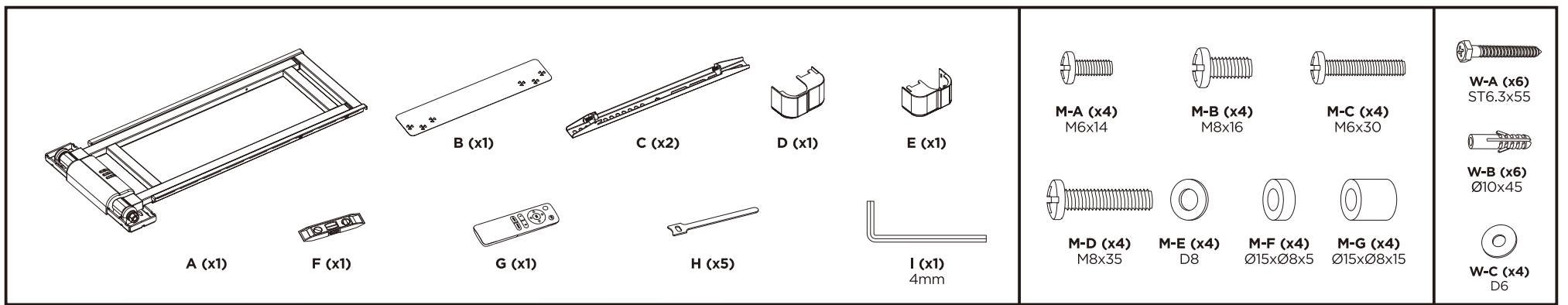
Please contact us to replace the product.



### Motor Can't Stop/Anti-Collision Mechanism Slips

Please contact us to replace the product.





**1 Turn Swing Arm into 90 Degree**

**STEP 1:** Insert batteries into remote, then apply power, and then using a pin or other small item (such as a paperclip) press the code button located on the side of the TV Mount. You will hear a "beep" sound after pressing the code button.

**STEP 2:** Press you will hear a series of "beep" sounds for 10 seconds, the remote control is now successfully paired to the TV Mount.

**STEP 3:** Stand the mount up while holding the swing arm lightly, press the left or right arrow on the remote to open up the swing arm until it reaches 90° or the screw holes on the wall plate are fully accessible. Then unplug the power.

The swing arm needs to be adjusted according to the size of TV.

$X = L/2 + 330(\text{mm})$   
 X: Length of swing arm  
 L: Length of TV

**3**

**4**

**2 Reverse Installation**

**Forward Installation**

**Reverse Installation**

**Forward Installation**

**5**

TOP

**6**

**7**

Connect the cables to your TV and route through the cable clips.  
**Note:** Leave slack in the cables for arm movement.

**8**

**WARNING:** Do not open cover, risk of electrical shock.