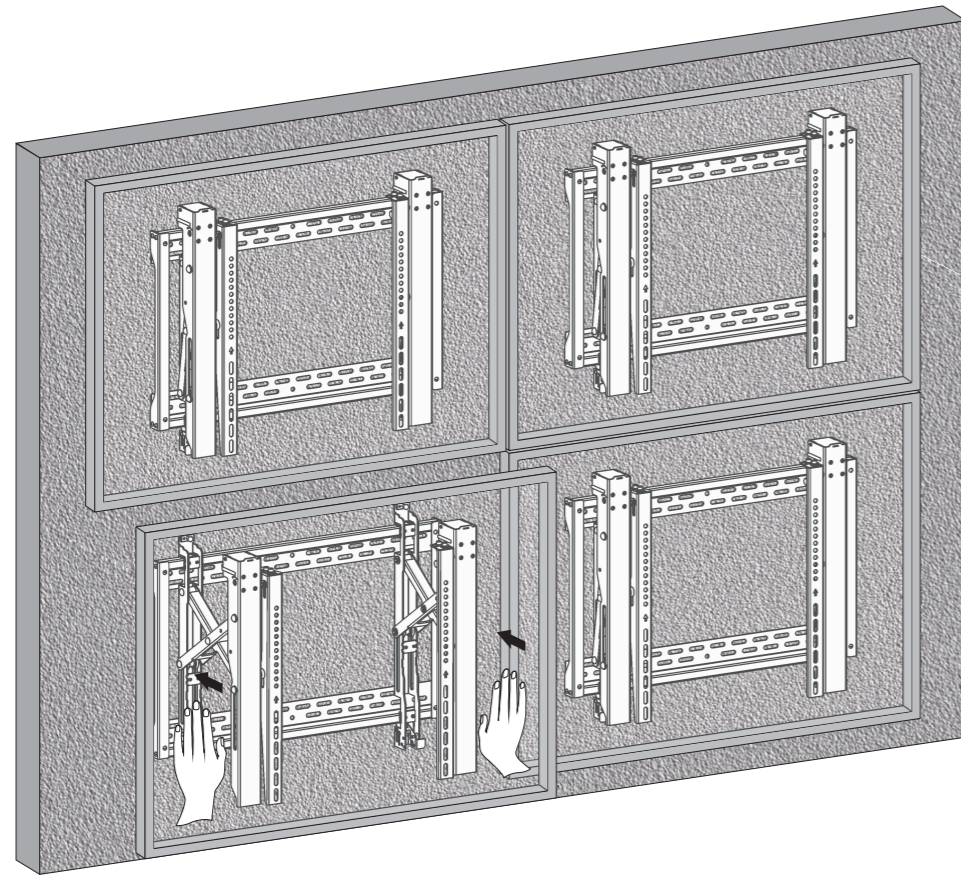
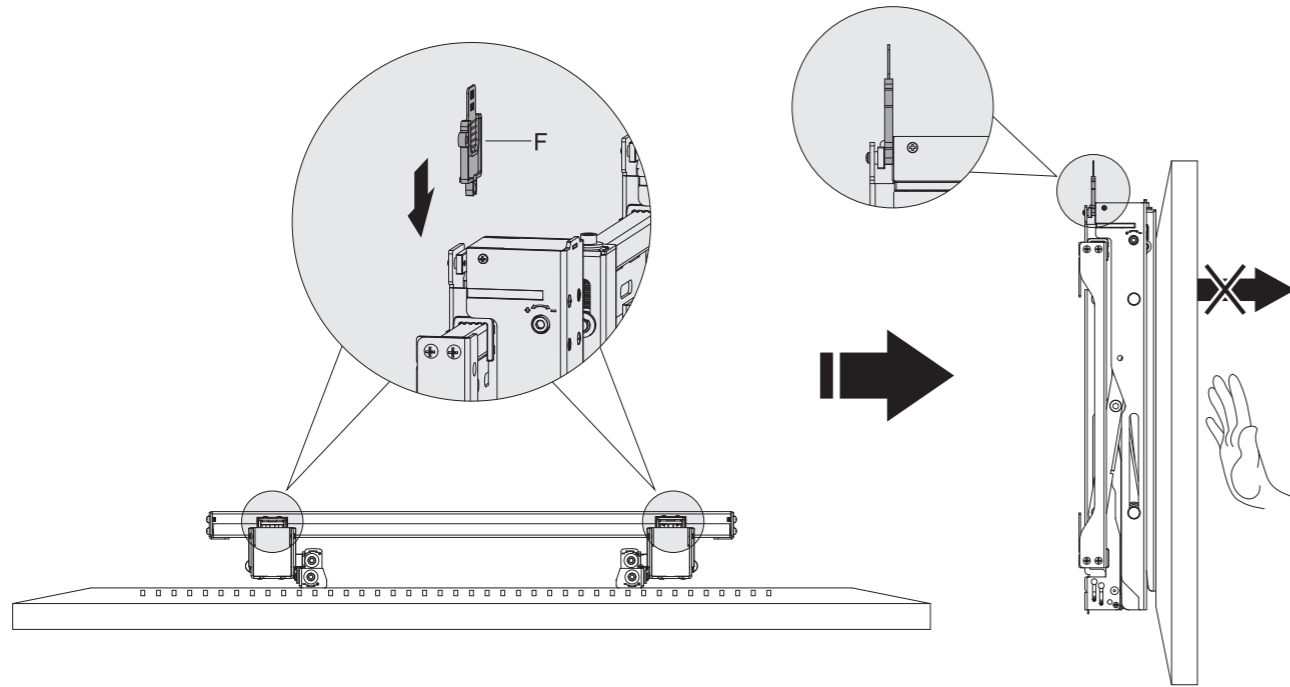


9. Lock the Pop-out Module with the Plastic Locking Pieces

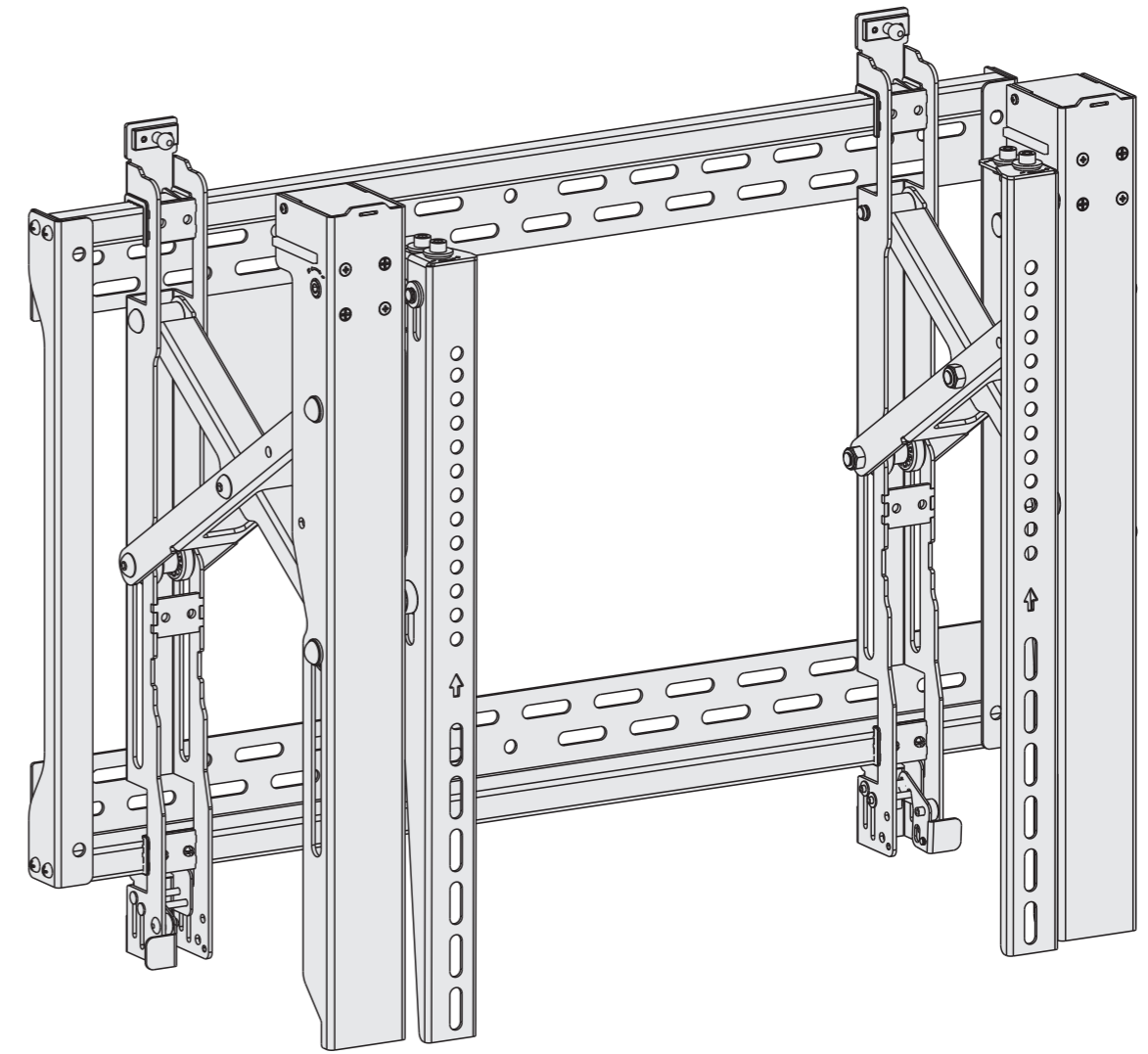


Maintenance

- Check that the bracket is secure and safe to use at regular intervals (at least every three months).
- Please contact your distributor if you have any questions.

Video Wall Mount

CAUTION: DO NOT EXCEED RATED LISTED WEIGHT. SERIOUS INJURY OR PROPERTY DAMAGE MAY OCCUR!



INSTALLATION MANUAL

LVW06-46T

VESA Compatible
200x200 300x200 400x200
300x300 400x300
400x400 600x400

70"
MAX

rated

70kg/154lbs

NOTE: Read the entire instruction manual before you start installation and assembly.

⚠ WARNING

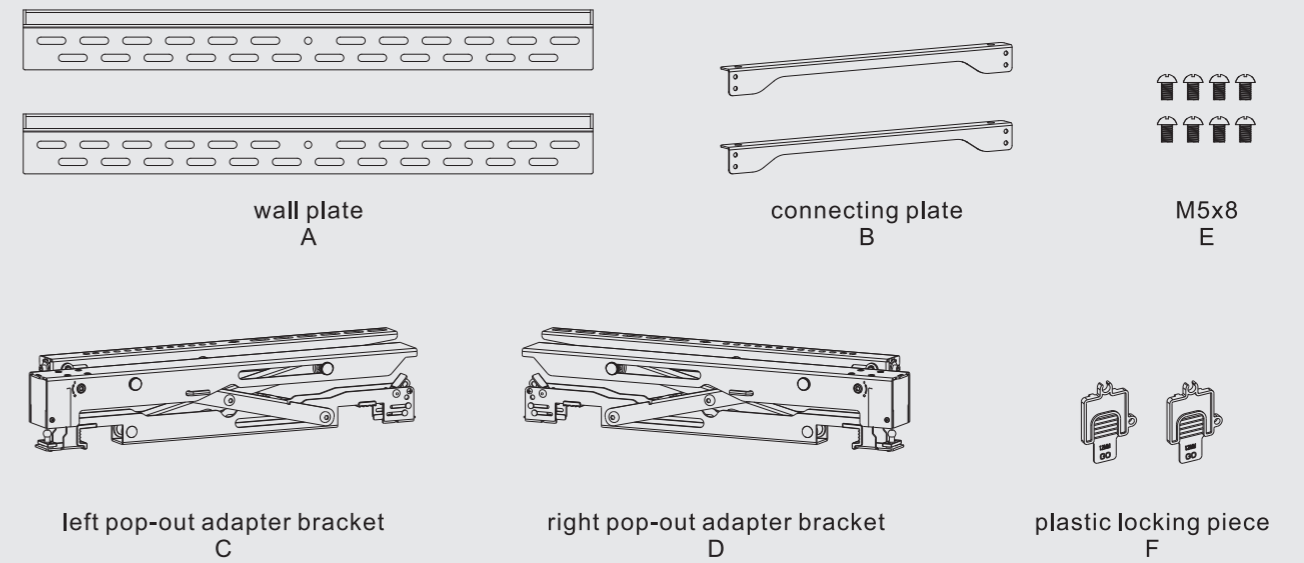
- Do not begin the installation until you have read and understood all the instructions and warnings contained in this installation sheet. If you have any questions regarding any of the instructions or warnings, please contact your local distributor.
- This mounting bracket was designed to be installed and utilised **ONLY** as specified in this manual. Improper installation of this product may cause damage or serious injury.
- This product should only be installed by someone with good mechanical ability who has basic building experience and fully understands this manual.
- Make sure that the supporting surface will safely support the combined weight of the equipment and all attached hardware and components.
- Always use an assistant or mechanical lifting equipment to safely lift and position the equipment.
- Tighten screws firmly, but do not over tighten. Over tightening can cause damage to the items, This greatly reduces their holding power.
- This product is intended for indoor use only. Using this product outdoors could lead to product failure and personal injury.

Required for Installation

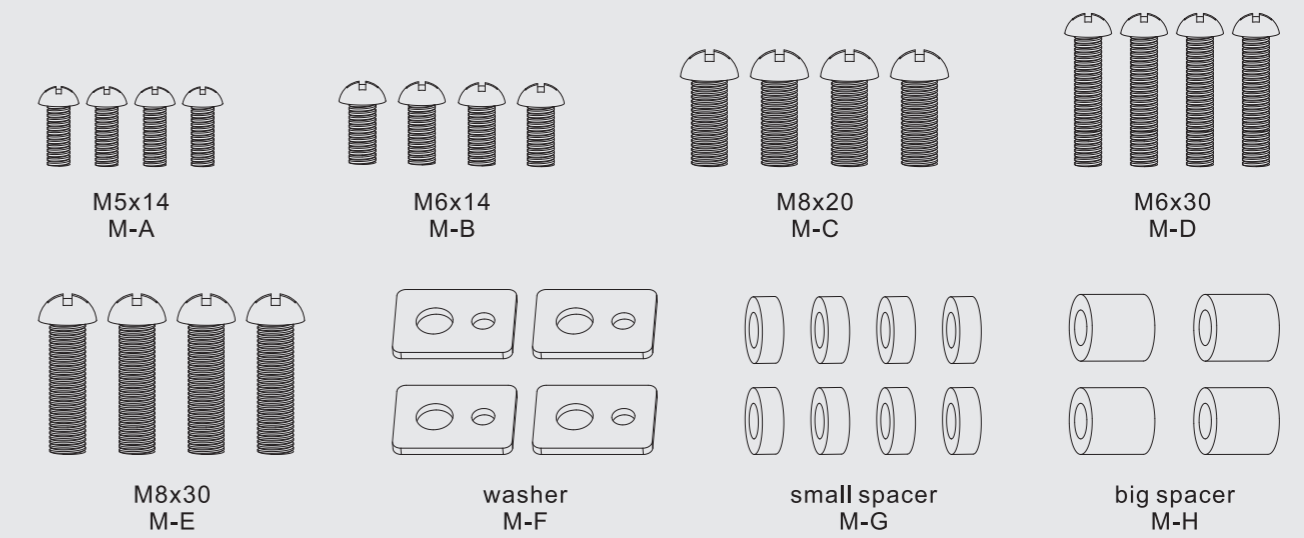


Component Checklist

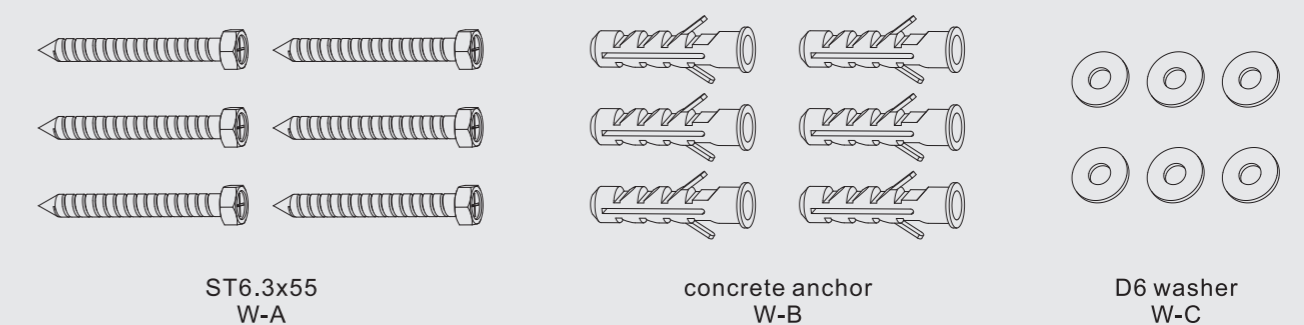
IMPORTANT: Ensure that you have received all parts according to the component checklist prior to installation. If any parts are missing or faulty, telephone your local distributor for a replacement.



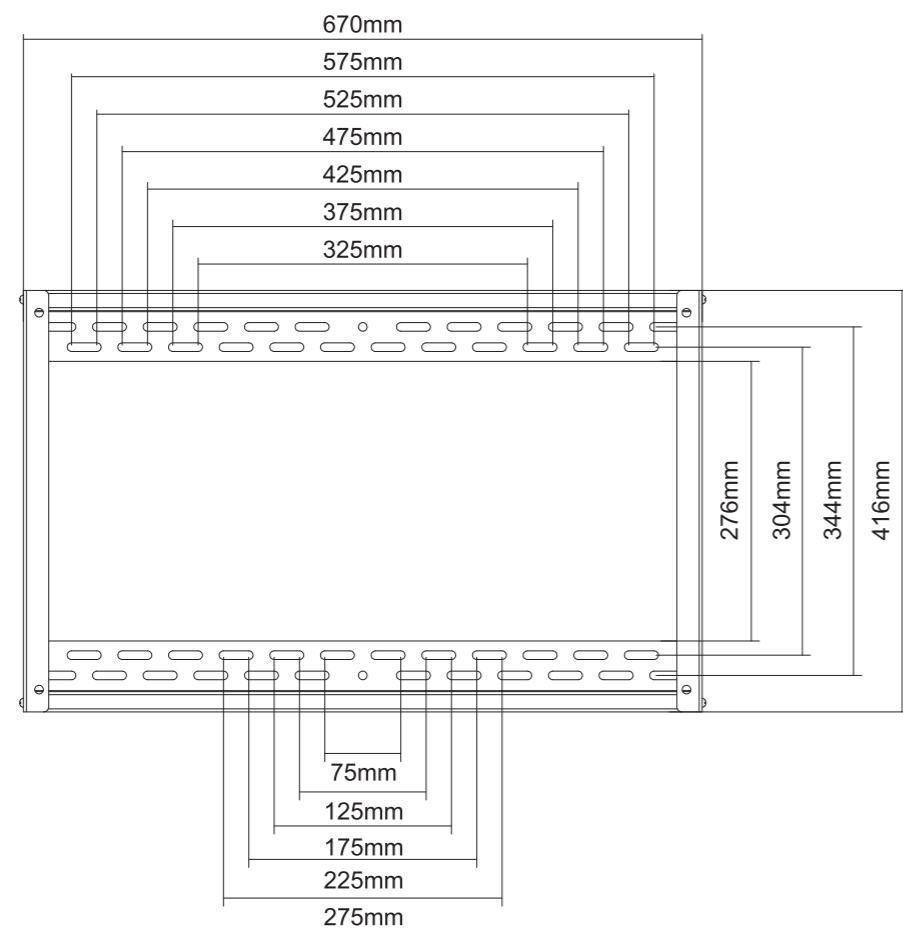
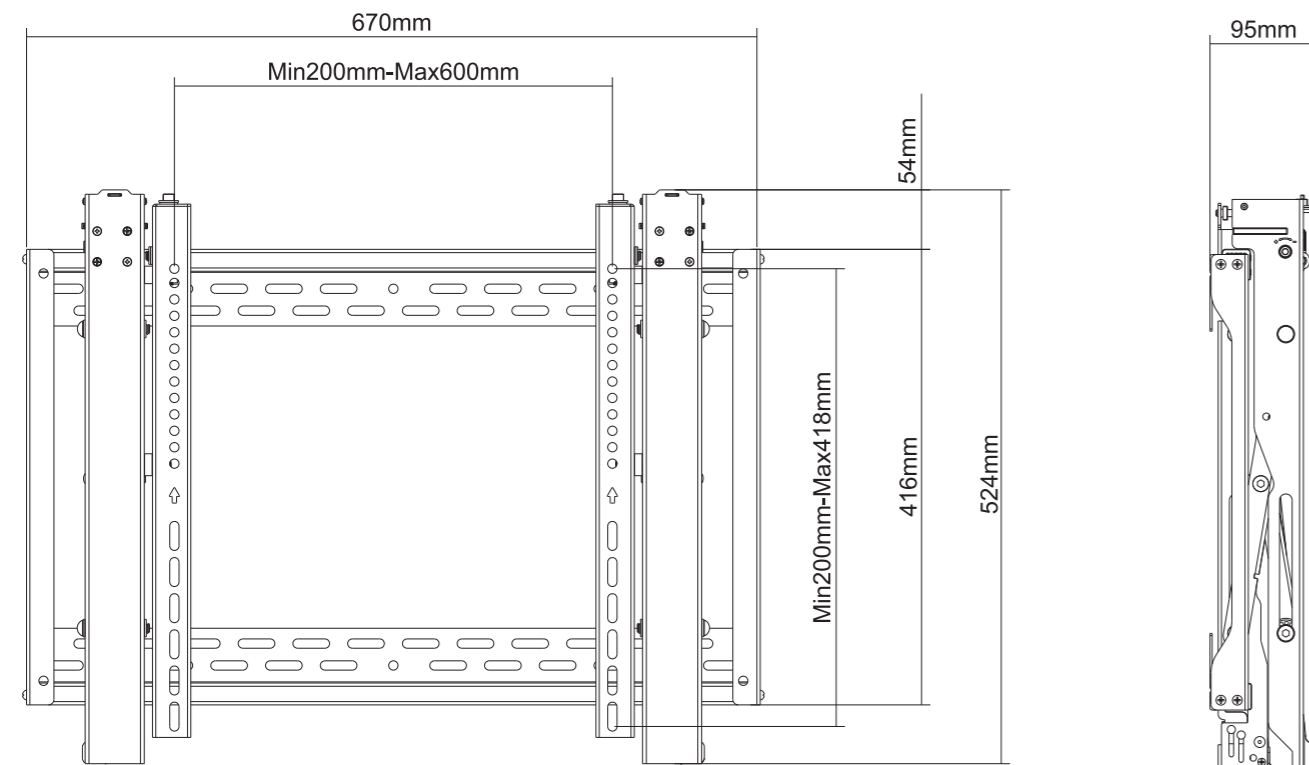
Package M



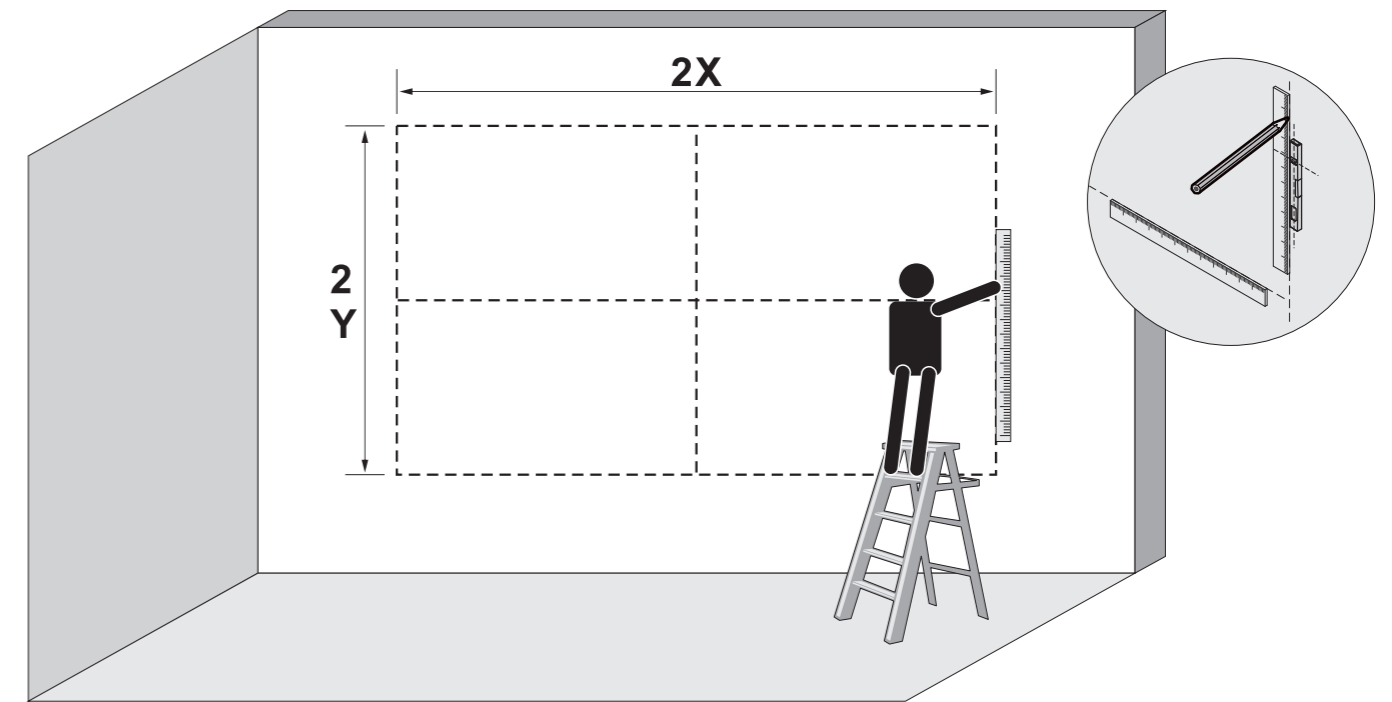
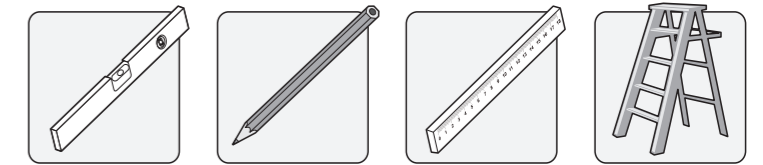
Package W



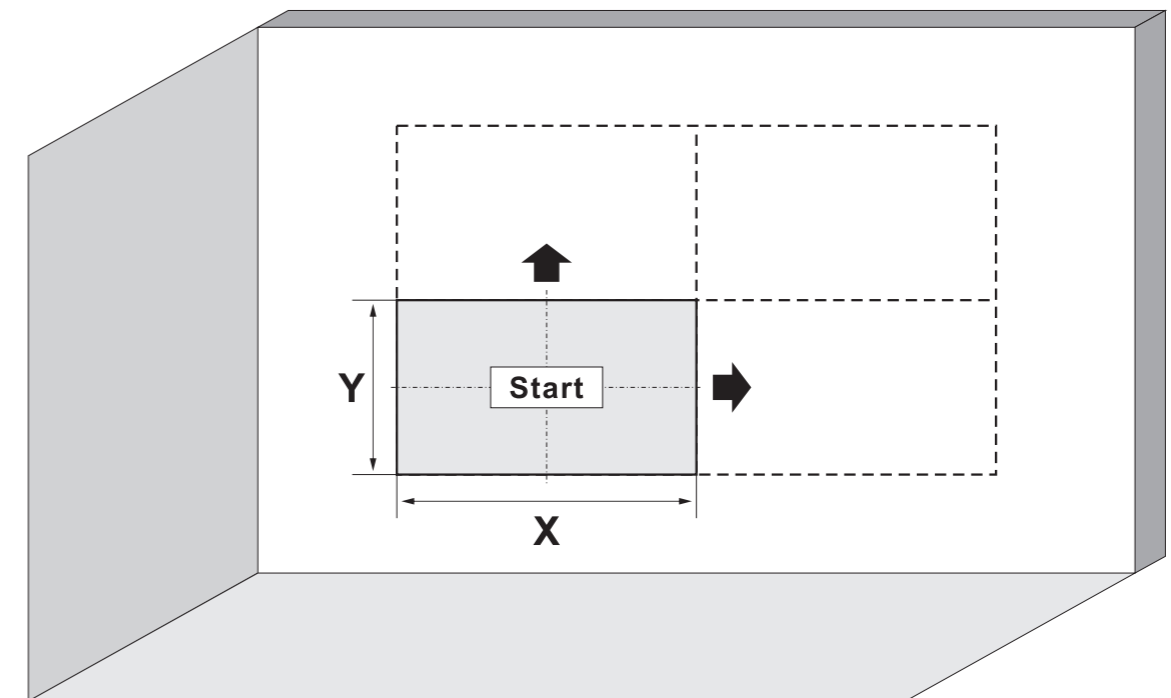
1. Product Dimensions



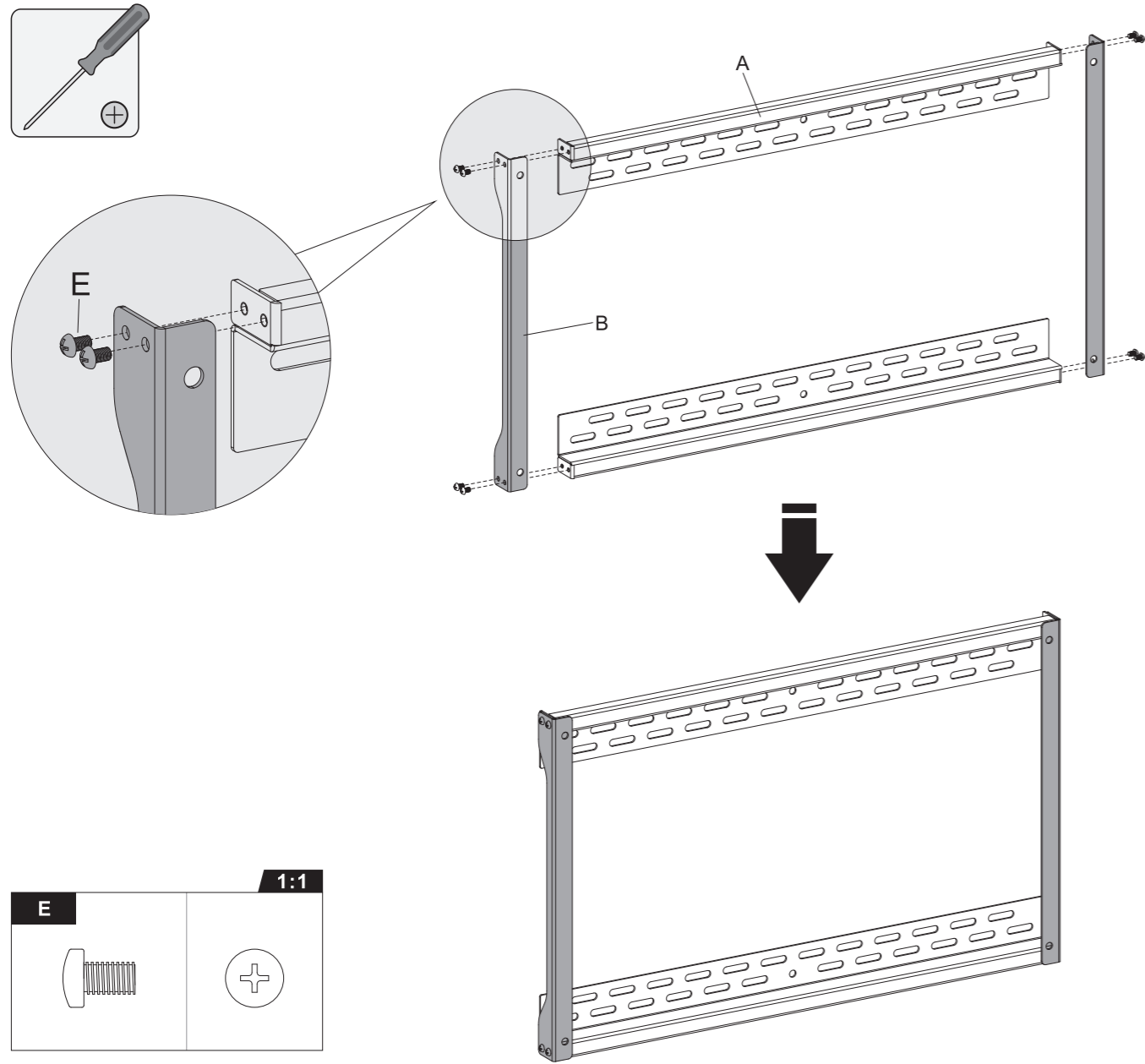
2. Video Wall Installation



X=Length of display Y=Height of display

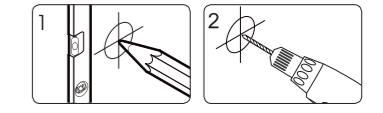
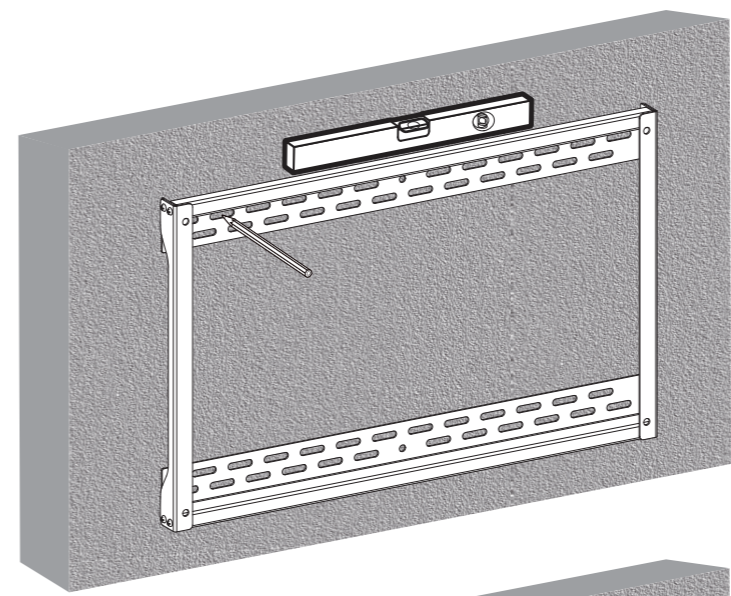


3. Assembling the Wall Plate

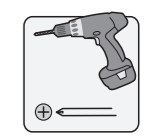


Attach the connecting plates to the wall plates using the appropriate screws.

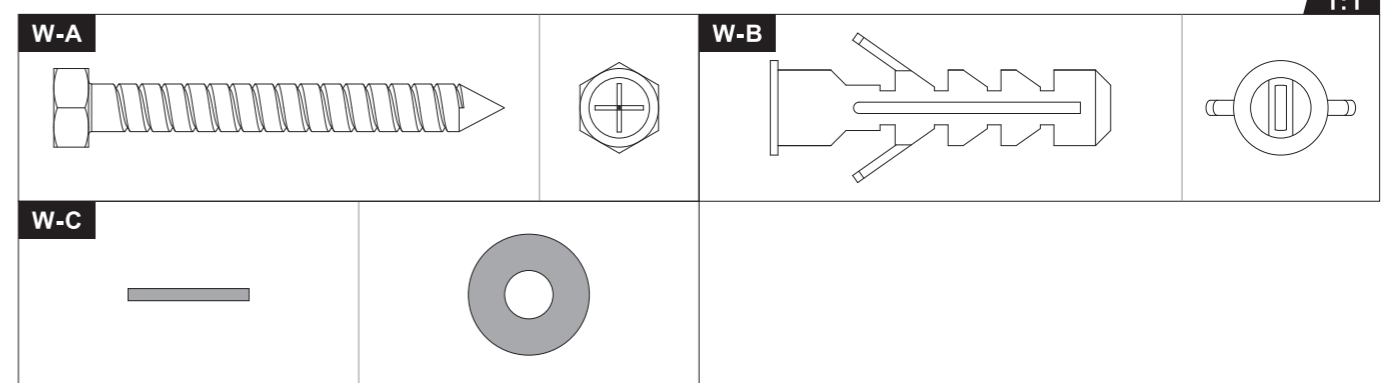
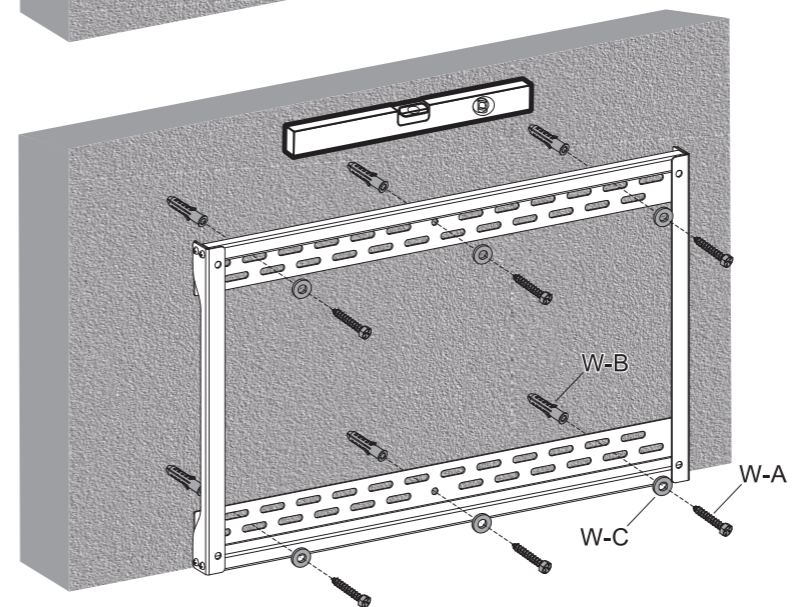
4. For Solid Brick and Concrete Wall Mounting



Mark the exact location of mounting holes



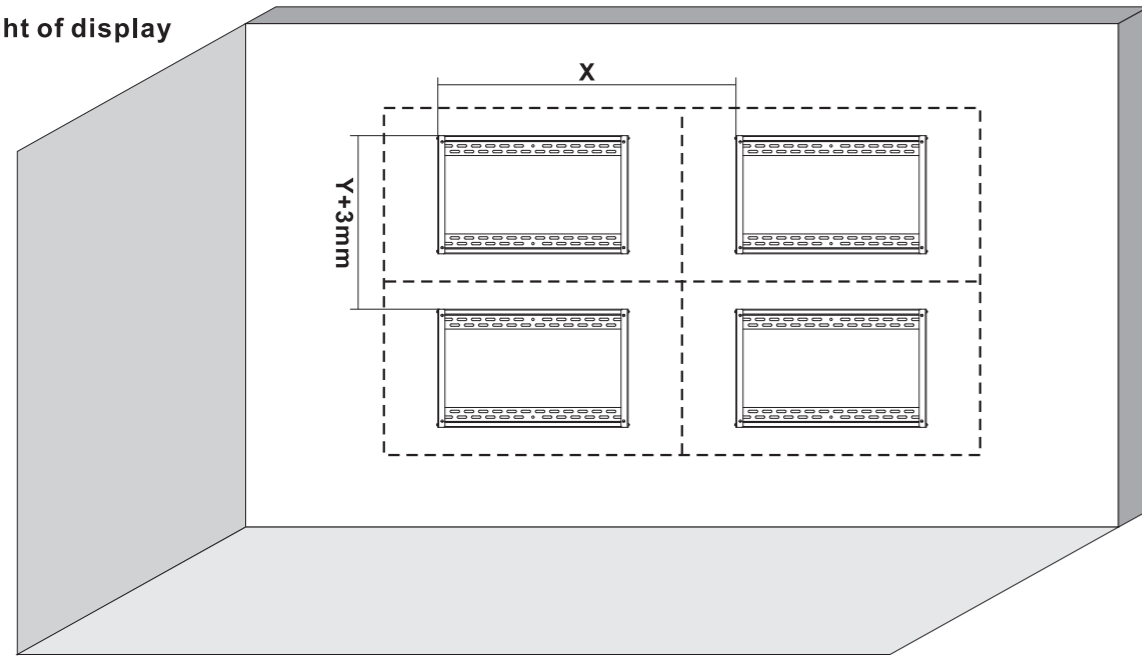
Screw the wall plate onto the wall



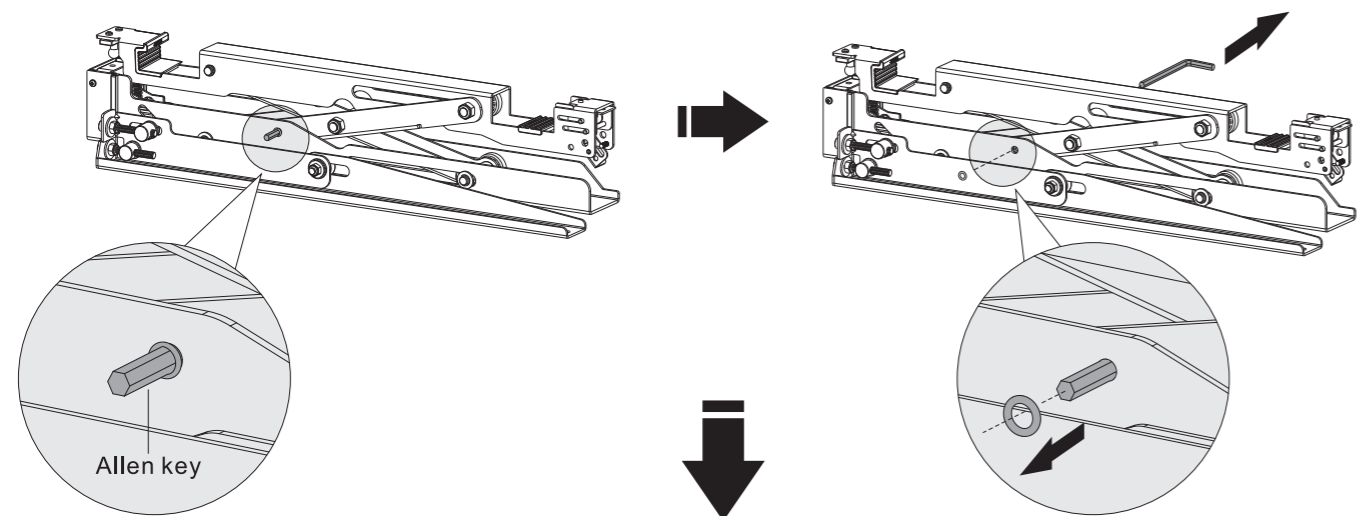
! WARNING

Installers must verify that the supporting surface will safely support the combined weight of the equipment and all attached hardware and components.

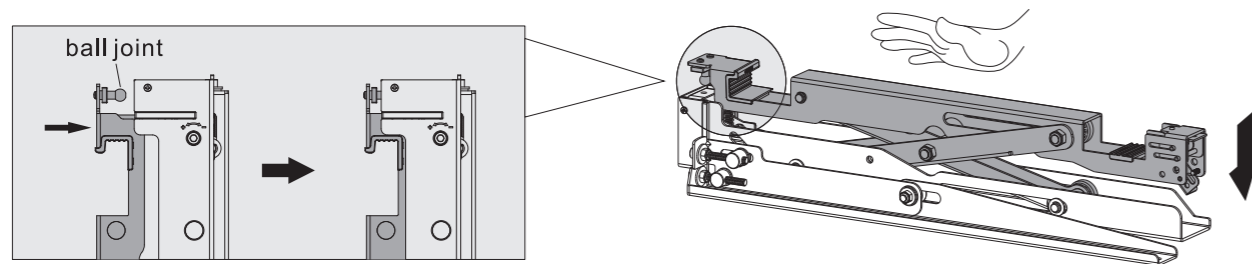
X=Length of display
Y=Height of display



5. Installing the Pop-out Adapter Brackets



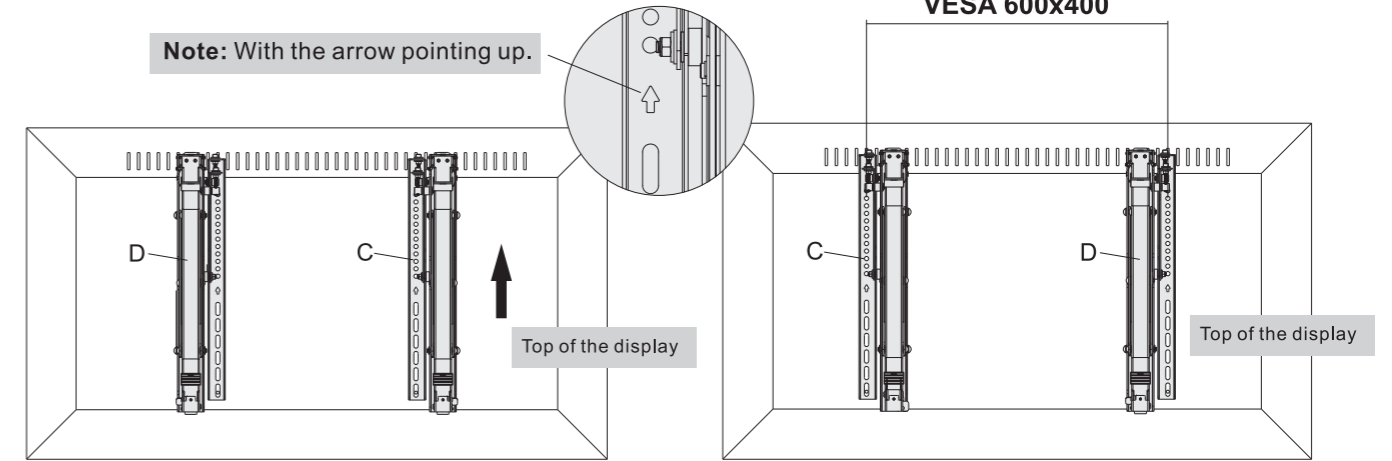
Remove the Allen key from the pop-out adapter brackets.



Push the pop-out arm until the ball joint snaps into place.

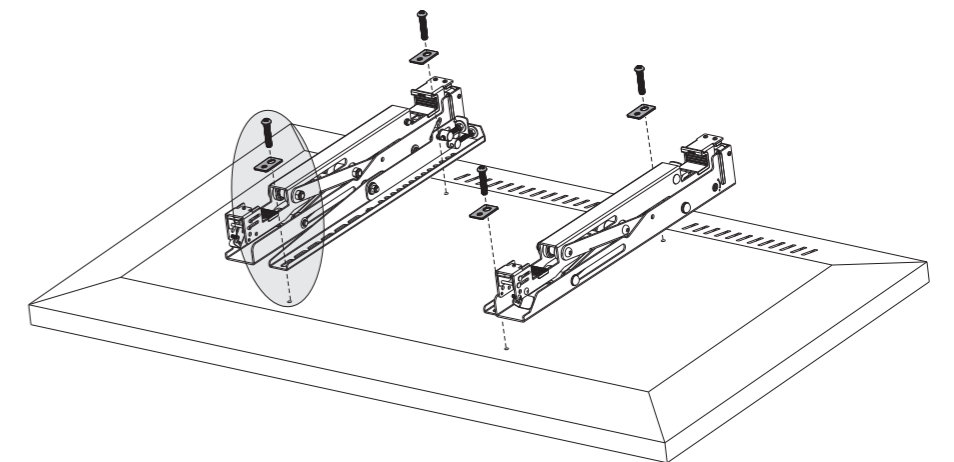
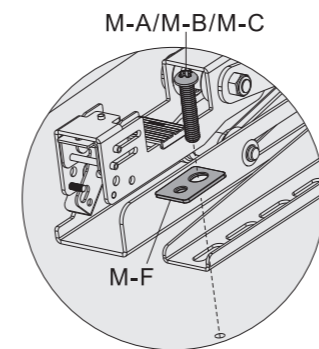
VESA 600x400

Note: With the arrow pointing up.



For VESA 600x400, the positions of "D" and "C" are exchanged.

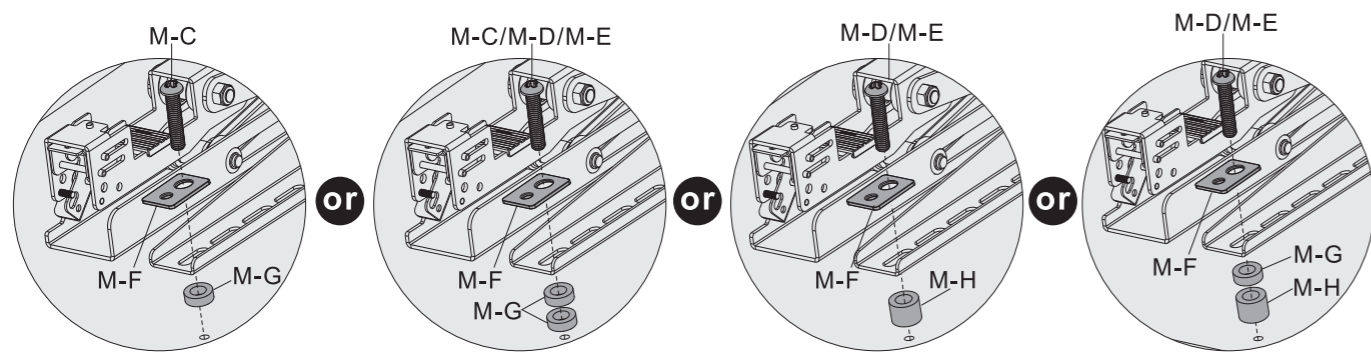
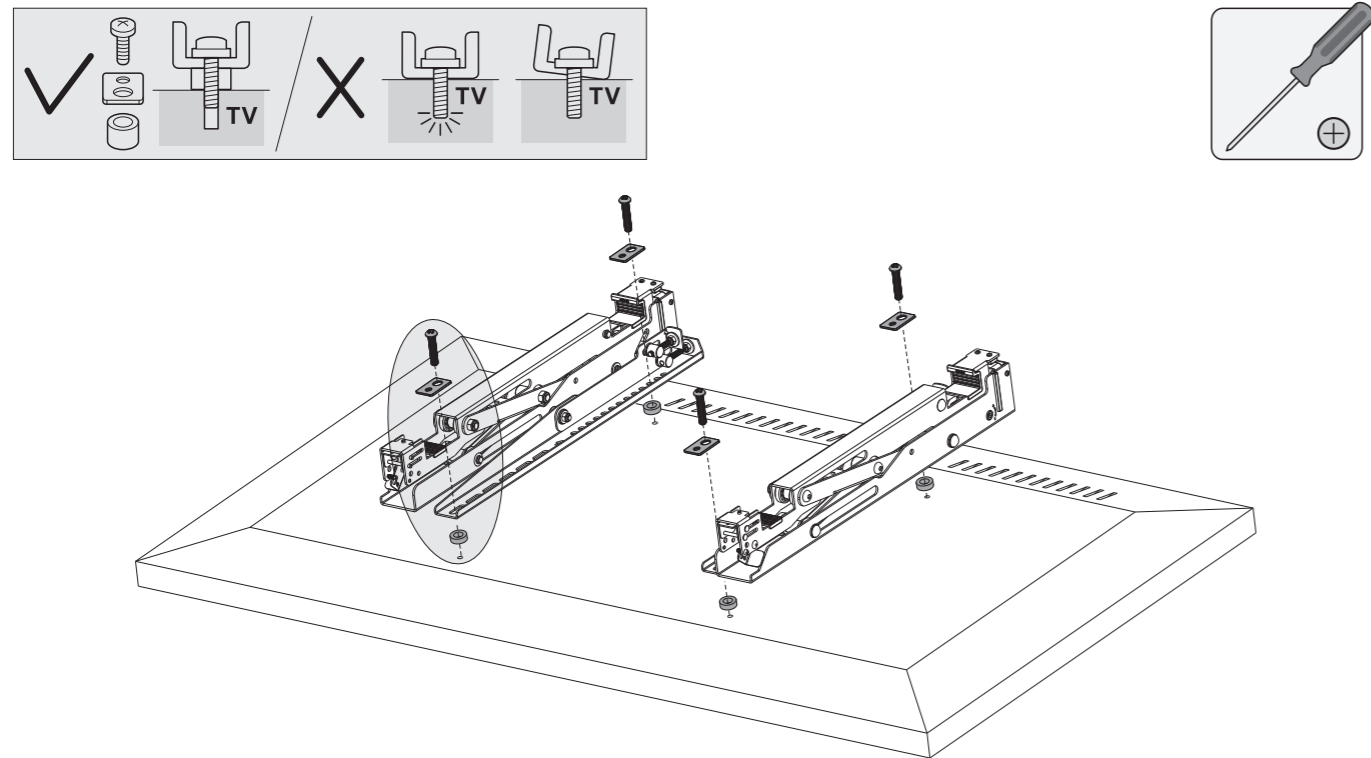
5-1. For Flat Back Screens



M-A			M-B		
M-C			M-F		

1:1

5-2. For Bump-out or Recessed Back Screens



M-C			M-D		
M-E			M-F		
M-G			M-H		

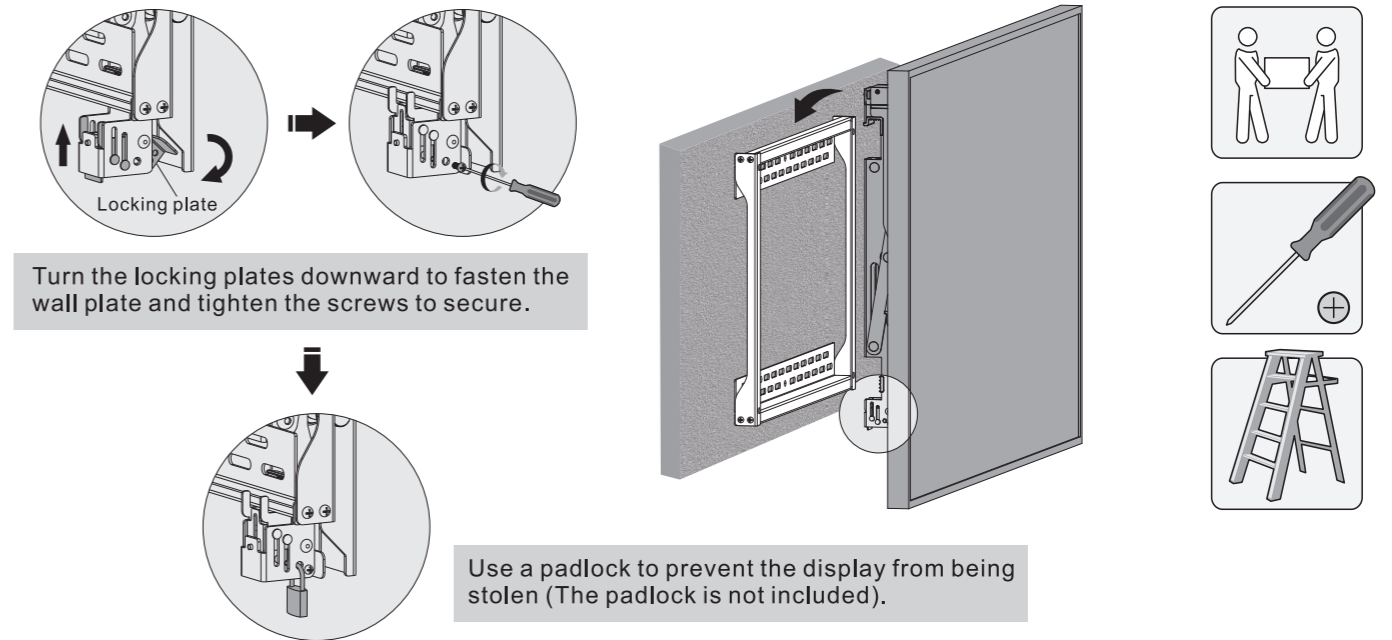
1:1

Note: Choose the appropriate screws, washers and spacers (if necessary) according to the type of screen.

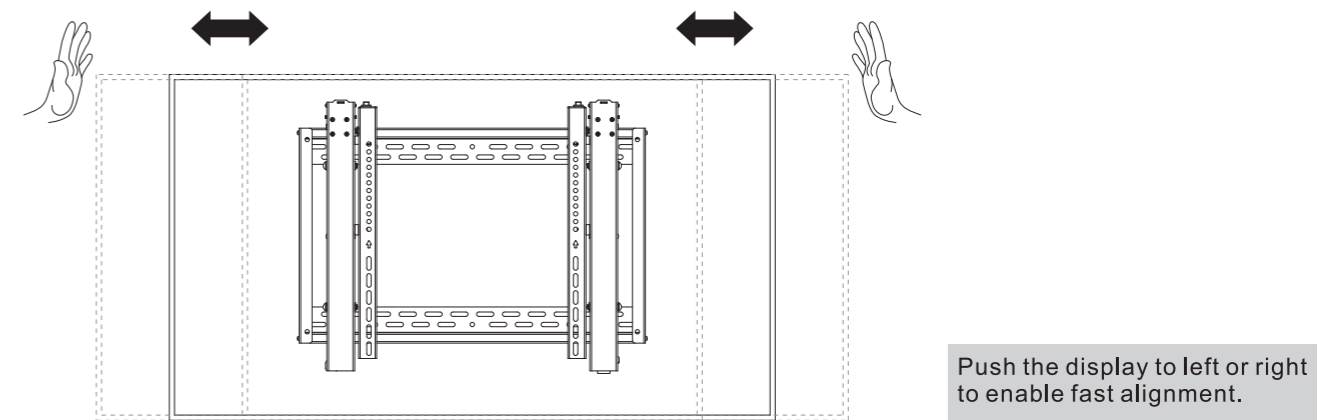
- Position the adapter brackets as close as possible to the center of the display.
- Screw the adapter brackets onto the display.

Tighten all screws but do not over tighten.

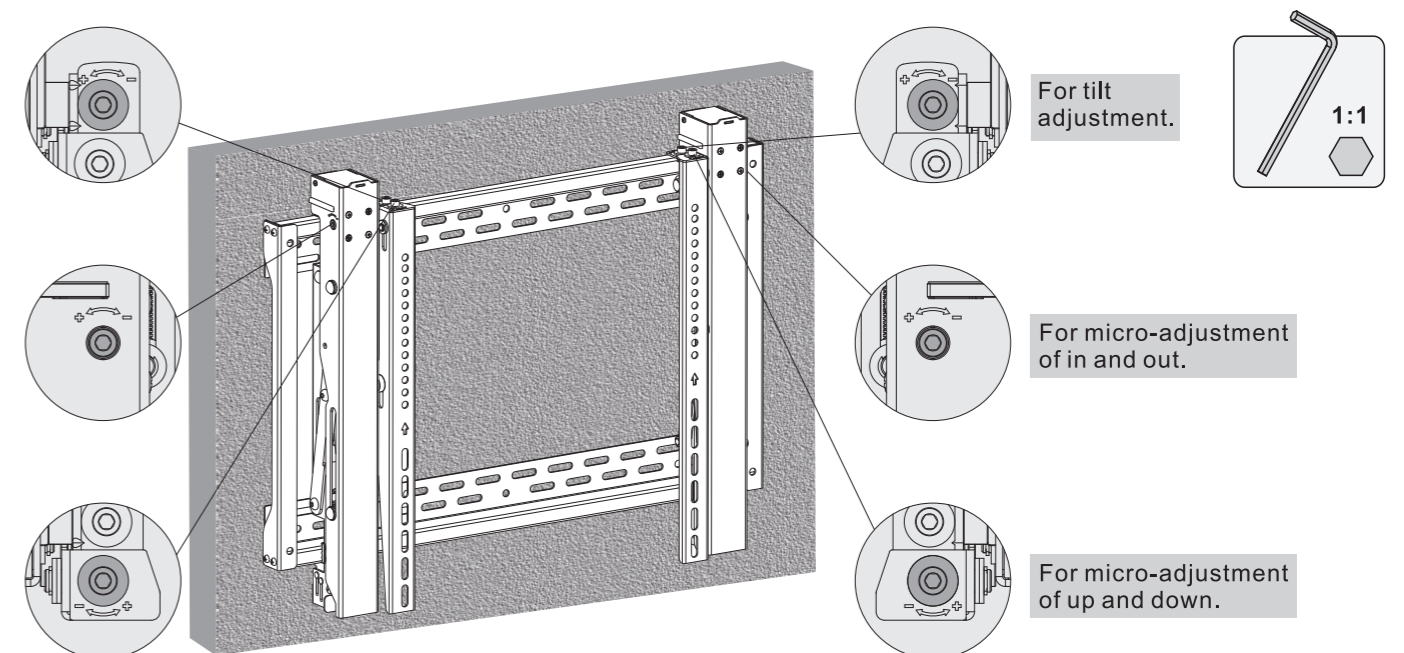
6. Hooking the Display onto the Wall Plate



7. Adjustment

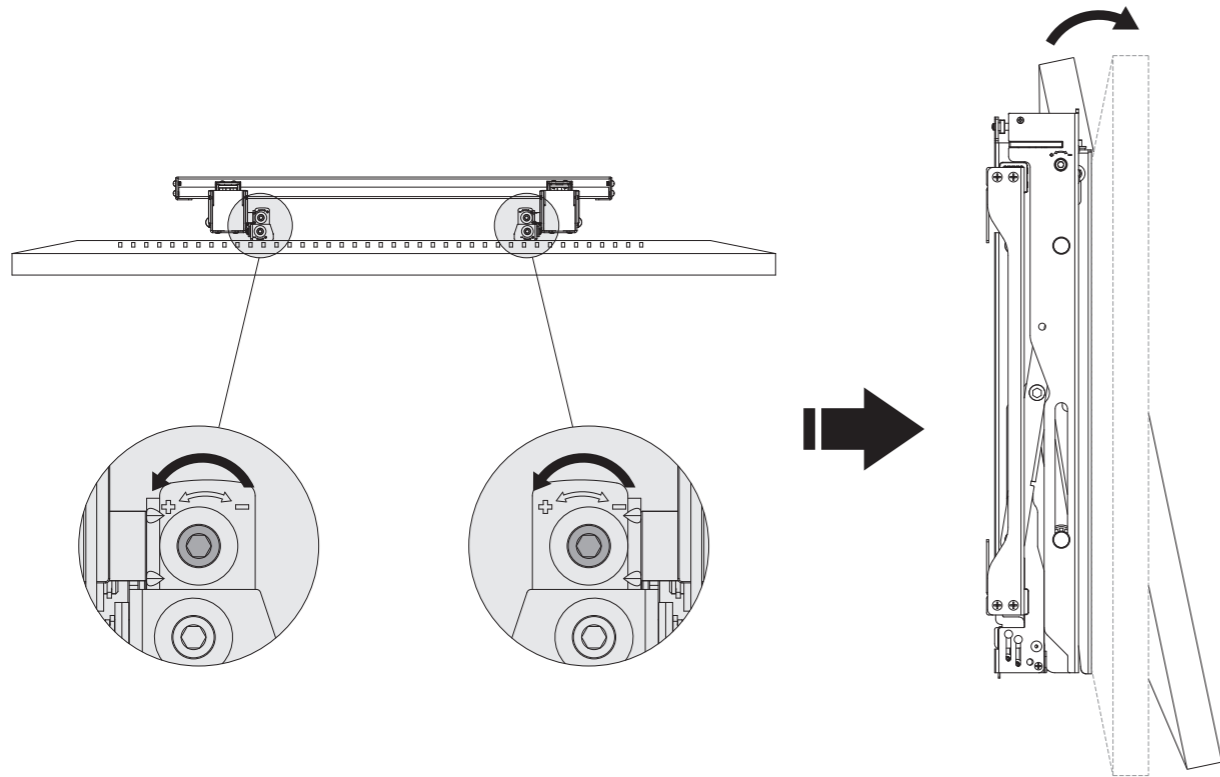


Micro Adjustment

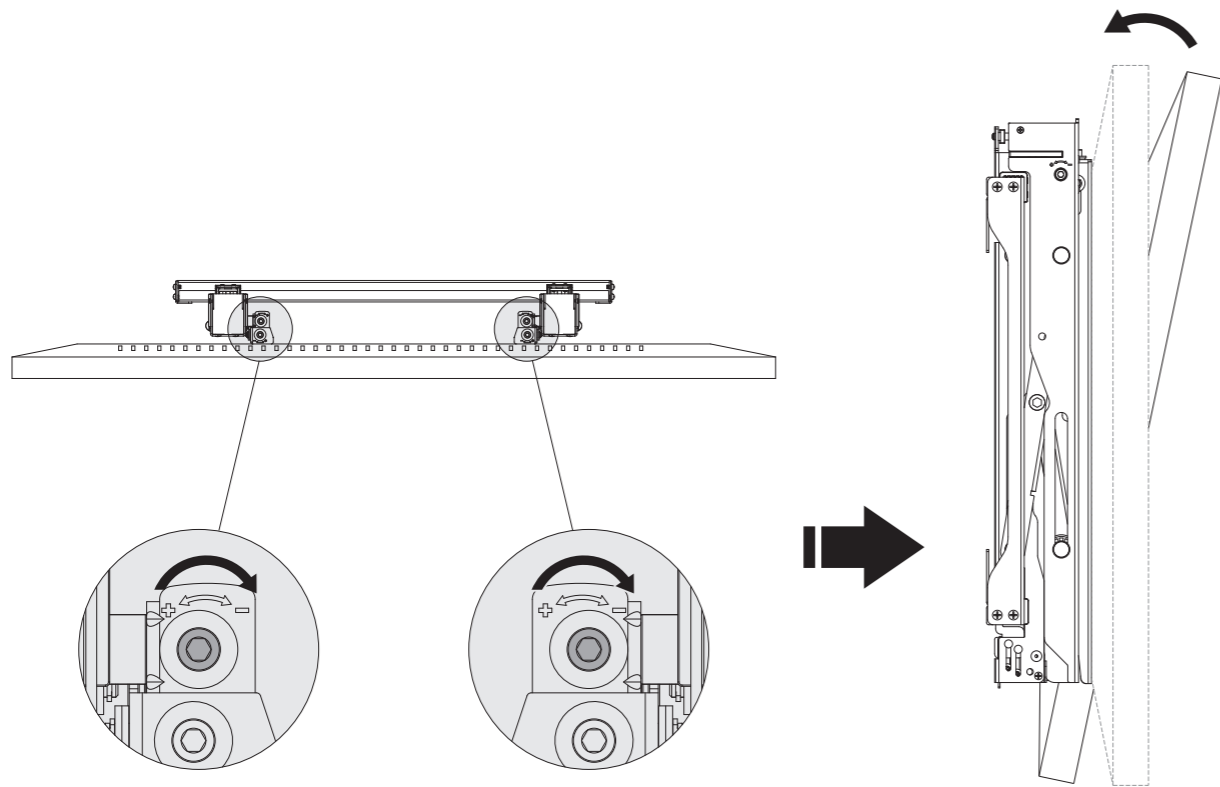


Tilt adjustment

1

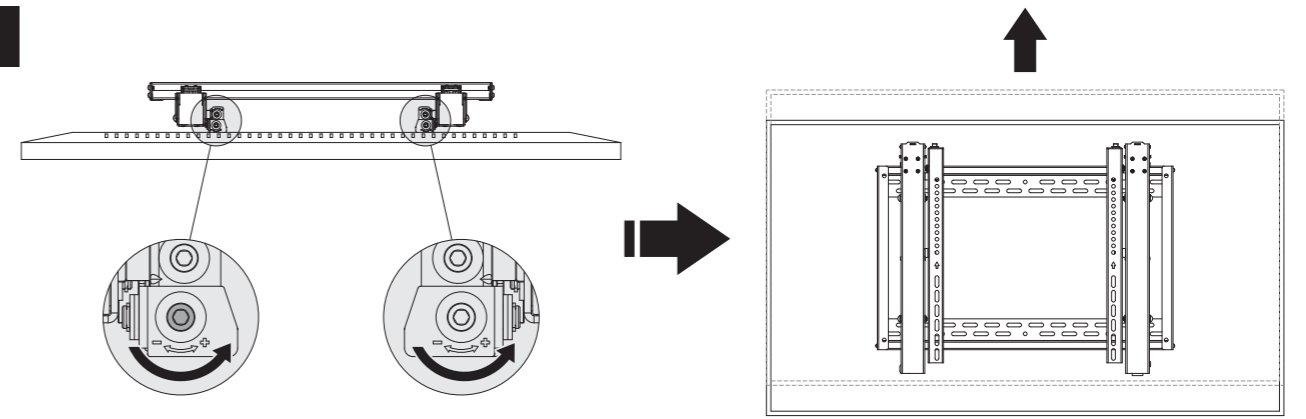


2

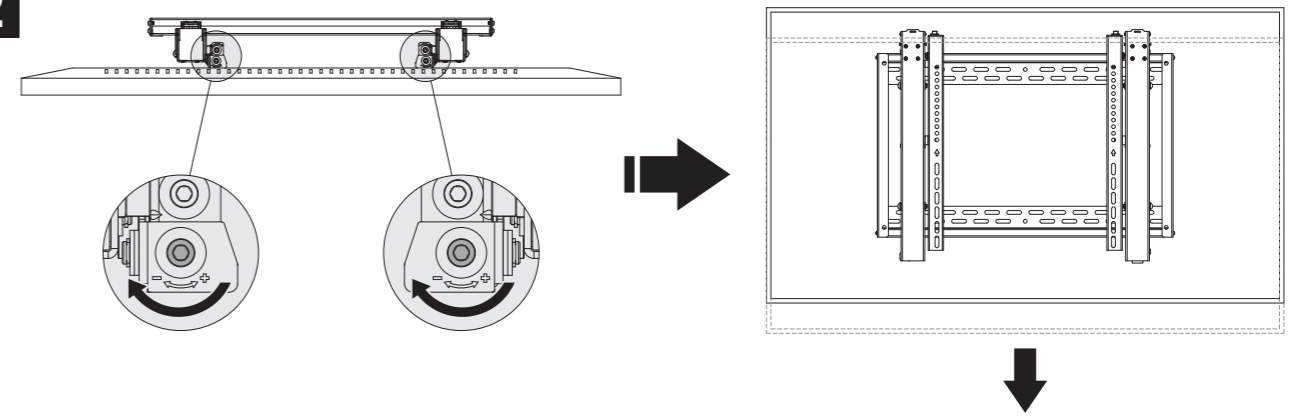


Height adjustment

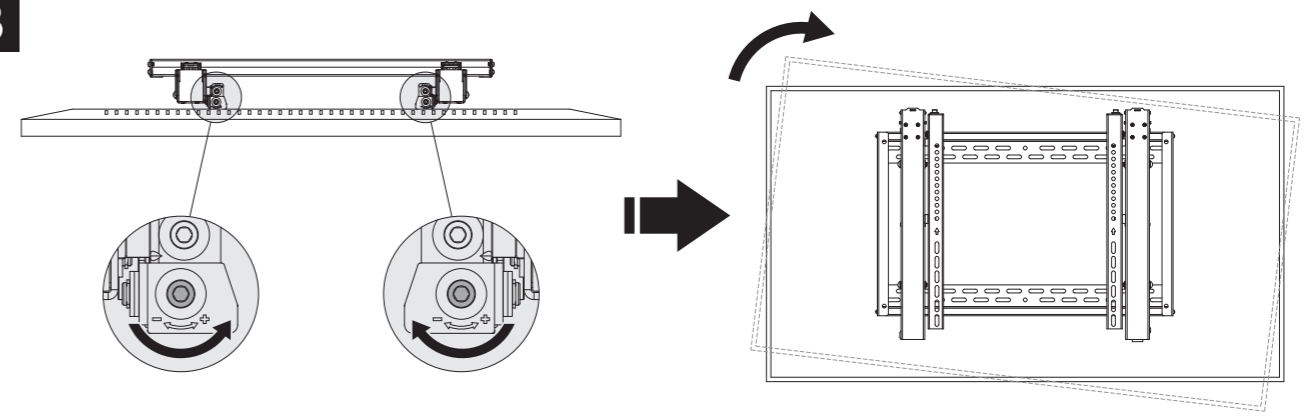
1



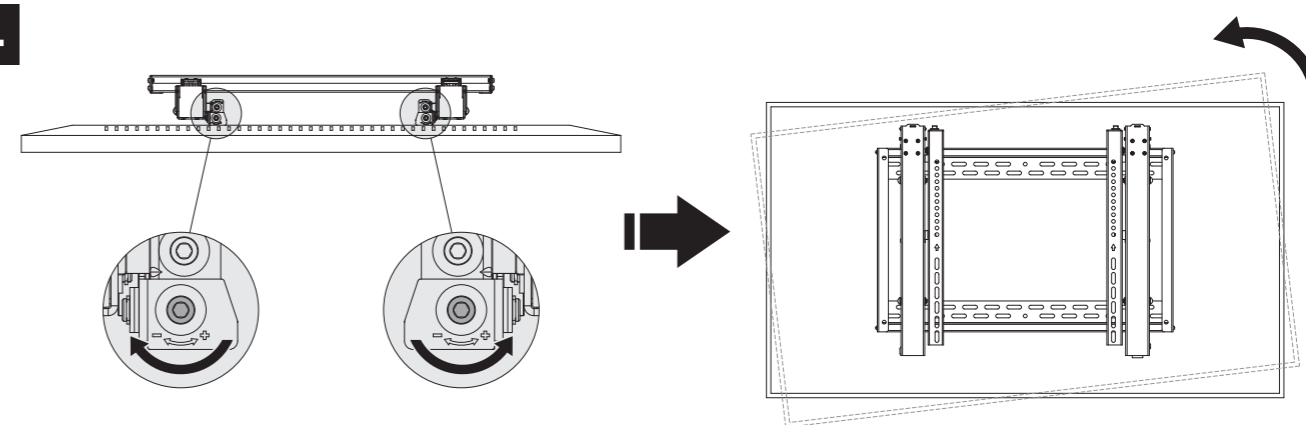
2



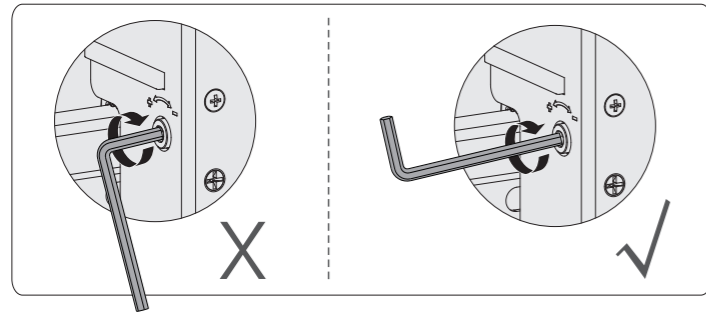
3



4



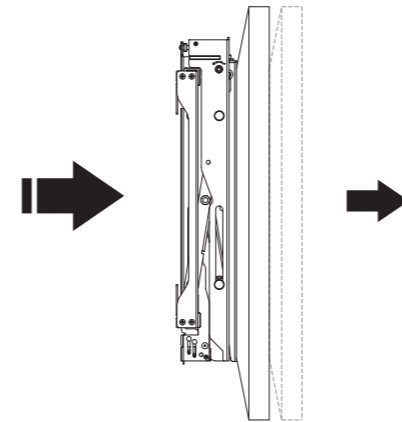
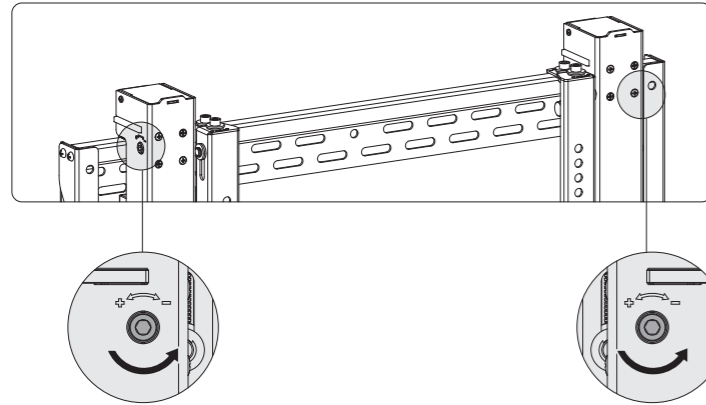
Depth adjustment



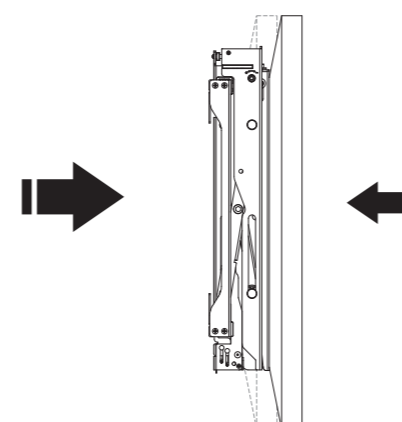
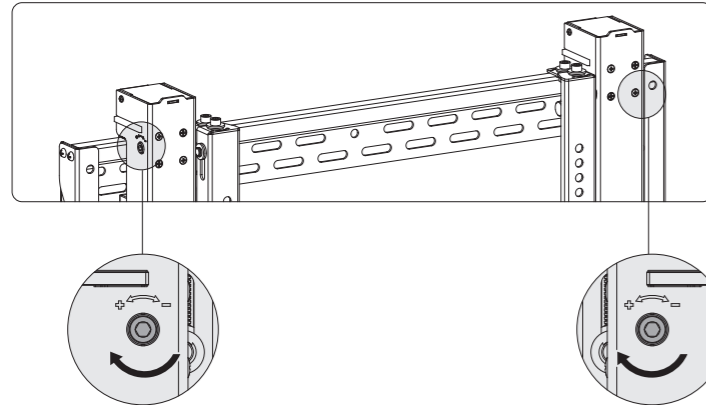
Note:

- Don't use the short end of Allen key to tighten the adjustment screw.
- Use the long end of Allen key to tighten the adjustment screw.

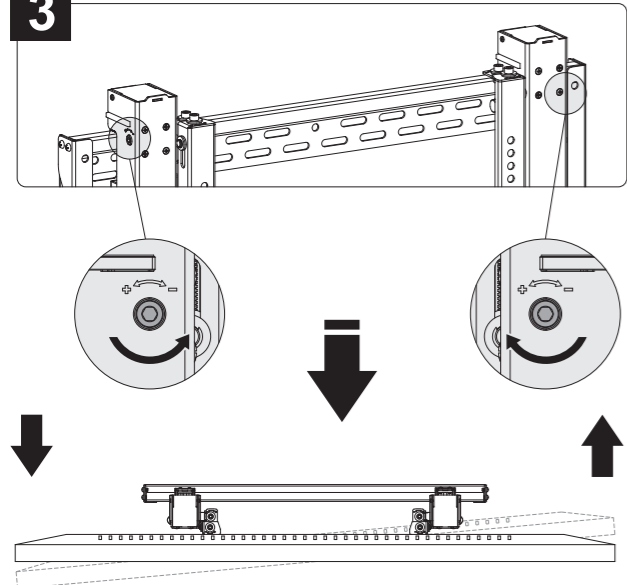
1



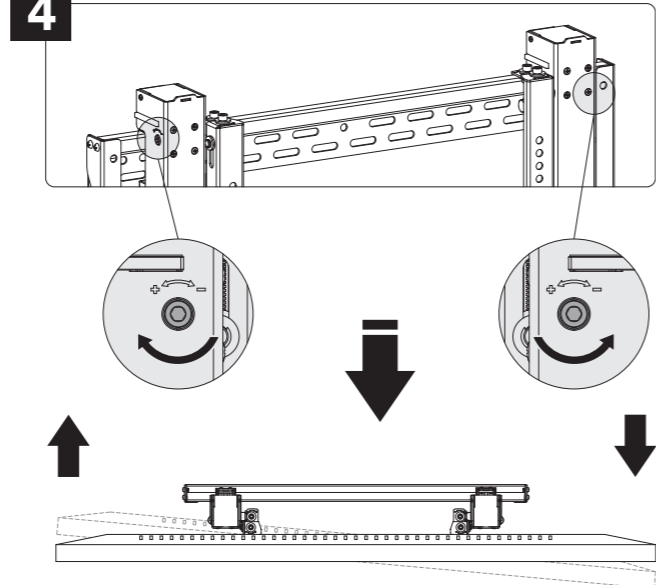
2



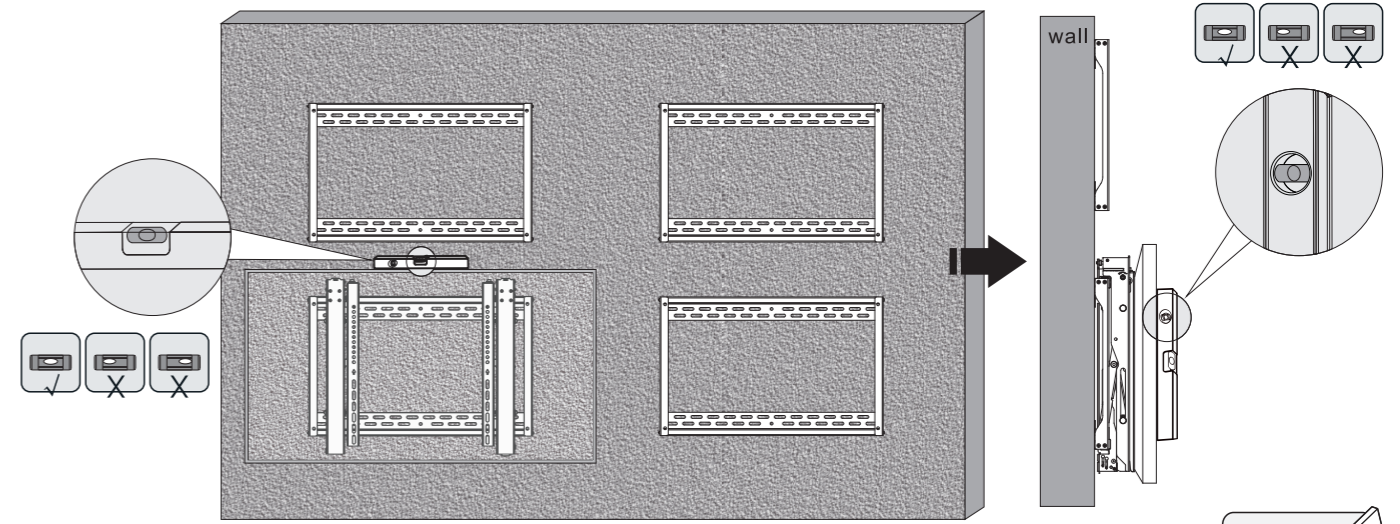
3



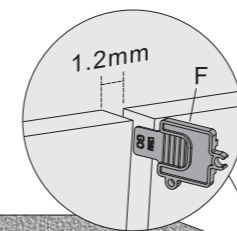
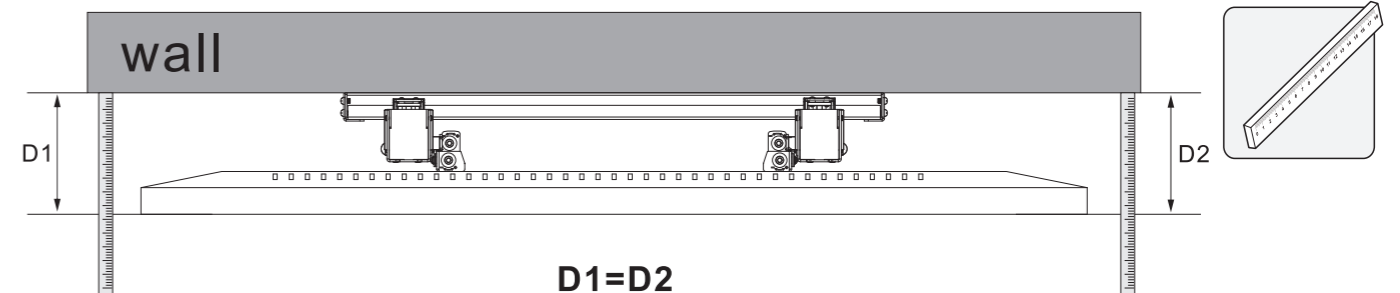
4



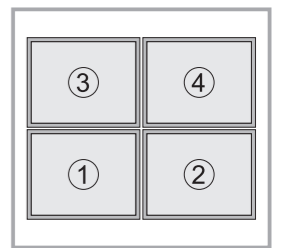
8. Level the Displays



Adjust the display to keep level in vertical and horizontal directions.



Note: Use the plastic locking piece to measure and keep a 1.2 mm gap between displays.



Note: Install/adjust the displays by the numerical order given.

