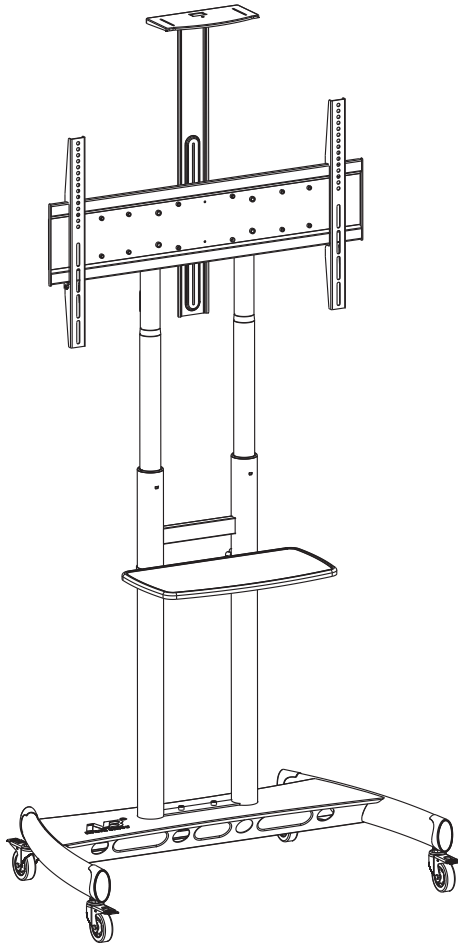




INSTALLATION INSTRUCTION



AVA1800-70-1P

Floor Stand TV Mobile Cart
VESA : 200x200-800x500 mm
For smart TV panels : 55"-90"
Shelf Max Load : 10 lbs / 4.5 kg
Video Tray Load : 10 lbs / 4.5 kg
Weight capacity : 200 lbs / 90.9 kg

Kunshan Hongjie Electronics Co., Ltd

1050, Fu Chun Jiang Road, Economic Development Zone.

Kunshan City, Jiangsu Province, China. 215333

<http://www.new-nb.com>

E-mail: info@nbavmount.com

We reserve the right to modify or alter instructions. No modification or alteration without formal notice.

Table of Contents

Table of Contents and Product maximum weight representation 2/14

Warning 3/14

Parts list 4/14

Assembly and Installation

1. 1 Castor wheels to base installation 5/14

1. 2 Poles assembly to base installation 5/14

2. Telescopic mounting poles installation 6/14

3. AV shelf installation 7/14

4. Interface installation 8/14

5. VESA mounting patterns 9/14

6. Selection of TV mounting patterns 10/14

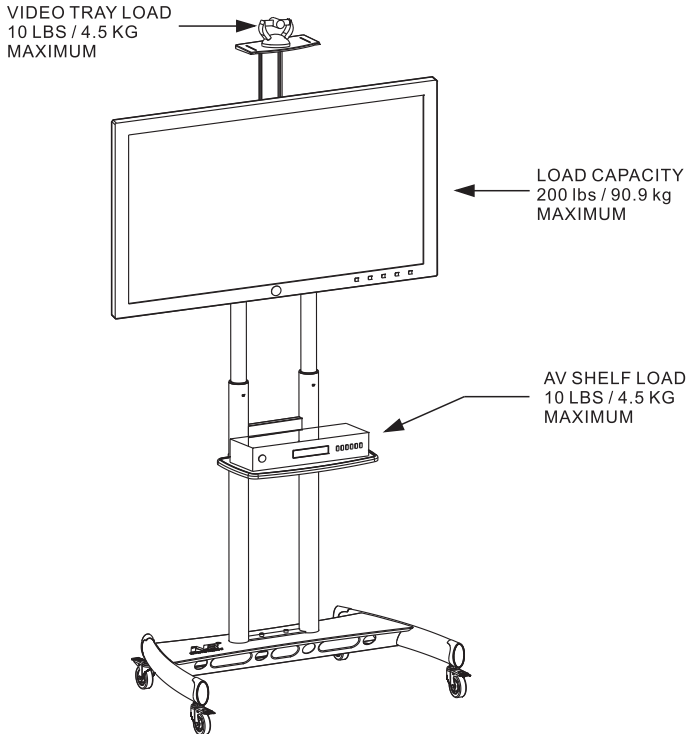
7. Mounting TV on poles interface 11/14

8. Video tray installation 12/14

9. TV height re-set and cables and wires installation 13/14

10. Product specifications 14/14

★ Can fit smaller or larger TVs depending upon VESA and TV weight.



WARNING!

Severe personal injury and property damage can result from improper installation or assembly. Read the following warning carefully before beginning.









- If you do not understand the instructions or have any concerns or questions, please contact a qualified local installer.
 - Do not install or assemble if the product or hardware is damaged or missing, if you require replacement parts, please contact your local distributor for assistance.
 - This product fits most 55"-90" LCD/plasma screen; maximum weight of LCD/plasma screen:200lbs/90.9kg; AV shelf max load:10lbs/4.5kg; Video tray max load:10lbs/4.5kg.
 - Do not use this product for anything other than the original design.
 - This product contains moving parts, please use with caution.
 - The manufacturer disclaims any liability for the modifications, improper installation, or installation over the specified weight range. The manufacturer will not be liable for any damages arising out of the use of, or inability to use, the product.
 - Death or serious injury may occur when children climb on audio and/or video equipment furniture. A remote control or toys placed on the furnishing may encourage a child to climb on the furnishing and as a result the furnishing may tip over on to the child." or equivalent.
 - Relocating audio and/or video equipment to furniture not specifically designed to support audio and/or video equipment may result in death or serious injury due to the furnishing collapsing or over turning onto a child." or equivalent.
 - Use with products heavier than the maximum weights indicated may result in instability causing possible injury.
- ▶ All images are for reference, to prevail in product.

ATTENTION!

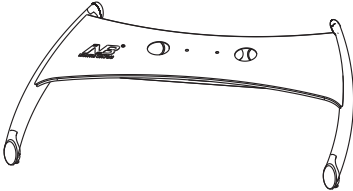
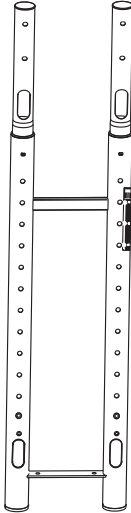
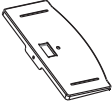
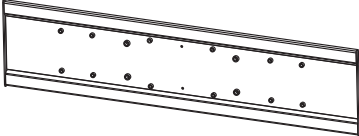
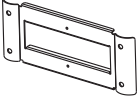


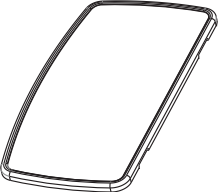

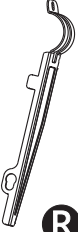









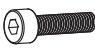






Des blessures graves et des dommages matériels peuvent résulter d'une mauvaise installation de réunion. Lire l'avertissement suivant attentivement avant de commencer.

- Si vous ne comprenez pas les instructions ou avez des préoccupations ou des questions, s'il vous plaît contacter un installateur local qualifié.
 - Ne pas installer ou de montage si le produit ou le matériel est endommagé ou manquant, si vous avez besoin des pièces de rechange, s'il vous plaît contacter votre distributeur local pour l'assistance.
 - Ce produit convient à la plupart 55" - 90" écran plasma / LCD; Poids maximum de l'écran LCD / plasma:200lbs / 90.9 kg; étagère AV charge max: 10 lbs /4.5 kg; Vidéo plateau charge maxi: 10 lbs / 4,5 kg.
 - Ne pas utiliser ce produit pour autre chose que la conception originale.
 - Ce produit contient des pièces en mouvement, s'il vous plaît utiliser avec prudence.
 - Le fabricant décline toute responsabilité pour les modifications, une mauvaise installation ou d'une installation sur la gamme de poids spécifié. Le fabricant ne sera pas responsable de tout dommage découlant de l'utilisation ou de l'impossibilité d'utiliser le produit.
 - Des blessures graves ou mortelles peuvent survenir lorsque des enfants montent sur des meubles d'équipement audio et / ou vidéo. Une télécommande ou des jouets placés sur l'ameublement peut encourager un enfant à grimper sur l'ameublement et, par conséquent, l'ameublement peut renverser sur l'enfant » ou équivalent.
 - Le déplacement de l'équipement audio et / ou vidéo vers des meubles qui ne sont pas spécifiquement conçus pour supporter un équipement audio et / ou vidéo peut entraîner la mort ou des blessures graves du fait que l'ameublement s'est effondré ou tourné sur un enfant.
 - L' utilisation des produits produits dépassant le poids maximum indiqué pourrait provoquer une instabilité susceptible de causer des blessures.
- ▶ Toutes les images sont à titre de référence, à l'emporter dans le produit.

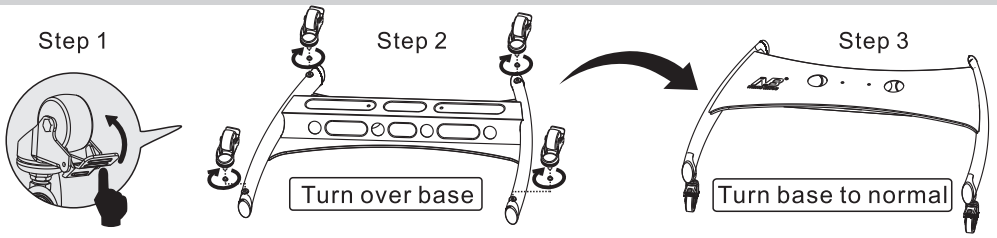
Manual

							
Tightening Direction	Loosening Direction	Phillips Screwdriver	Metre Rule	Adjustment	By Hand	Hex Wrench	+ Tightening - Loosening

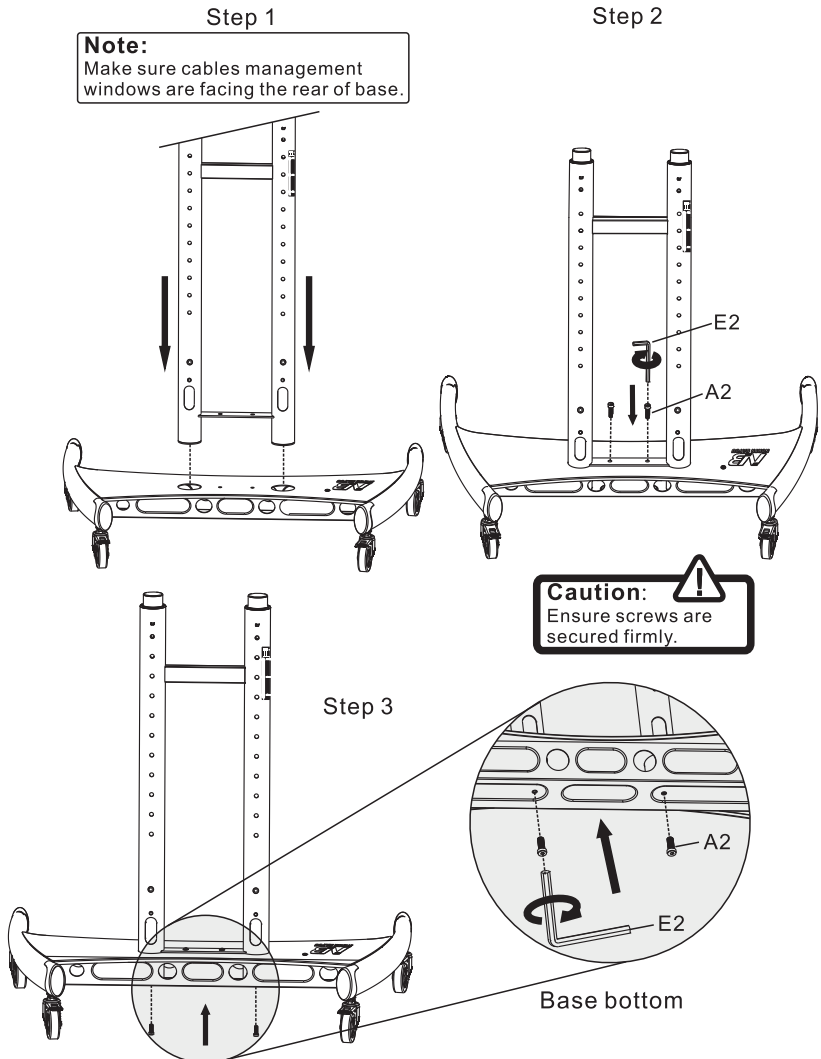
Parts list

<p>1X</p> 		<p>1X</p> 		<p>1X</p> 		
<p>1X</p> 				<p>1X</p> 		
				<p>1X</p> 		
				<p>2X</p> 		
<p>1X</p> 	<p>1X</p>  <p>L</p>	<p>1X</p>  <p>R</p>	<p>2X</p> 	<p>4X</p> 		
				<p>2X</p> 		
<p>A1</p> <p>4X</p>  <p>M8×25mm</p>	<p>B1</p> <p>4X</p>  <p>M6×25mm</p>	<p>C1</p> <p>4X</p>  <p>M5×25mm</p>	<p>D1</p> <p>4X</p>  <p>M4×12mm</p>	<p>E1</p> <p>4X</p>  <p>Φ16×Φ6.2×1.5mm</p>	<p>F1</p> <p>4X</p>  <p>Φ15×Φ8.2×10mm</p>	
<p>A2</p> <p>6X</p>  <p>M8×20mm</p>	<p>B2</p> <p>4X</p>  <p>M8×72mm</p>	<p>C2</p> <p>1X</p>  <p>M5×10</p>	<p>D2</p> <p>4X</p>  <p>Φ 19×8.5×H13mm</p>	<p>E2</p> <p>1X</p>  <p>M6</p>	<p>F2</p> 	<p>G2</p> <p>2X</p>  <p>M5×12</p>

1.1. Castor wheels to base installation



1.2. Poles assembly to base installation

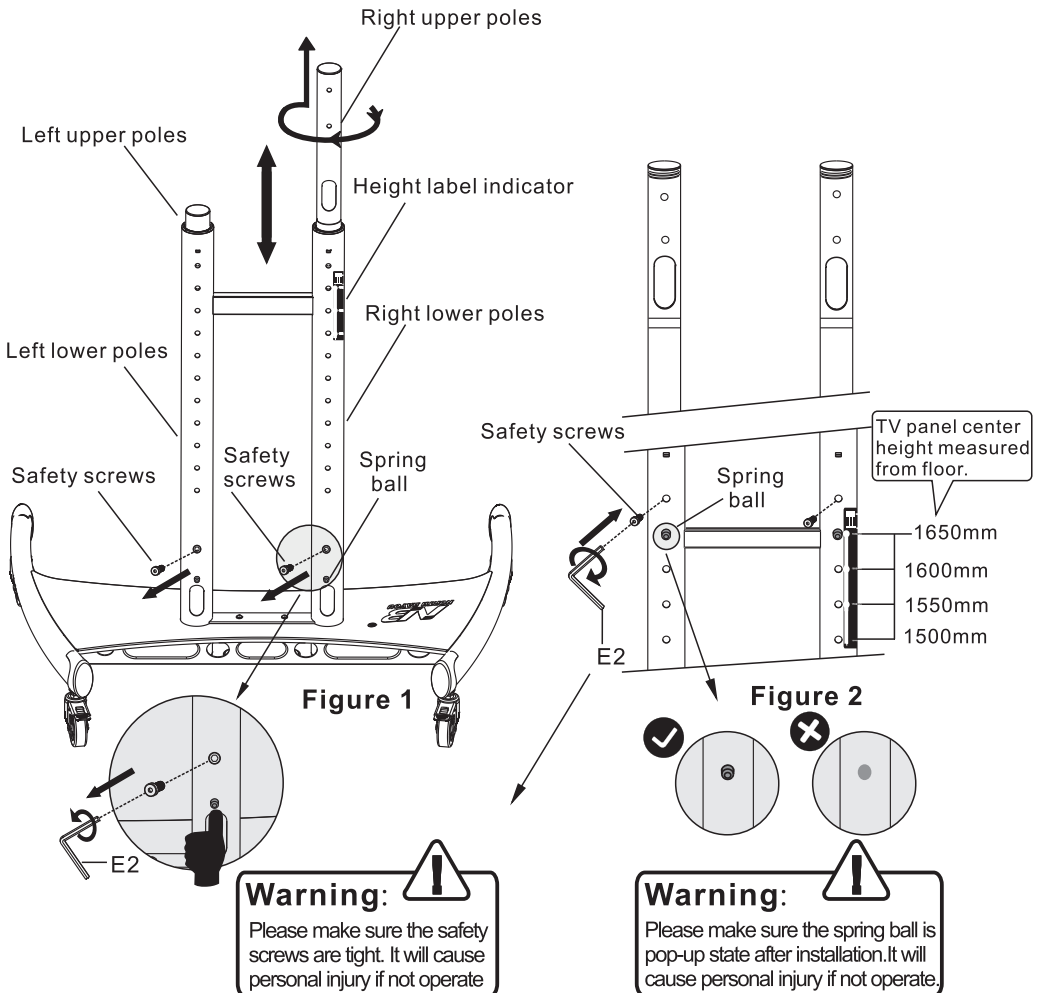


2. Telescopic mounting poles installation

Step 1. Unscrew safety cap screw on right lower poles assembly by using E2 (6mm Allen key) from hardware pouch. Put safety cap screws aside. As shown in Fig-1

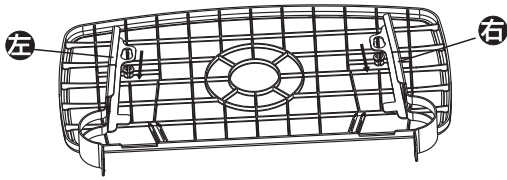
Step 2. Use left hand thumb or index finger to depress spring ball located at the right lower pole (Near cable window), at the same time use right hand twist and pull right upper poles (Clockwise or anti-clockwise either directions will do) upward until your desired height. Use height label indicator on pole as guide. Then twist upper pole toward plunger holes direction and engaged spring ball into the plunger hole and set. Secure safety cap screw firmly as shown in Fig-2 (You may need another person to help).

Step 3. Repeat step 1 and 2 on left poles assembly.

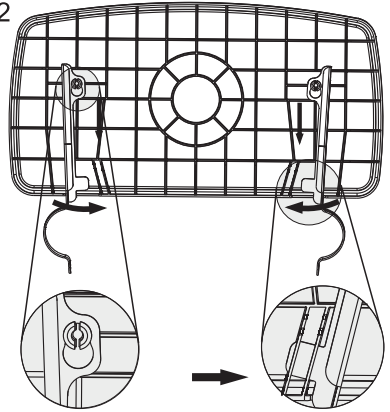


3. AV shelf installation

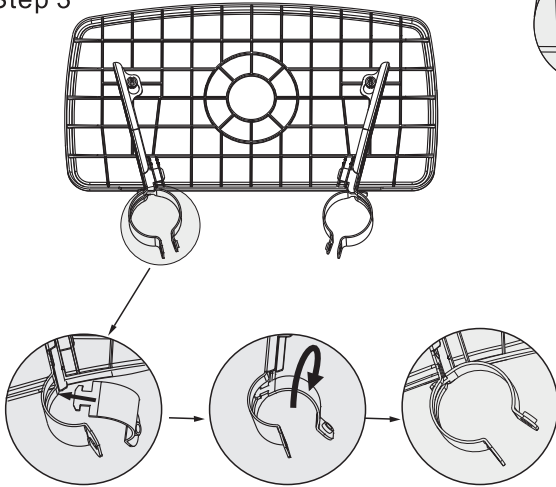
Step 1




Step 2

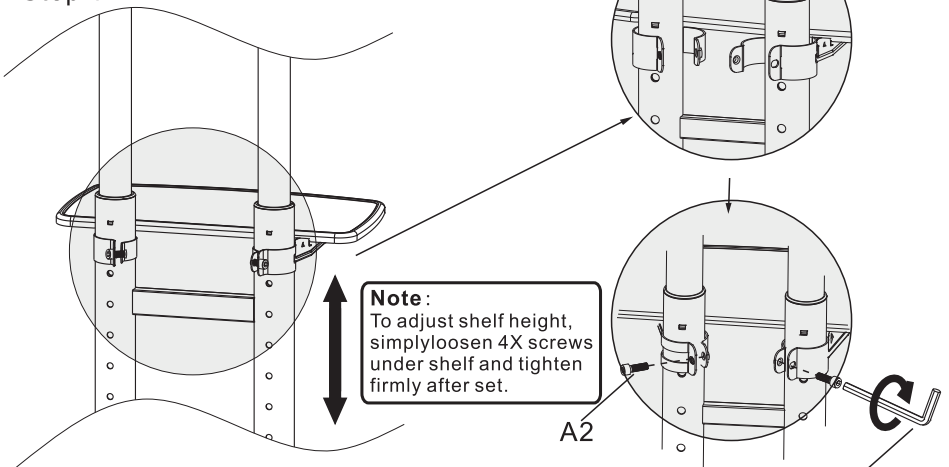


Step 3

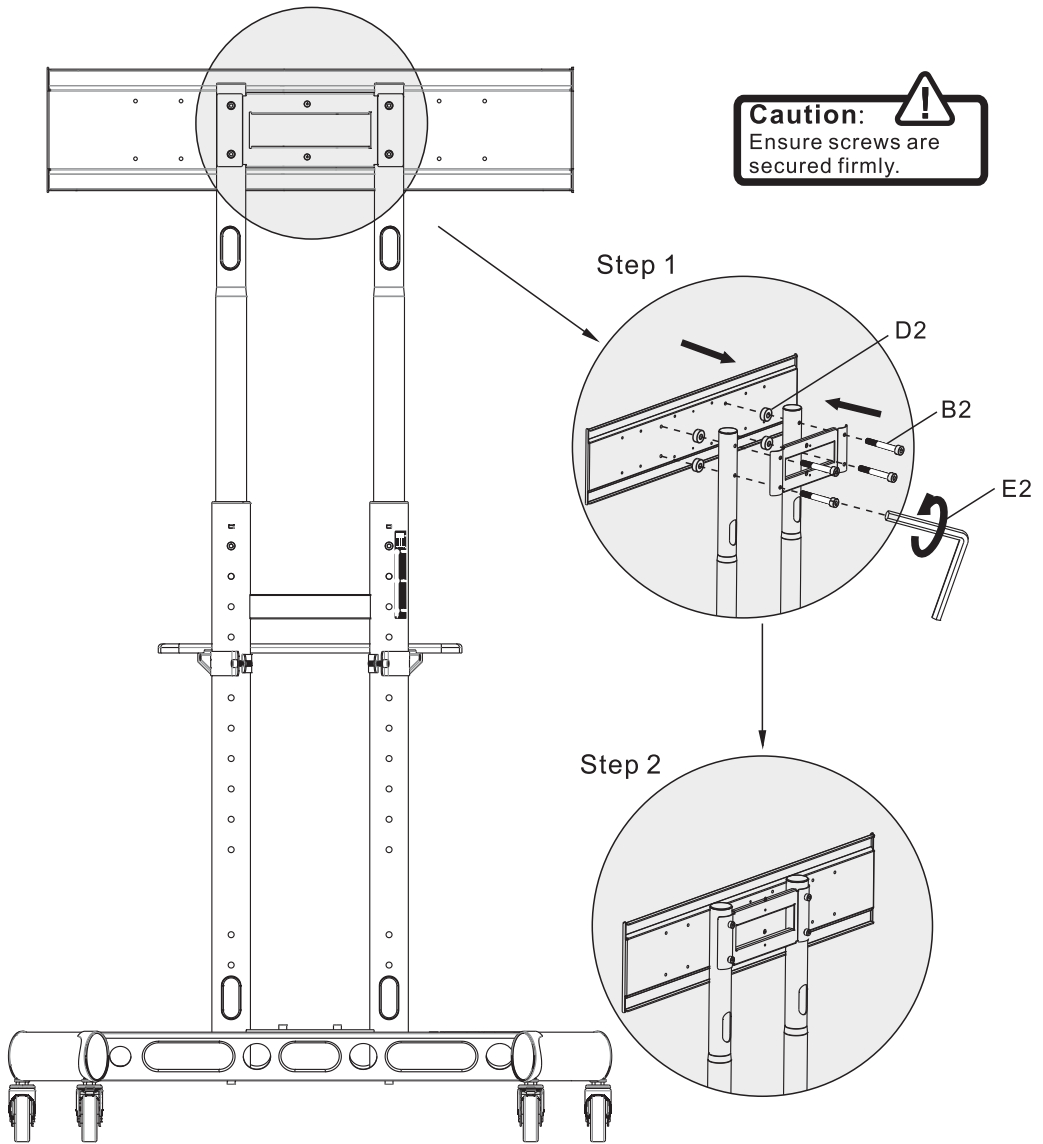


Caution: 
Ensure screws are secured firmly.

Step 4

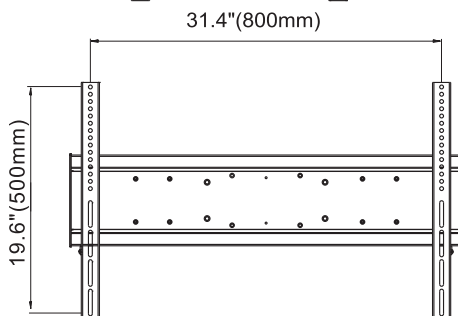
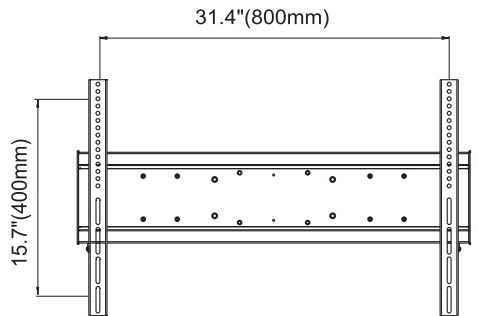
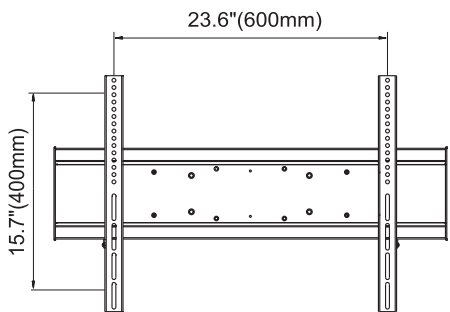
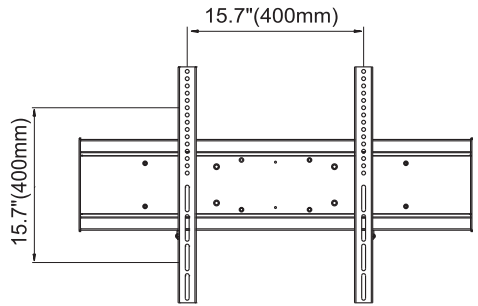
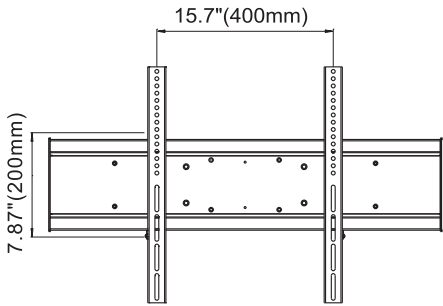
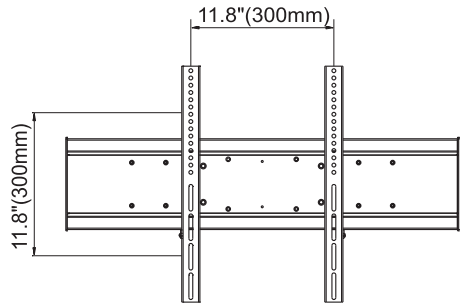
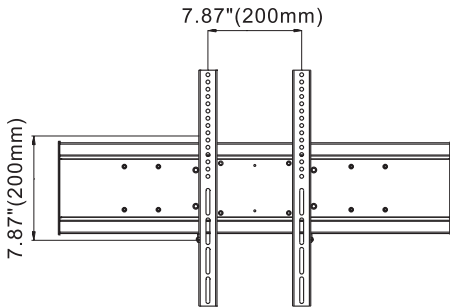


4. Interface installation

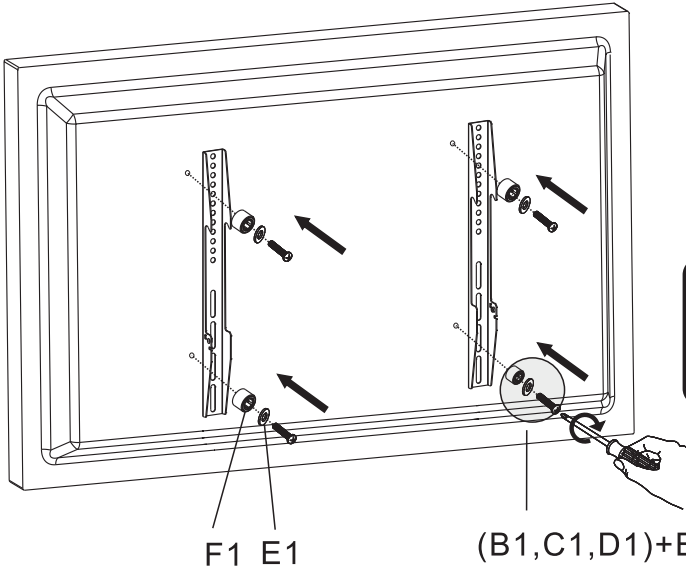


5. VESA mounting patterns

VESA:200x200-800x500mm



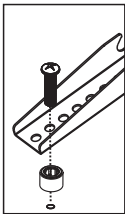
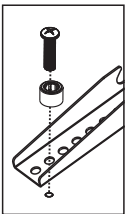
6. Selection of TV mounting patterns



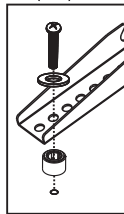
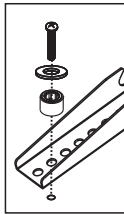
Caution: 
Ensure screws are secured firmly.

Note:
To avoid damage plastic spacer must be used when depth of mounting holes is minimal.

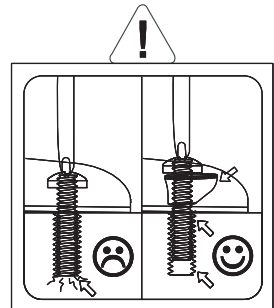
M8×25mm(A1)



M5×25mm(C1)
M6×25mm(B1)

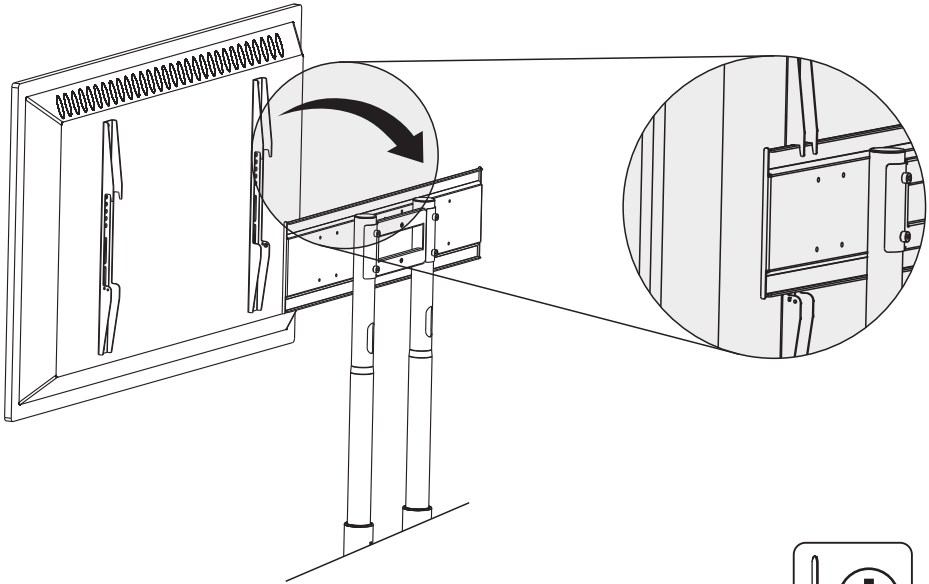


Safety advise



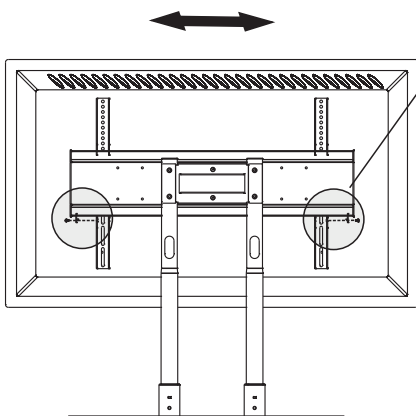
7. Mounting TV on poles interface

Step 1

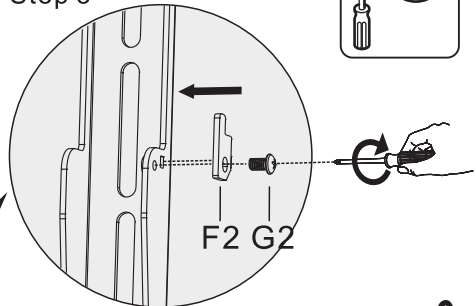



Step 2

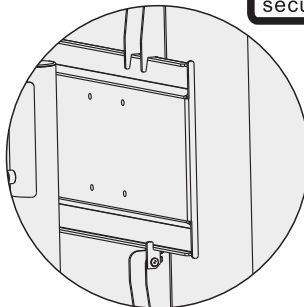
Note:
Moves TV to center.



Step 3

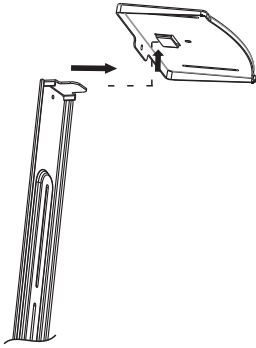


Caution: 
Ensure screws are secured firmly.

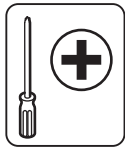
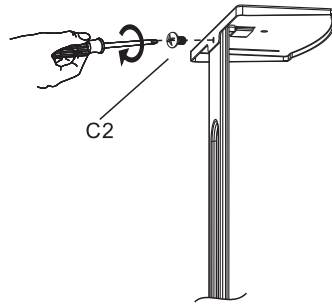


8. Video tray installation

Step 1

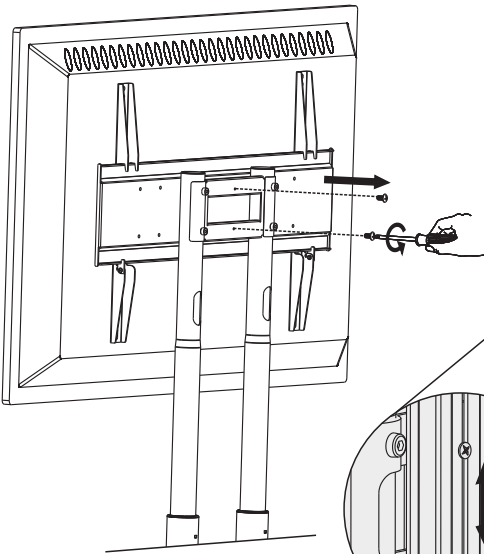


Step 2

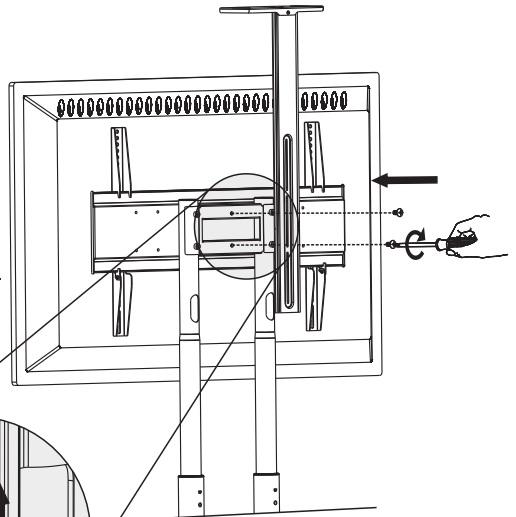


Caution: 
Ensure screws are secured firmly.

Step 3



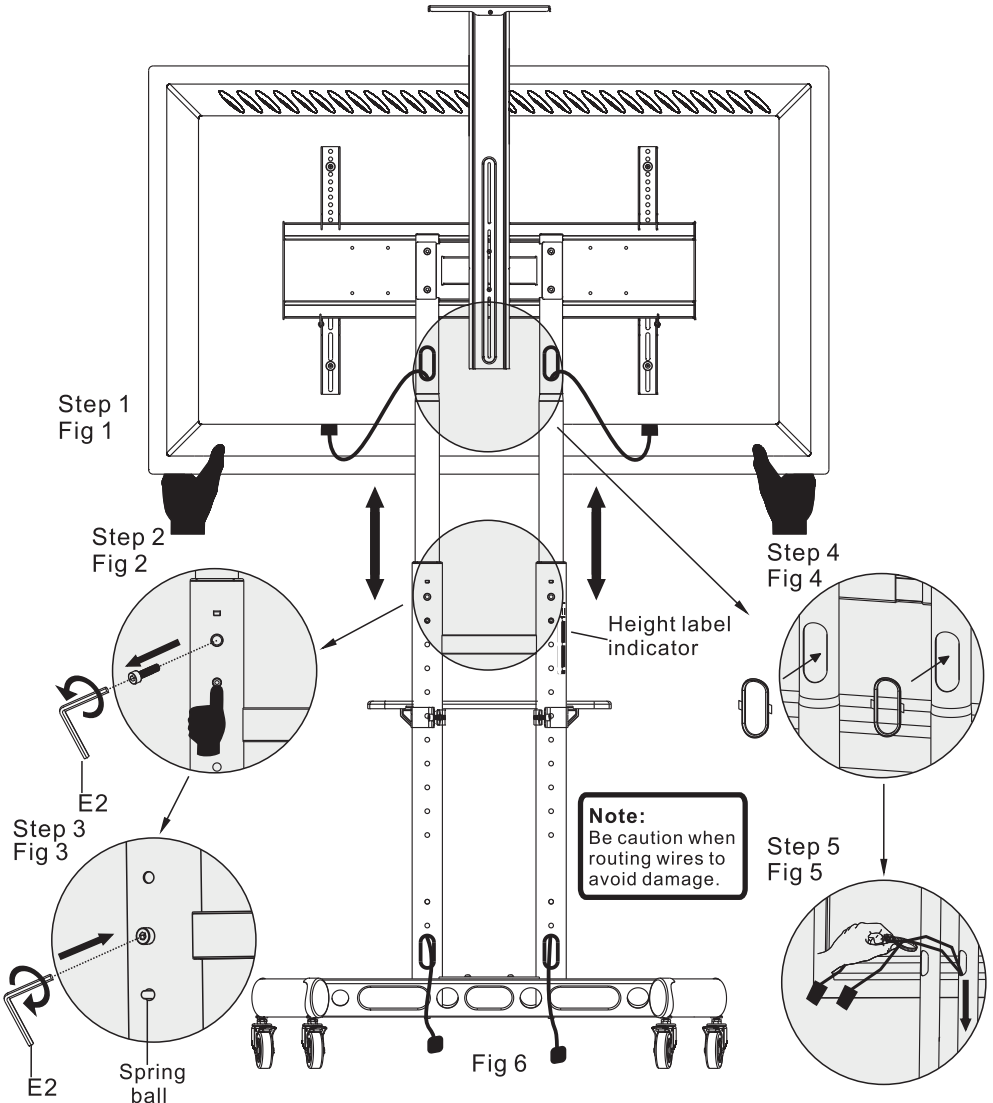
Step 4



Note:
Adjustable height.

9. TV height re-set and cables and wires installation

- Step 1. To re-set TV height, need 2 man, 'A' man holds TV bottom by 2 hands as shown in Fig 1.
- Step 2. The 'B' man simply unscrew 2X safety screws from left and right poles by using E2 (6mm Allen key) from hardware pouch, put screws aside. He then depress 2 spring balls on poles by using his thumbs, so that 'A' man can let goes TV down or up directions to desire viewing height, using height label indicator on pole as reference as shown in Fig 2.
- Step 3. When height is determined, then let spring balls set into plunger holes respectively Secure 2X safety screws firmly as shown in Fig 3.
- Step 4. Routing cables and wires from TV sockets through poles' upper cables windows and lower cables windows as shown in Fig 4 , 5 and 6 .



10. Product specifications

