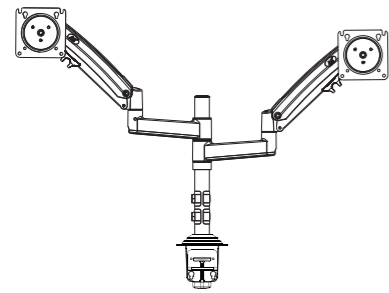




Ergonomic desktop display mount installation instructions



H180

Fits Most Monitors Size : 22"~32"
Load Capacity : 4.4~26.4 lbs (2~12kg)
VESA: 75x75, 100x100mm

- Severe personal injury and property damage can result from improper installation or assembly. Read the following warning carefully before beginning.
- Products must be installed by professional or installer.
 - If you do not understand the instructions or have any concerns or questions, please contact a qualified local installer.
 - Do not install or assemble if the product or hardware is damaged or missing, if you require replacement parts, please contact your local distributor for assistance.
 - This product fits most 22"-32" LCD / monitor; maximum weight of LCD / monitor: 12 kg / 26.4 lbs.
 - Installer-friendly and straight forward.
 - For safe installation, the desk you are mounting to must support minimum 3 times the weight of the total load (the mount, the monitor and all accessories weight).
 - Do not use this product for other than the original design.
 - This product contain moving parts, please use with caution.
 - When installing monitor, please do not damage electrical wiring or power source.
 - Installation and routing of monitor cables on the monitor bracket must comply with electro-technical regulations.
 - Importantly, mains- and data-cables must be secured against twisting and squeezing or shearing.
 - The manufacturer will bear no responsibility to the desk of mounting, or incidental or consequential damages arising thereof.
 - The manufacturer disclaims any liability for the modifications, improper installation, or installation over the specified weight range. The manufacturer will not be liable for any damages arising out of the use of, or inability to use, the product.
 - This product is designed for indoor use only. Use of this product outdoor could lead to product failure and severe personal injury.
 - ▲ This product contains a high pressure gas spring, fire and percussion prohibited. Also it is strictly prohibited to dismantle without professionals. Please return to the manufacturer or hand over to professional agencies if the product is abandoned. In order to ensure the performance of gas spring, full direction adjustment of the product arm is recommended several times per month.
- We reserve the right to modify or alter instructions. No modification or alteration without formal notice.**

Part list

H180 Installation Manual

Table Edge Installation

Grommet Installation

1		2X	3		
2		2X	4		
5		2X	6		
7		2X			
A		8pcs	B		8pcs
C		4pcs	D		1pc
E		1pc	F		3mm
			G		4mm
			H		5mm
			I		2X

Adjustable Parameters

Load Capacity : 4.4~26.4 lbs (2~12 Kg)

A1. Table Edge Installation

Warning: Ensure screws are secured firmly.

Warning: Ensure screws are secured firmly.

A2. Grommet Installation

Warning: Ensure screws are secured firmly.

Warning: Ensure screws are secured firmly.

B. Assembly support:

Warning: Tighten set screw flush with surface.

Warning: Ensure screws are secured firmly.

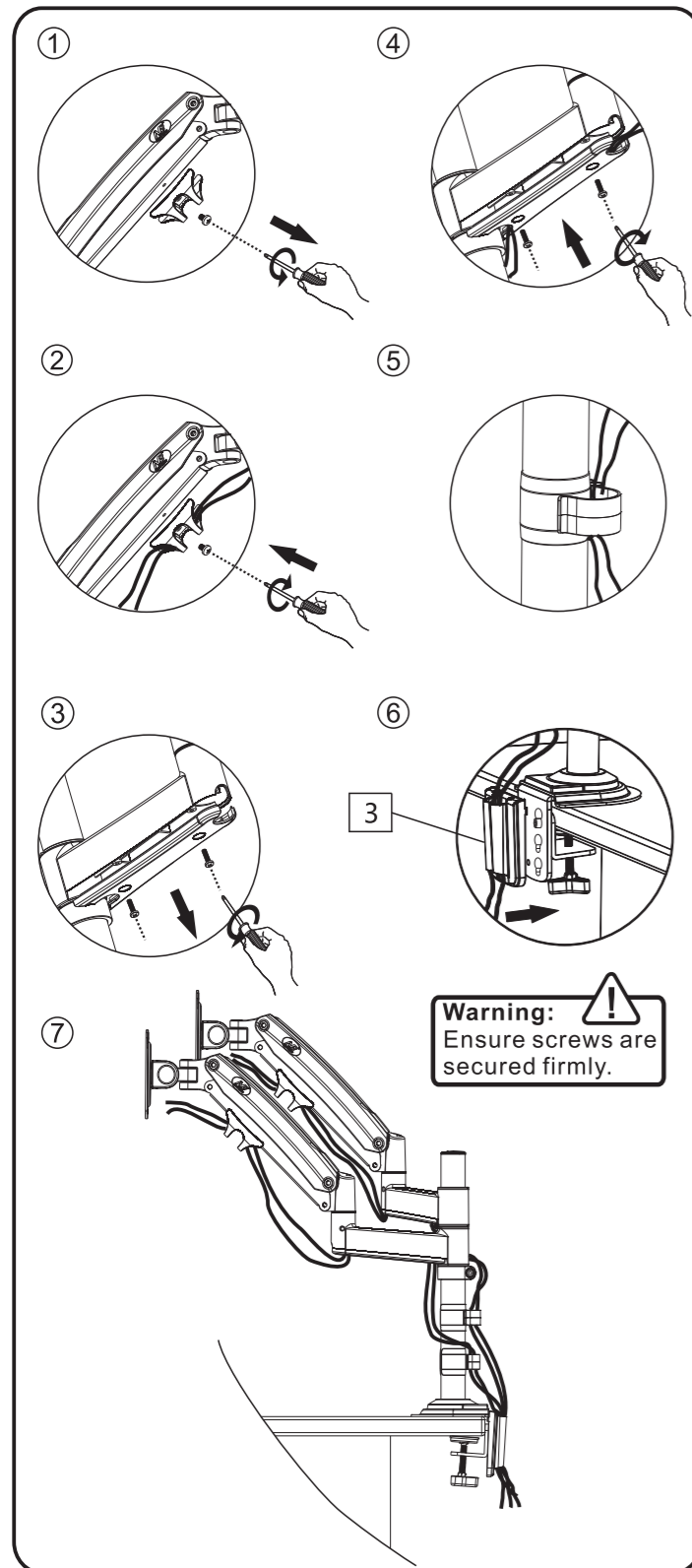
C. Rotation Restriction

Proper usage directions	Non-proper usage directions

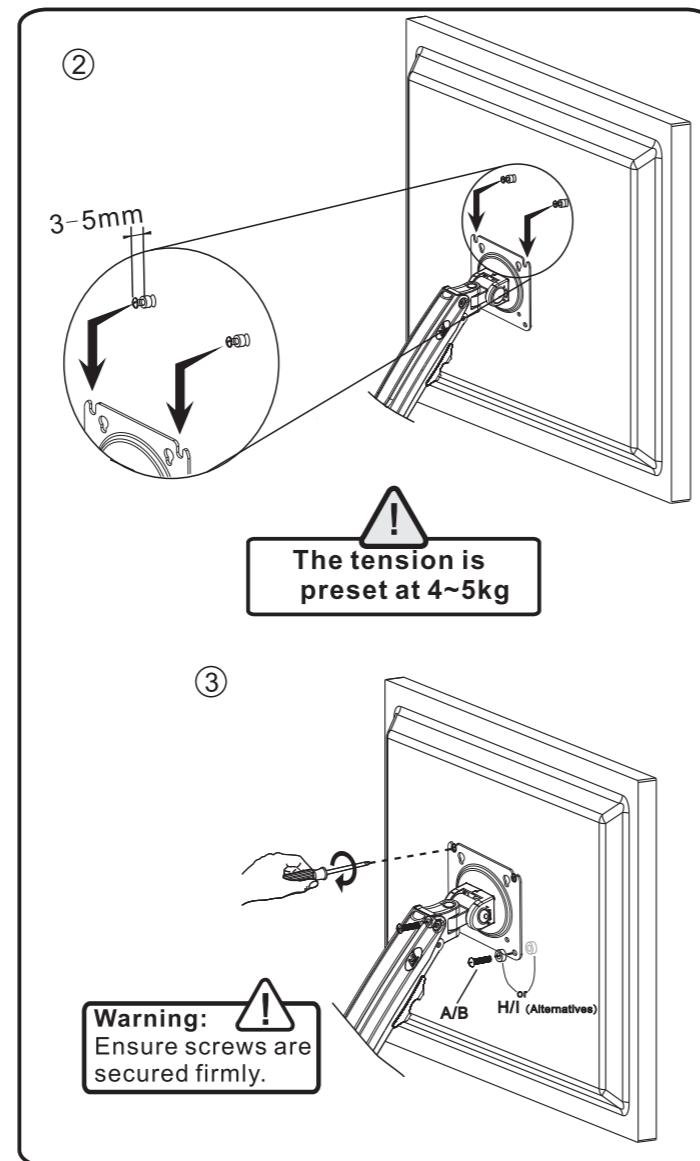
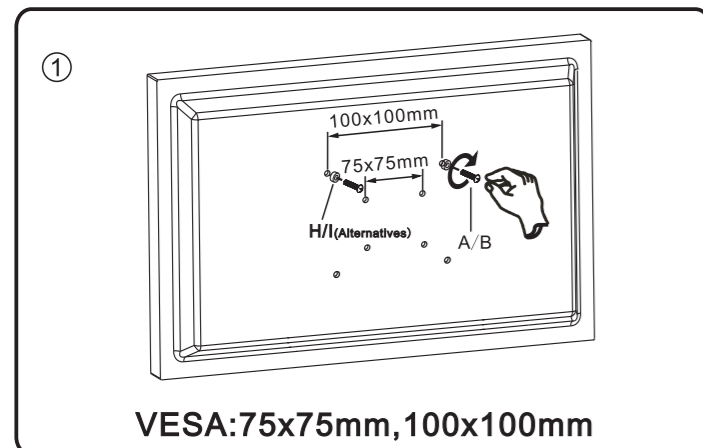
Symbols 执行标准: Q/320583 AJHJ001-2020 (企业标准)

	Tightening Direction loosening Direction		+ : Torque increased - : Torque reduced
	拧紧方向 拧松方向		+ 定点恒力加大 - 定点恒力减小
	Phillips Screwdriver		By Hand
	螺丝起子		用手
	Open-End Wrench		Hex Wrench
	开口扳手		六角扳手
	Adjustment		Pencil
	调整		铅笔
OPT	Optional	NOTE	Reminder
	可选		提示
	Warning		Hand Drill
	警告		手电钻
	Remove		Star Wrench
	移开		安全扳手
	Beware		out or in
	提示		出或入

D. Power and Display Lines Installation

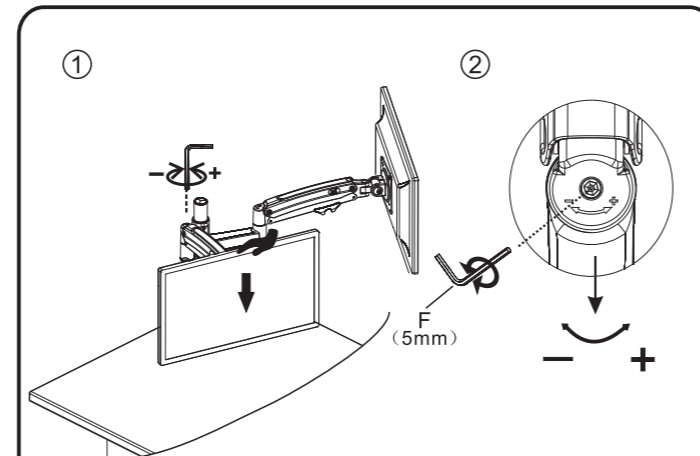


E. Display Installation



F. Torque Adjustment

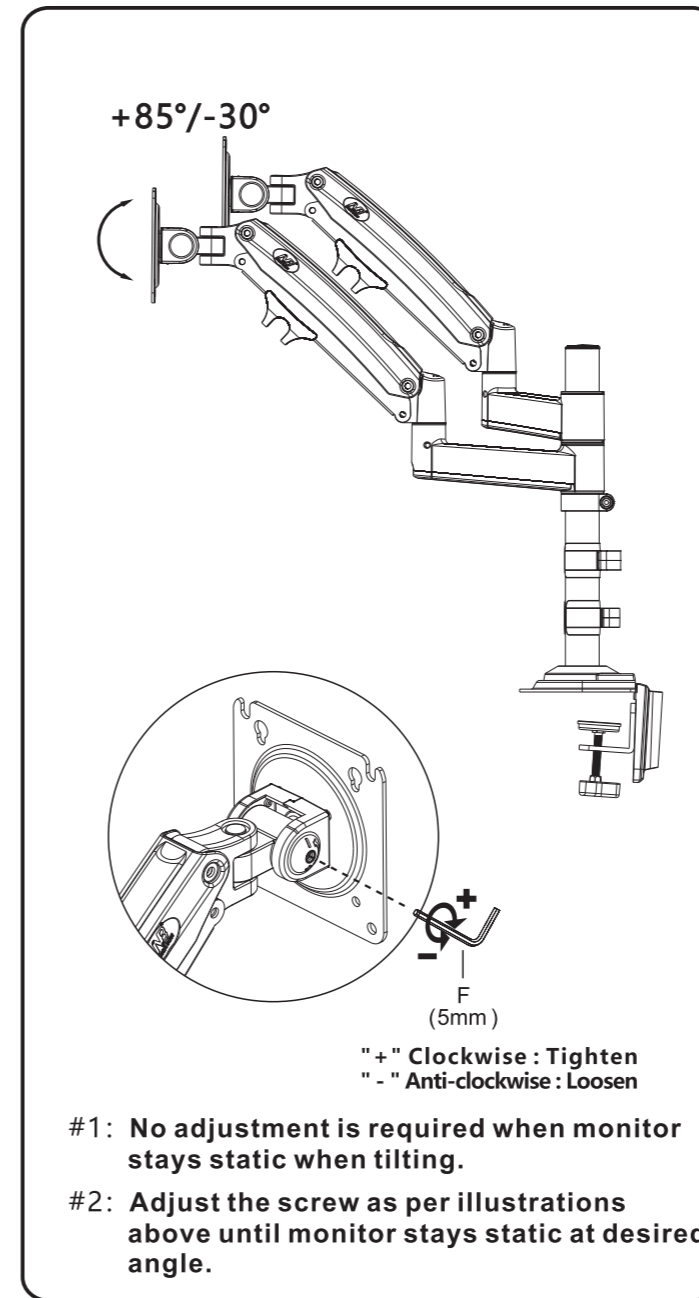
- "+" : Torque increase direction shown fig-2
- "-" : Torque decrease direction shown fig-2



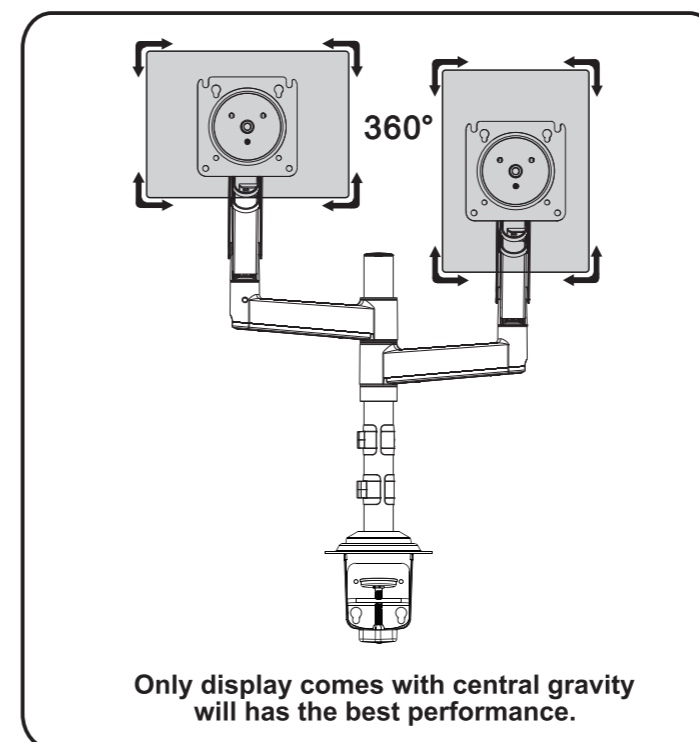
Note:
Ensure display weight is within load range

- If display can be hovered at any height after display installed. No adjustment needed.
- If display lift up automatically after display installed, adjust as follow: Wind the set screw to '-' direction to reduce torque by using F, 5mm Alley key as shown in fig-E2 and G2. Until display can be hovered at any point of positions.
- If display sit at lowest position, repeat #2 procedures but winding set screw to '+' direction to increase torque as fig-E2 and G2 until Display can be hovered at any point of positions.

G. Display Adjustment



H. Display rotation



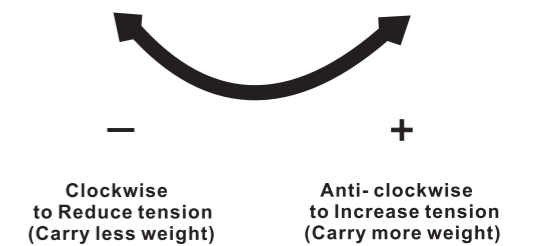
TENSION ADJUSTMENT AFTER MOUNT INSTALLED



Do not adjust tention without putting on display.

- Ensure display has been put onto mount.
- Read your display packaging or manual to find out display net weight.
- Ensure display net weight between 4.4-26.4 lbs(2-12 kg)

Adjustment sign



Warning !



www.new-nb.com

KunshanHongjie Electronics Co., Ltd.
1050, FuChunJiangRoad, Economic Development Zone
Kunshan City, Jiangsu Province. China. 215333
Mail : info@nbavmount.com
Website : www.new-nb.com