



www.new-nb.com

# G35 Dual Monitor Desk Stand



Screen Size  
22"-32"×2



Capacity  
4.4-33lbs (2-15 kg)×2



VESA  
75×75,100×100mm



Lift  
12.6" (320mm)



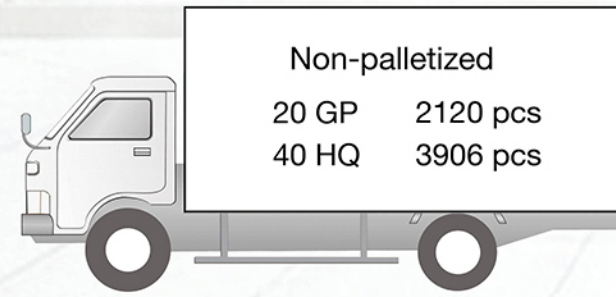
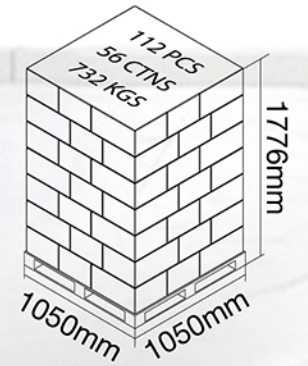
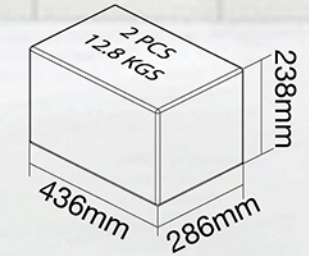
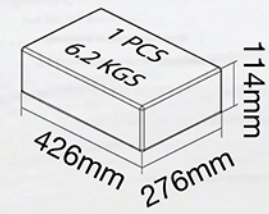
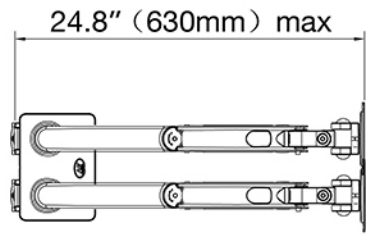
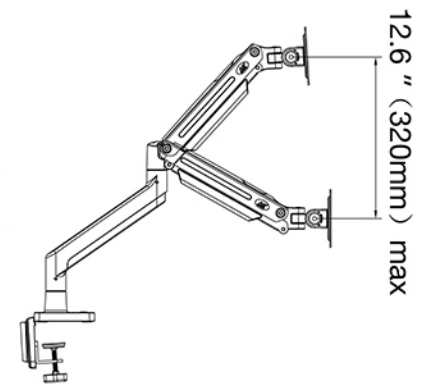
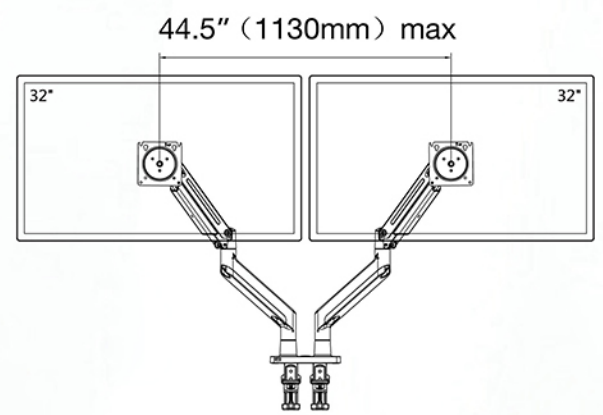
Swivel angles  
±90°



Rotation  
360°



Tilt angles  
+85°/ -30°



Non-palletized

20 GP	2120 pcs
40 HQ	3906 pcs