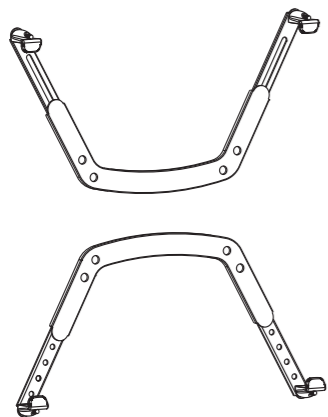




FP-1
VESA Mount Adaptor



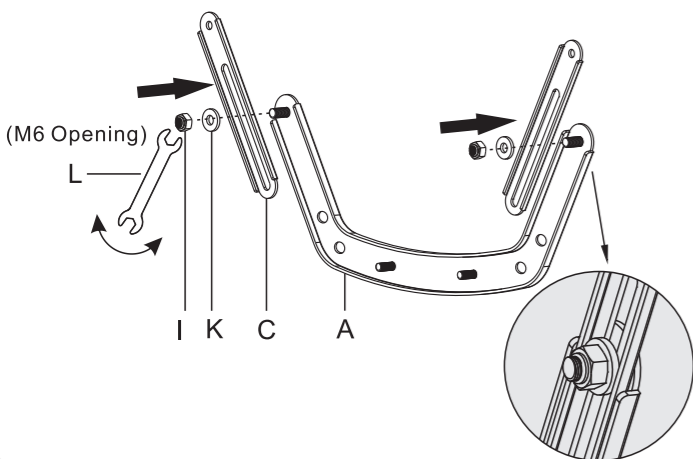
Fits Display 17" ~ 27"
For Display thickness 30 ~ 75 mm (1.2" ~ 2.9")
Carry Max load 14.3 lbs (6.5 kg)

Parts list

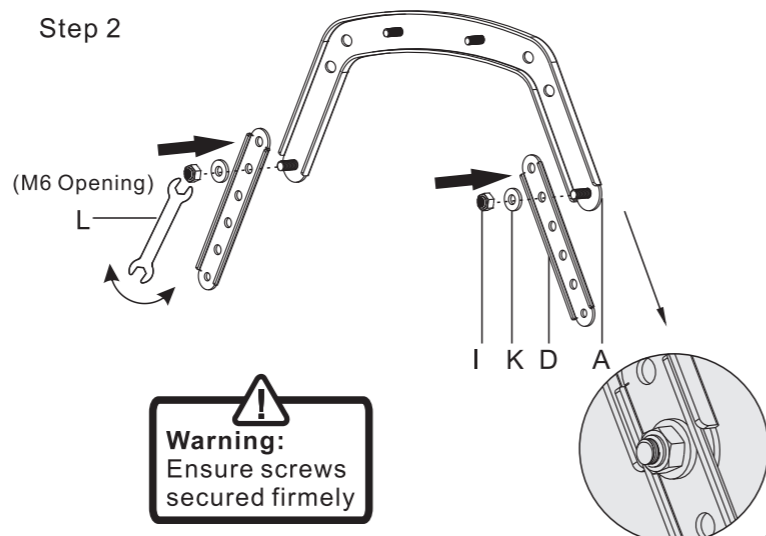
A 2× 	B 12× 	C 2× 	
D 2× 	E 4× 	F 4× 	
G 4× M5×40 	H 4× M5×65 	I 4× M6 	
J 4× M4 	K 4× Φ13xΦ6.2xT1.5 	L 1× (M6) (M5) 	M 4×

A. Adaptor Assembly

Step 1

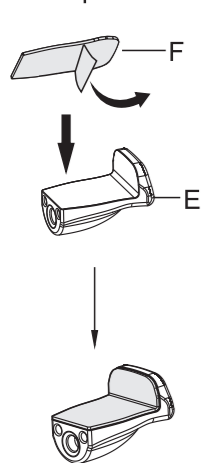


Step 2

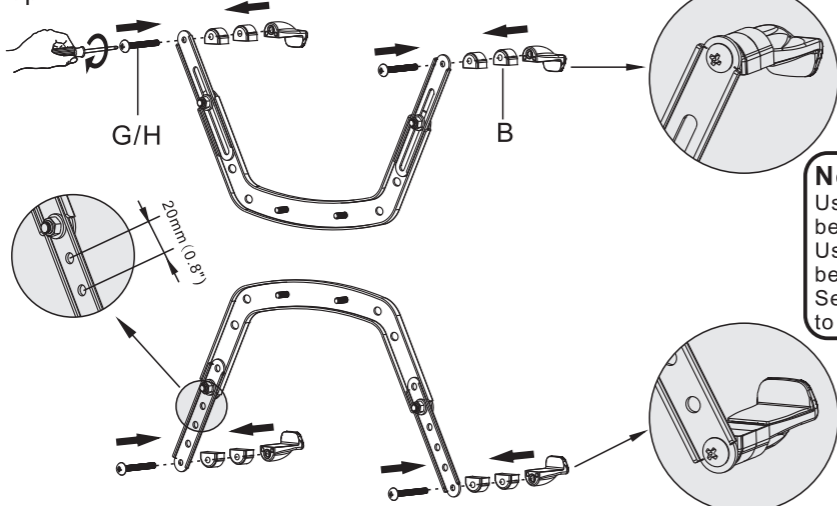


B. Parts Assembly

Step 1

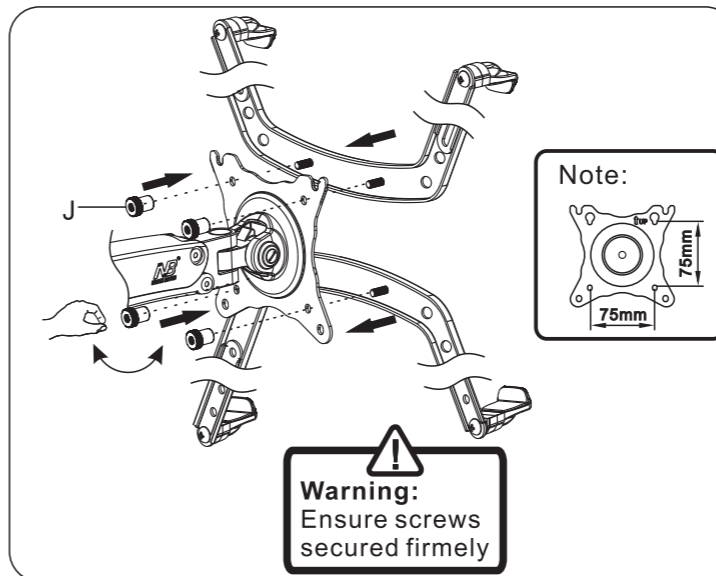


Step 2

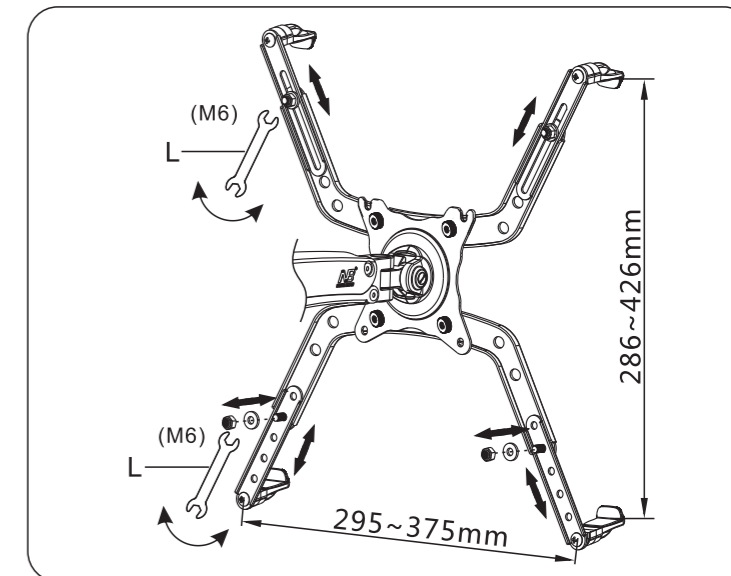


Note:
Used G: M5 x 40mm for TV thickness between 30 ~ 57mm;
Used H: M5 x 65mm for TV thickness between 57 ~ 75mm.
Select appropriate number of spacers to fit display thickness.

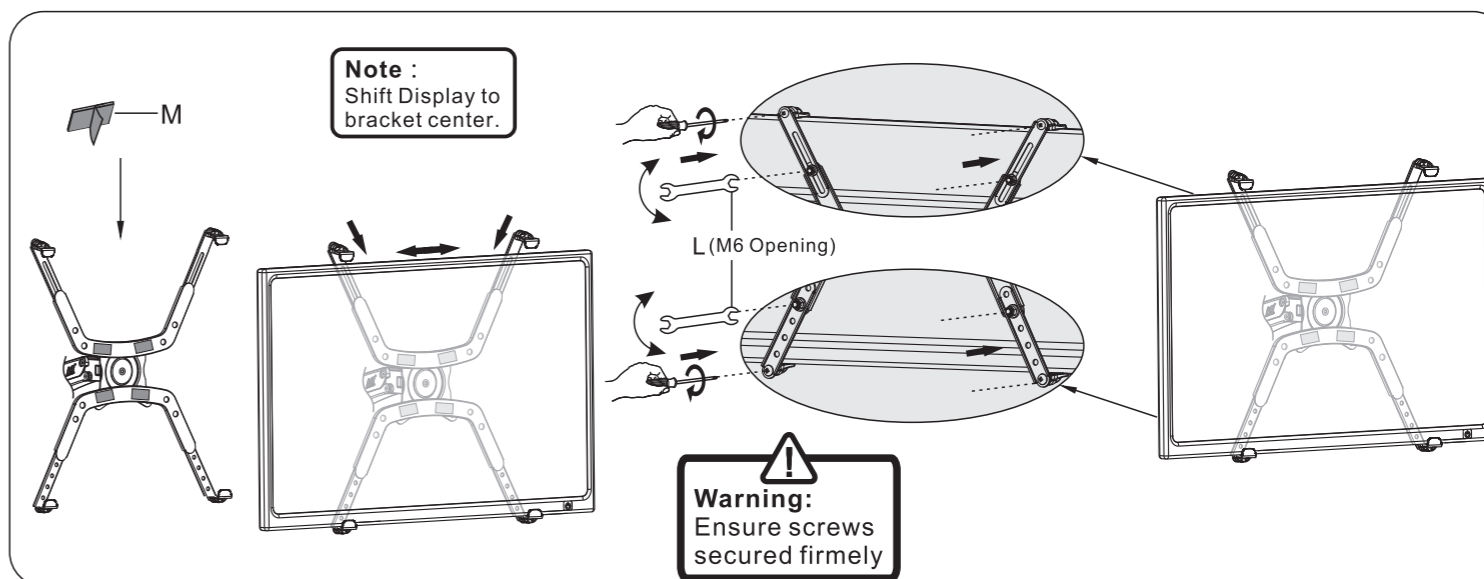
C. Install Adaptor onto Interface



Maximum and minimum opening



D. Install Display onto Adaptor



Warning

Severe personal injury and property damage can result from improper installation or assembly. Read the following warning carefully before beginning.

- If you do not understand the instructions or have any concerns or questions, please contact a qualified local installer.
 - Do not install or assemble if the product or hardware is damaged or missing, if you require replacement parts, please contact your local distributor for assistance.
 - This product fits most 17"-27" LCD / monitor; maximum weight of LCD / monitor: 6.5kg / 14.3lbs.
 - Do not use this product for other than the original designed.
 - This product is designed for indoor use only, use of this product outdoor could lead to product failure and severe personal injury.
- We reserve the right to modify or alter instructions. No modification or alteration without formal notice.
► If sketches and images are different from parts and components received, please base on actual delivered parts.



Kunshan Hongjie Electronics Co., Ltd
1050, Fu Chun Jiang Road,
Economic Development Zone.
Kunshan City, Jiangsu Province.
China. 215333
Mail : info@nbavmount.com
www.new-nb.com