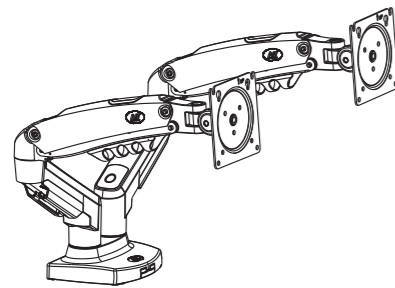




Ergonomic desktop display mount installation instructions



F160
Fits Most Monitors Size: 17"~27"
Load Capacity: 4.4~19.8 lbs (2~9 kg) each
VESA: 75x75, 100x100mm



- Severe personal injury and property damage can result from improper installation or assembly. Read the following warning carefully before beginning.
- Products must be installed by professional or installer.
 - If you do not understand the instructions or have any concerns or questions, please contact a qualified local installer.
 - Do not install or assemble if the product or hardware is damaged or missing, if you require replacement parts, please contact your local distributor for assistance.
 - This product fits most 17"-27" LCD / monitor; maximum weight of LCD / monitor: 9 kg / 19.8 lbs.
 - Installer-friendly and straight forward.
 - For safe installation, the desk you are mounting to must support minimum 3 times the weight of the total load (the mount, the monitor and all accessories weight).
 - Do not use this product for other than the original designed.
 - This product contain moving parts, please use with caution.
 - When installing monitor, please do not damage electrical wiring or power source.
 - Installation and routing of monitor cables on the monitor bracket must comply with electro-technical regulations.
 - Importantly, mains- and data-cables must be secured against twisting and squeezing or shearing.
 - The manufacturer will bear no responsibility to the desk of mounting, or incidental or consequential damages arising thereof.
 - The manufacturer disclaims any liability for the modifications, improper installation, or installation over the specified weight range. The manufacturer will not be liable for any damages arising out of the use of, or inability to use, the product.
 - This product is designed for indoor used only. use of this product outdoor could lead to product failer and severe personal injury.
 - ▲ This product contains a high pressure gas spring, fire and percussion prohibited. Also it is strictly prohibited to dismantle without professionals. Please return to the manufacturer or hand over to professional agencies if the product is abandoned. In order to ensure the performance of gas spring, full direction adjustment of the product arm is recommended several times per month.

We reserve the right to modify or alter instructions. No modification or alteration without formal notice.

Symbols 执行标准: Q/320583 AJHJ001-2022 (企业标准)

	Tightening Direction loosening Direction		+ : Torque increased - : Torque reduced
	Tightening Direction loosening Direction		+ : Torque increased - : Torque reduced
	Phillips Screwdriver		By Hand
	Open-End Wrench		Hex Wrench
	Adjustment		Pencil
OPT	Optional	NOTE	Reminder
	Warning		Hand Drill
	Remove		Star Wrench
	Beware		out or in

F160

Installation Manual

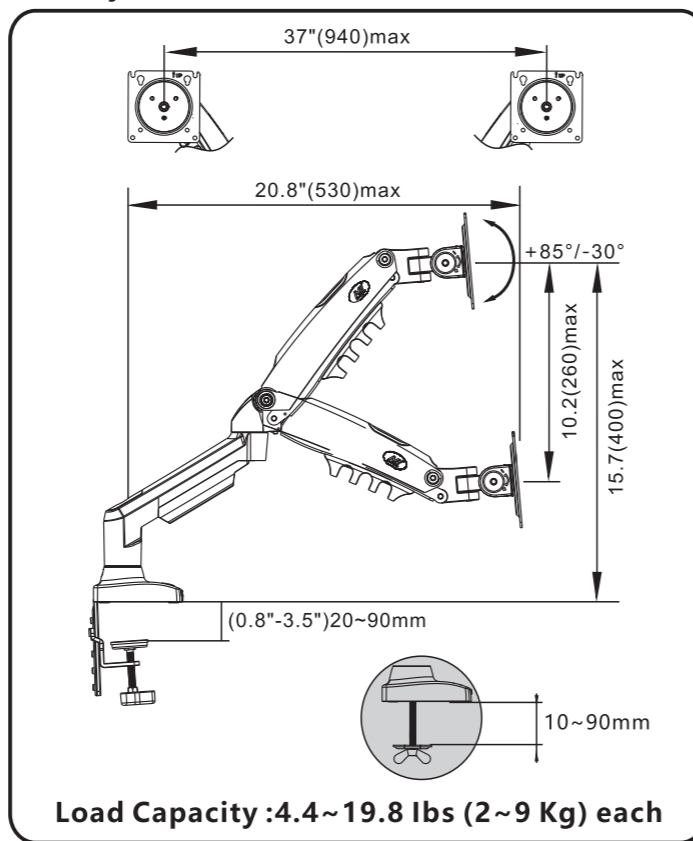
Table Edge Installation

Grommet Installation

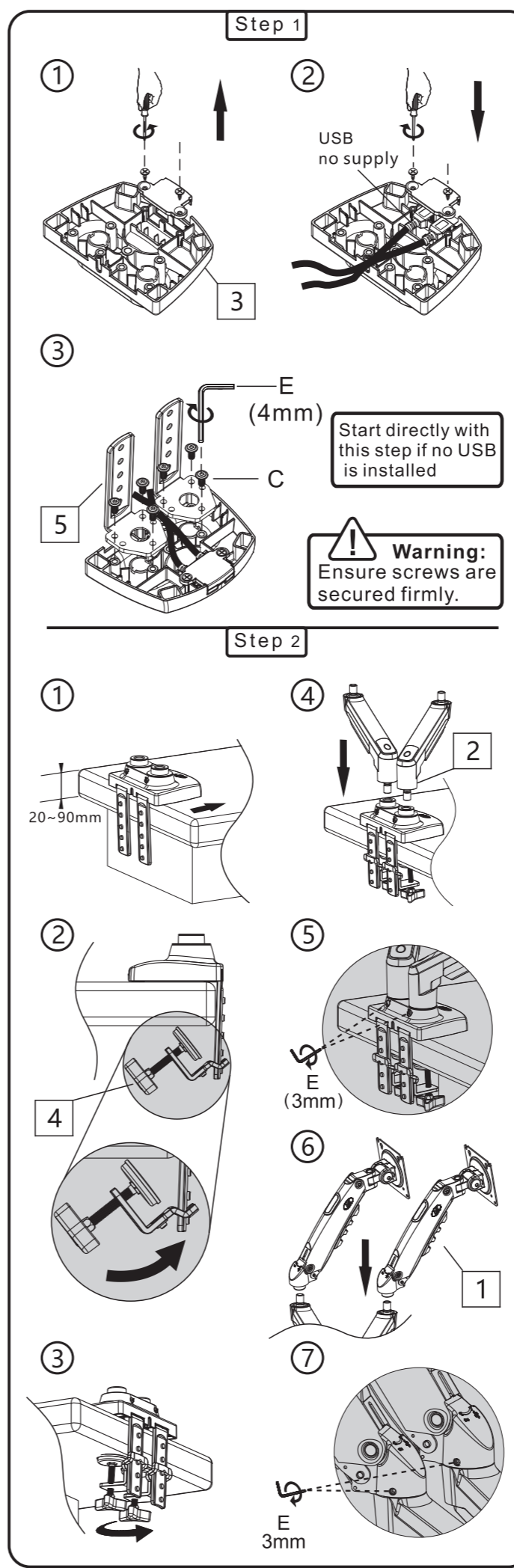
Part list

1		2x	3		
2			4		2x
			5		2x
A		8x M4x12	B		8x M4x30
C		6x M6x12	D		Carriage Bolts
E		3mm 4mm 5mm	F		Locking plate
G		8x H13	H		8x H5

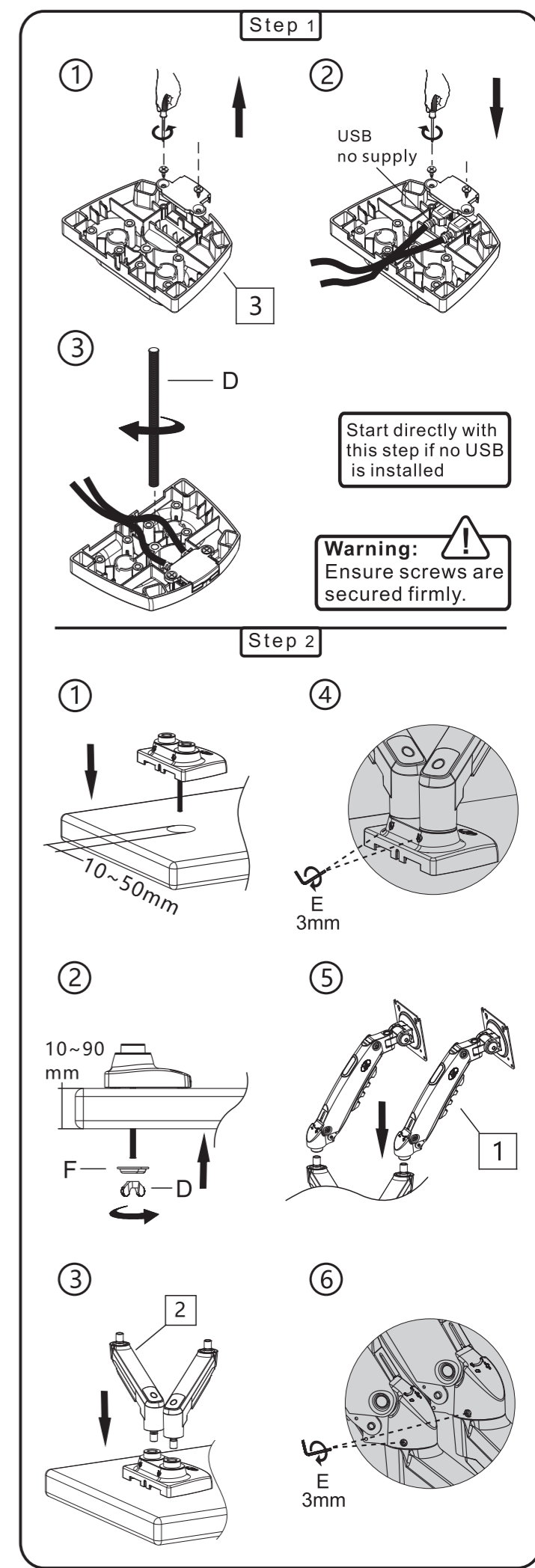
A. Adjustable Parameters



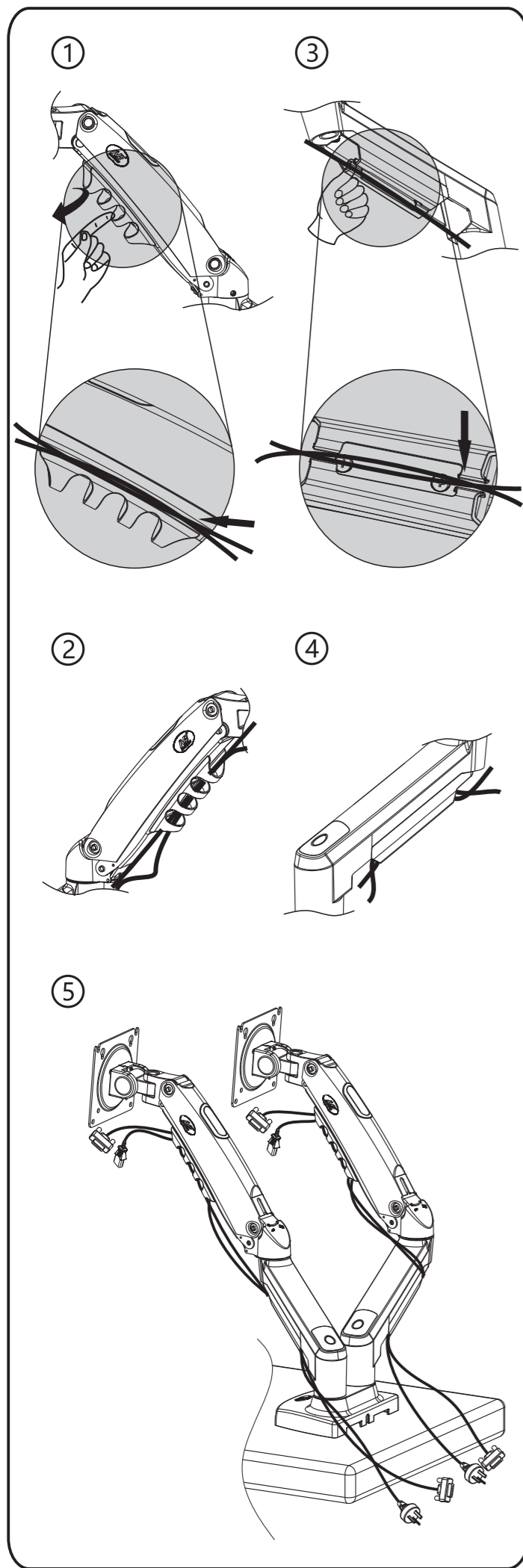
B1. Table Edge Installation



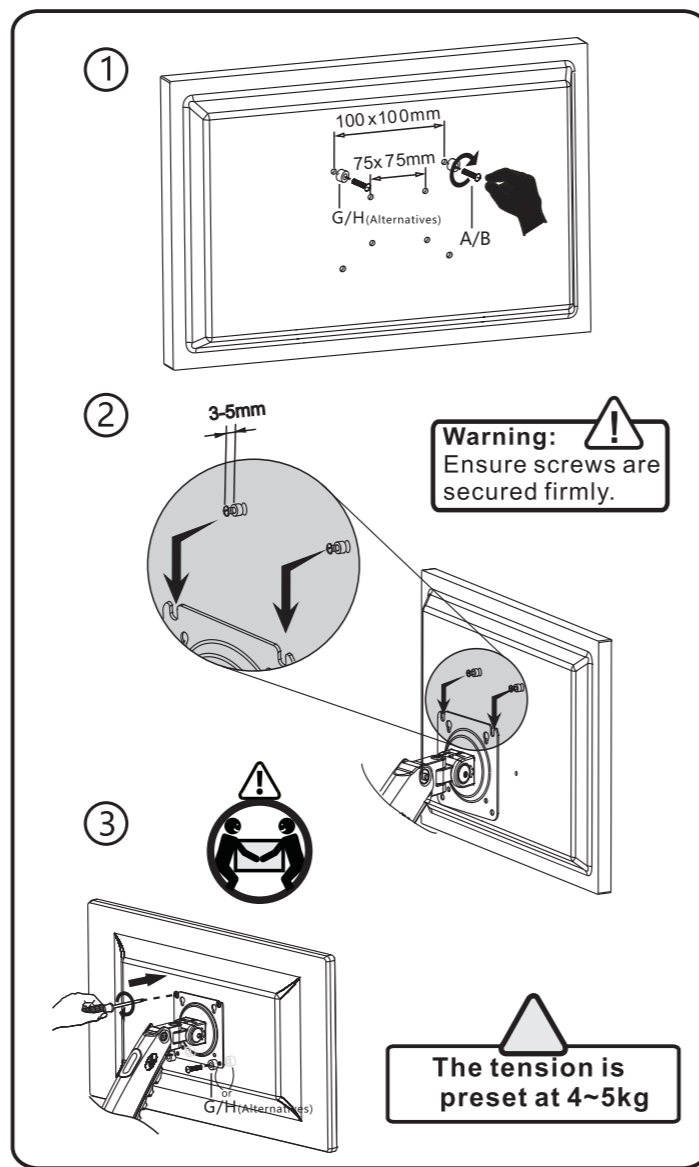
B2. Grommet Installation



C. Power and Display Lines Installation

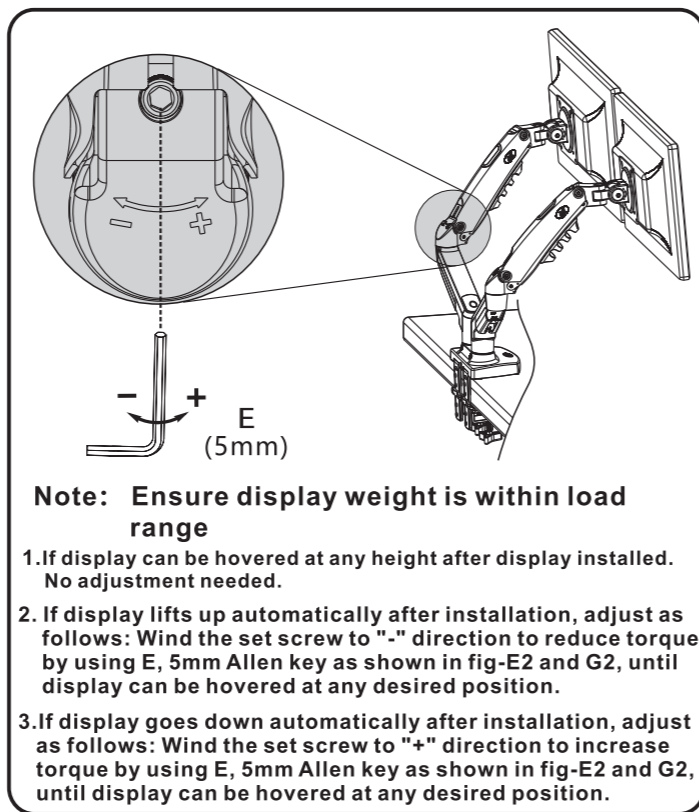


D. Display Installation

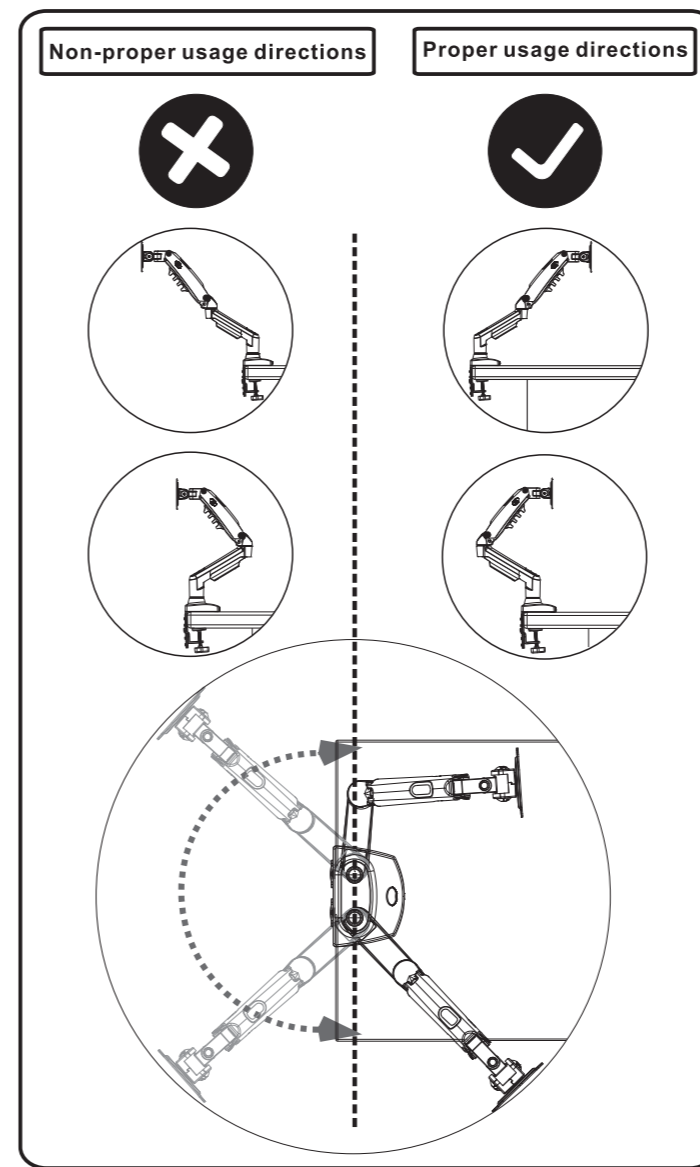


E. Torque Adjustment

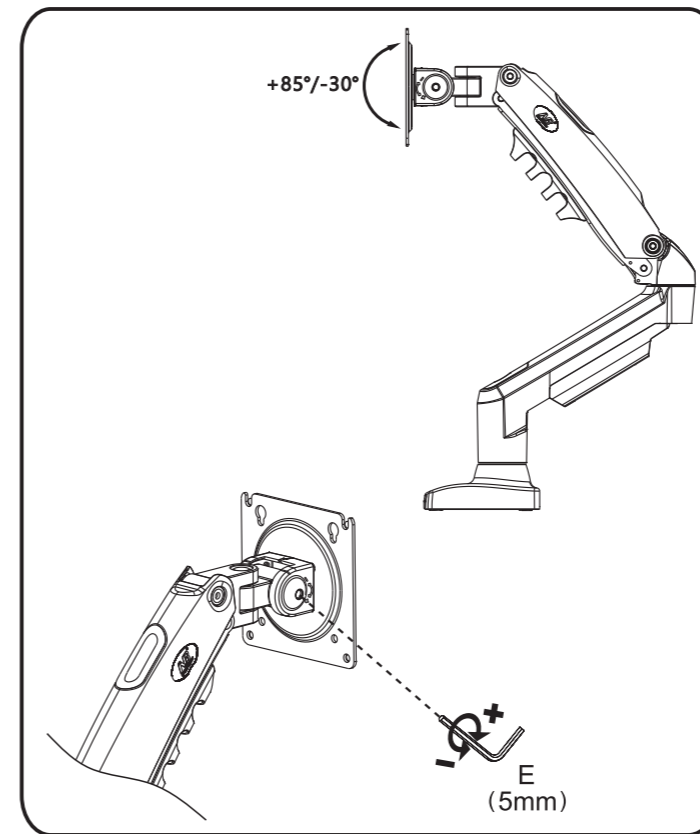
- "+" : Torque increase direction shown fig-2
- "-" : Torque decrease direction shown fig-2



F. Rotation Restriction



G. Display Adjustment



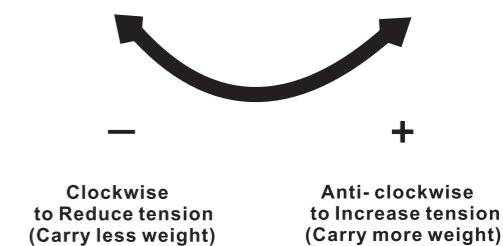
TENSION ADJUSTMENT AFTER MOUNT INSTALLED



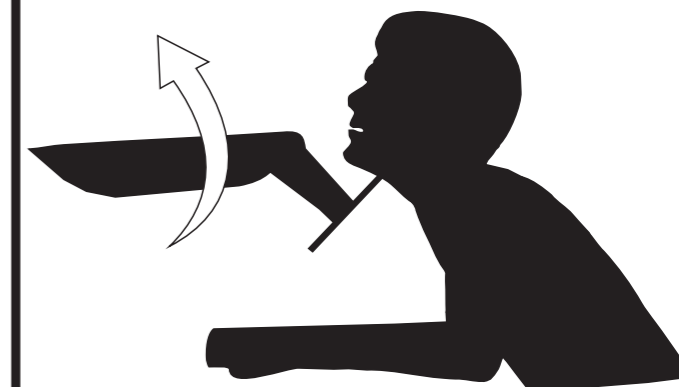
Do not adjust tension without putting on display.

1. Ensure display has been put onto mount.
2. Read your display packaging or manual to find out display net weight.
3. Ensure display net weight between 4.4-19.8 lbs (2-9 kg)

Adjustment sign



Warning !



KunshanHongjie Electronics Co., Ltd.
1050, FuChunJiangRoad, Economic Development Zone
Kunshan City, Jiangsu Province, China. 215333
Mail: info@nbavmount.com www.new-nb.com

TEL: 86+512-57971777
FAX: 86+512-57970778